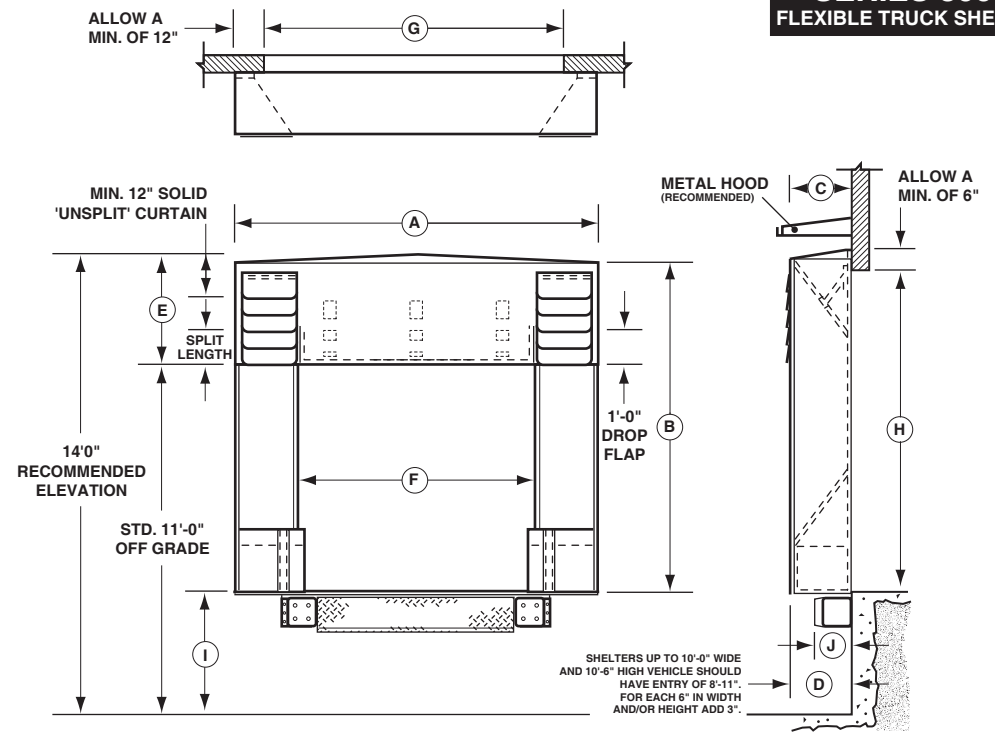
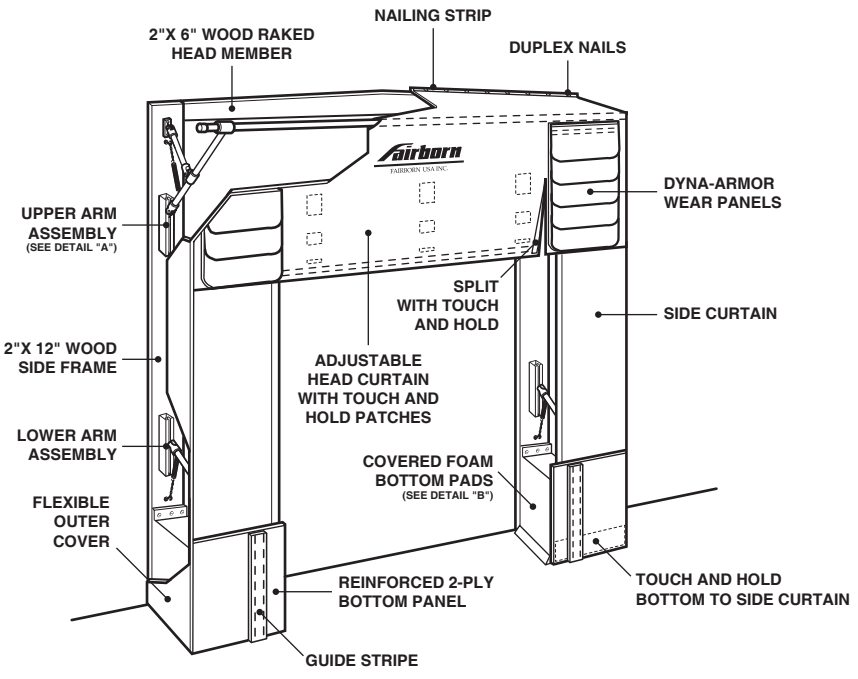
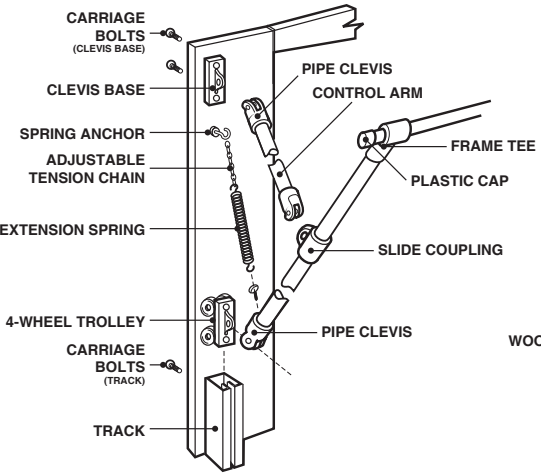


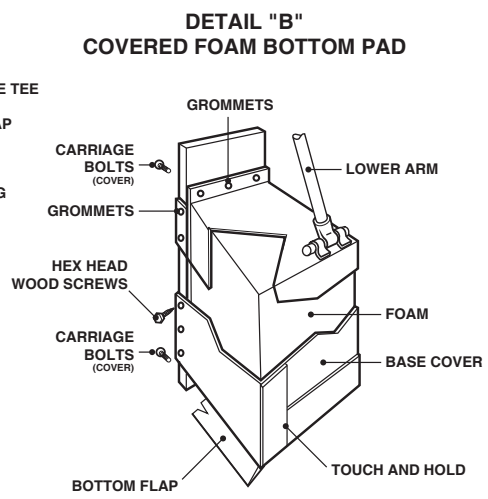
**SERIES 3000
FLEXIBLE TRUCK SHELTER**



PLAN VIEW



**DETAIL "A"
UPPER ARM ASSEMBLY**



**DETAIL "B"
COVERED FOAM BOTTOM PAD**

<p>UNIT DATA</p> <p>— "A" SHELTER WIDTH (STD. 10'-6" THRU MAX. 11'-0")</p> <p>— "B" SHELTER HEIGHT (MAX. 12'-0" REFER TO ABOVE)</p> <p>— "C" TOP — "D" BOTTOM SHELTER PROJECTION (15", 20" 25" AND MAX. 30" PROJ.)</p> <p>— "E" HEAD CURTAIN LENGTH (INCLUDES STD. 1'-0" DROP FLAP)</p> <p>— "F" SIDE CURTAIN I.D. (STD. 7'-3")</p> <p>DRIVE APPROACH: <input type="checkbox"/> LEVEL <input type="checkbox"/> DECLINED <input type="checkbox"/> INCLINED</p> <p><small>*IF AN INCLINED DRIVE REQUIRES A GREATER THAN 3" DIFFERENTIAL IN TOP AND BOTTOM PROJ. THIS SERIES SHELTER IS NOT SUITABLE.</small></p> <p>RISE OR FALL PER LENGTH OF DRIVE APPROACH</p> <p>GENERAL INFORMATION</p> <p>— "G" DOOR WIDTH</p> <p>— "H" DOOR HEIGHT</p> <p>— "I" DOCK HEIGHT</p>	<p>— "J" DOCK BUMPER/LEDGE COMBINED PROJ.</p> <p><small>(ON A LEVEL DRIVE APPROACH THERE MUST BE A MINIMUM OF 6" PROJ. OR 4" IF OPTIONAL RECESSED HARDWARE IS UTILIZED. THE PROJ. MUST BE INCREASED APPROPRIATELY FOR A DECLINED DRIVE APPROACH.)</small></p> <p>— DISTANCE BETWEEN DOORS</p> <p>— CLEARANCE ABOVE DOOR</p> <p>— MIN. THRU — MAX. HEIGHT OF VEHICLES TO BE SERVICED (INDICATE THE MAJORITY)</p> <p>— DIM. OF VEHICLE'S REAR TAILGATE/ BUMPER EXTENSION AND APPROX. % TO BE SERVICED</p>	<p>FABRIC</p> <p><input type="checkbox"/> 1001 <input type="checkbox"/> 1004 <input type="checkbox"/> 1005 <input type="checkbox"/> 1006 <input type="checkbox"/> 1008</p> <p>OPTIONAL EQUIPMENT</p> <p><input type="checkbox"/> ROPE/PULLEY SYSTEM (HEAD CURTAIN)</p> <p><input type="checkbox"/> RECESSED HARDWARE</p> <p><input type="checkbox"/> NON-ROT WOOD PRESERVATIVE</p> <p><input type="checkbox"/> FORMED STEEL FRAME (MIN. 14 GAUGE)</p> <p><input type="checkbox"/> PAINTED <input type="checkbox"/> GALVANIZED</p>
	<p>BARRON EQUIPMENT COMPANY INC. OVERHEAD DOORS</p> <p>4710 N Brady St, Davenport, IA 52806 800-397-6690 VISIT US AT... WWW.BARRONEQ.COM</p>	
JOB:		
LOCATION:		
CONTRACTOR:		ARCHITECT:
APPROVED BY SIGNATURE:		