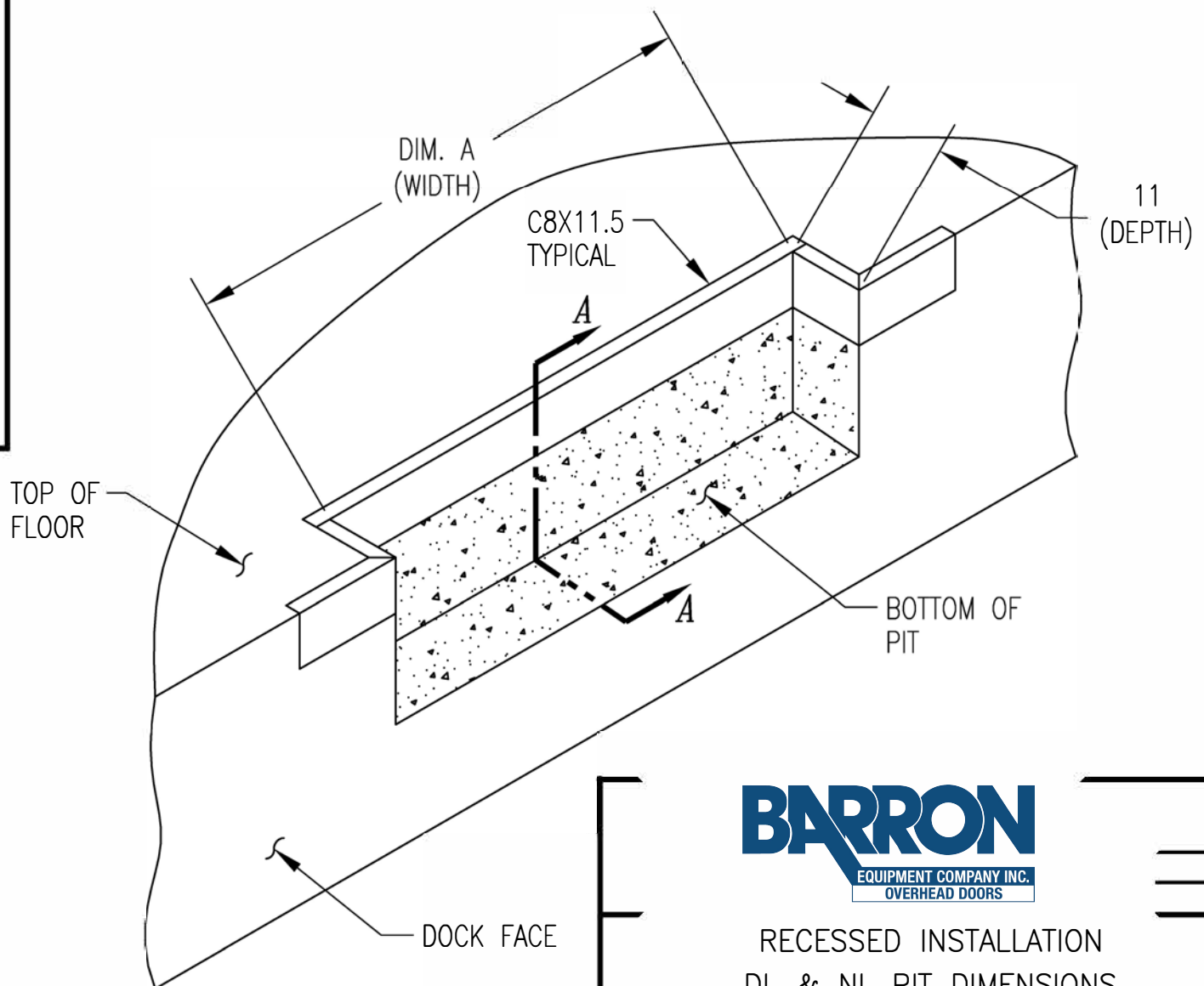


SECTION "A-A"



ISOMETRIC VIEW

<u>PRODUCTION REFERENCE CHART</u>	
<u>X-MODEL &amp; NEVERLIFT</u>	<u>DIM. A</u>
DL OR NL 66	71
DL OR NL 72	77
DL OR NL 78	83
DL OR NL 84	89



RECESSED INSTALLATION  
DL & NL PIT DIMENSIONS

MATERIAL	DRAWN BY SR	
UNLESS OTHERWISE SPECIFIED, ALL DIMENSIONS ARE IN INCHES WITH THE FOLLOWING TOLERANCES: FRACTIONAL: $\pm 1/32"$ DECIMAL: .00 = $\pm .01"$ .000 = $\pm .005"$ ANGULAR: $\pm 1'$	DATE 7/17/02	CHK'D
	DRAWING NO. <i>DPIT-0005</i>	