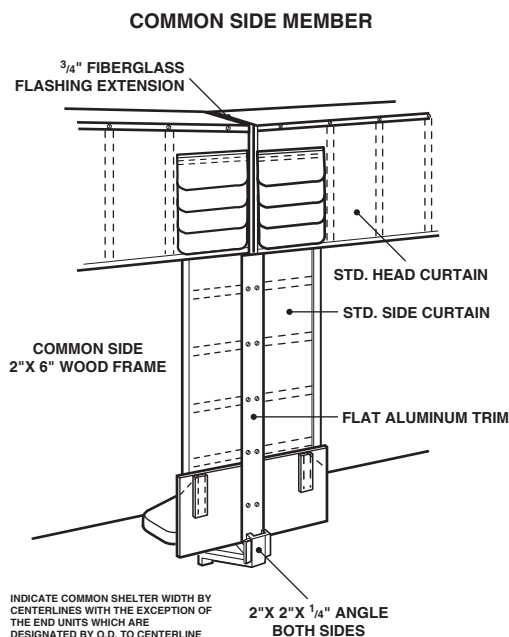
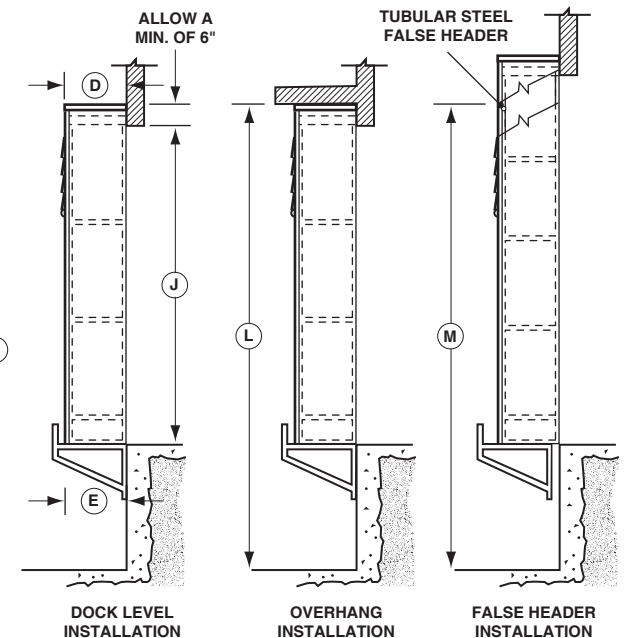
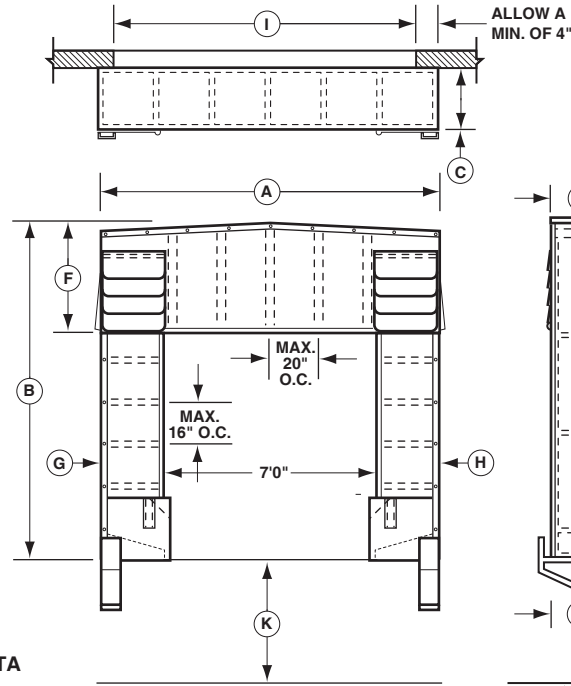
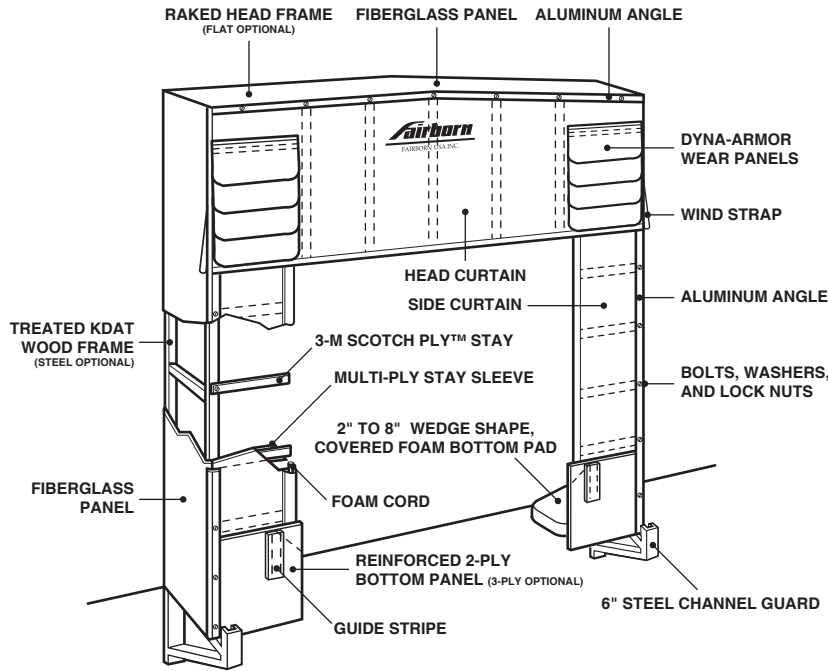
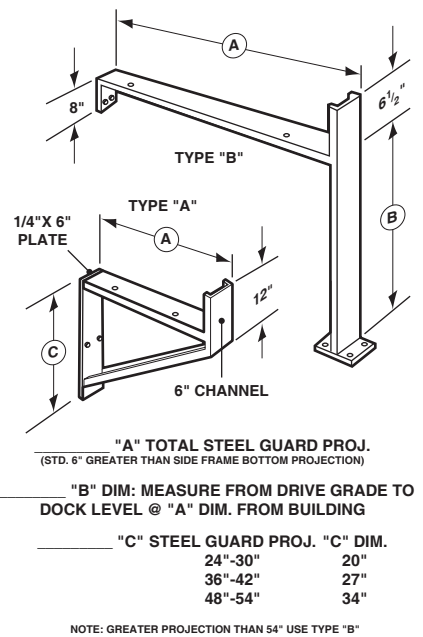


SERIES 2000
RIGID TRUCK SHELTER



STEEL GUARD DATA



PLAN VIEW

<p>TYPE</p> <input type="checkbox"/> DOCK LEVEL <input type="checkbox"/> OVERHANG <input type="checkbox"/> FALSE HEADER <input type="checkbox"/> GROUND LEVEL (NOT SHOWN) <input type="checkbox"/> CANTILEVER DOCK (NOT SHOWN) <input type="checkbox"/> SET BACK WALL (NOT SHOWN)	<input type="checkbox"/> "D" SIDE FRAME TOP PROJ. <input type="checkbox"/> "E" SIDE FRAME BOTTOM PROJ. <input type="checkbox"/> "F" HEAD CURTAIN LENGTH <input type="checkbox"/> "G" LEFT SIDE CURTAIN WIDTH <input type="checkbox"/> "H" RIGHT SIDE CURTAIN WIDTH <input type="checkbox"/> "I" DOOR WIDTH <input type="checkbox"/> "J" DOOR HEIGHT <input type="checkbox"/> "K" DOCK HEIGHT <input type="checkbox"/> "L" DIM. TO OVERHANG <input type="checkbox"/> "M" DIM. TO FALSE HEADER <small>(STD. INSTALLED @ 150" ABOVE GRADE)</small>	<p>OPTIONAL EQUIPMENT</p> <input type="checkbox"/> FULL "Z" (STAY PATTERN TOP OF SIDE CURTAIN) <input type="checkbox"/> 3-PLY BOTTOM REINFORCEMENT (BOTTOM OF SIDE CURTAIN) <input type="checkbox"/> COMMON SIDE MEMBER <input type="checkbox"/> TUBULAR STEEL FRAME <input type="checkbox"/> PAINTED <input type="checkbox"/> GALVANIZED <input type="checkbox"/> FLAT HEAD FRAME <input type="checkbox"/> 2X4 WOOD <input type="checkbox"/> TUBULAR STEEL <input type="checkbox"/> ACCESS DOOR (LARGE PROJ. SIDE FRAMES, ONLY) <input type="checkbox"/> PULL ROPE (ROPE & PULLEYS TO RAISE HEAD CURTAIN) <input type="checkbox"/> BOTTOM FILLER PANEL (GROUND LEVEL UNITS ONLY)
	<p>FABRIC</p> <input type="checkbox"/> DYNALON <input type="checkbox"/> 1003 <input type="checkbox"/> 1001 <input type="checkbox"/> 1006 <input type="checkbox"/> 1002 <input type="checkbox"/> 1007	<p>DIMENSIONS</p> <p>"A" SHELTER WIDTH (6" INCREMENTS) (RECOMMENDED 11'-0" MIN. - 13'-0" MAX.)</p> <p>"B" SHELTER HEIGHT (6" INCREMENTS) (RECOMMENDED 11'-0" MIN. - 15'-0" MAX. EXCEPT GROUND LEVEL TYPE)</p> <p>"C" HEAD FRAME PROJ.</p>
<p>BARRON EQUIPMENT COMPANY INC. OVERHEAD DOORS</p>		
<p>4710 N Brady St, Davenport, IA 52806 800-397-6690 VISIT US AT... WWW.BARRONEQ.COM</p>		
<p>JOB: _____</p>		
<p>LOCATION: _____</p>		
<p>CONTRACTOR: _____</p>		<p>ARCHITECT: _____</p>
<p>APPROVED BY SIGNATURE: _____</p>		