



*Barron Equipment
4710 N Brady St
Davenport, IA 52806
1-800-397-6690*

Series 1200 Foam Dock Seal With Adjustable Head Pad

All Models

Installation Instructions



Do not install this product unless you read and understand the Warnings and Installation Instructions contained in this manual. Failure to do so could result in serious injury or death.

SERIES 1200 FOAM DOCK SEAL

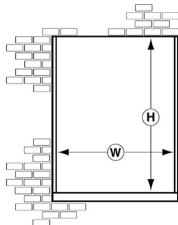
Installation Instructions

CHECK FIRST:

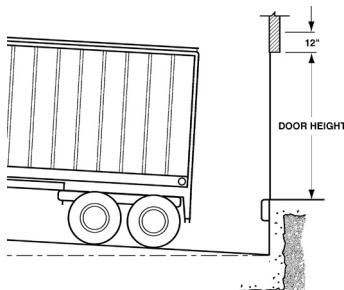
To ensure proper measurements to accommodate the Dock Seal you are installing, check the following:

A. Check the door height and width to verify the side & head pads are properly sized.

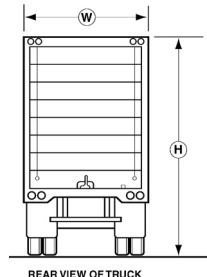
B. It is recommended the head and/or side pads be compressed not more than a maximum of 6"; nor more than 45% of the total projection. A minimum of 4" compression is advised to compensate for vehicles unevenly spotted against the building.



C. If the approach is not level, check to be sure the side pads taper to accommodate the angle of the truck. Also on a tapered drive, follow Step B for both the top and bottom of the seal, allowing for the recommended compression.



D. Check the heights of incoming carriers that will be utilized at this door, to ensure that the head pad is of proper elevation to accommodate the height range of these vehicles.



E. In 95% of installations, the inside edge of the face of the side pads shall have a 7'-6" I.D. If achieving the 7'-6" dimension requires extending the wood backing of the side pads into the door opening width, use the following recommendation:

Weld or anchor a structural angle the full length of the side jambs, not allowing any portion of the wood backing to be exposed into the door opening. It is appropriate to lag through the leg of the angle into the back of the wood approximately 1" from the edge of the board. (NOTE: Right and Left is determined from the outside looking at the building).

⚠ WARNING

Improper lifting or attachment of seal/shelter can cause serious injury or death.

Installation requires:

- A structurally sound building wall,
- Barricades to keep people away from the area,
- Proper attachment of anchoring devices,
- Two or more people,
- A lifting device capable of lifting at least 500 lbs. at the installation angle.

If you have questions, contact your supervisor, your local Fairborn distributor or Fairborn USA at 1-800-262-1188.

INSTALLATION:

1. Familiarize yourself with the adjustable head pad hardware and mechanisms.

2. Determine the centerline of the door width.

3. Using 1/2 of the dimension of the head pad length, as referred to above, measure from the door width's centerline to establish vertical I.D. position of the side pads.

4. The SIDE PADS must be installed level, plumb, and exactly parallel with each other. If the side pads are flush with the doorjamb, all standard FLAT and ANGLE MOUNTING BRACKETS can be utilized. It will require (2) or (3) ANGLE and FLAT BRACKETS per pad depending on length and projection. (Over 8'-0" long requires (3) ea. over 18" projection requires (3) ea.).

A. The FLAT BRACKETS are secured by means of welding or anchoring the slotted portion into the doorjamb allowing precisely 1-7/16" projecting away. (Position brackets at the bottom of the track and 1'-6" from bottom of side jamb centering the optional one).

B. Pre-drill and anchor ANGLE BRACKETS to the outside edge of the side pad wood backing. The brackets should be mounted keeping the slotted leg, which attaches to the building face, flush with the wood back. (Space brackets 1'-6" from top and bottom of side pad centering the optional one).

5. Position and anchor the side pads by holding them against the premounted FLAT BRACKETS mounted in the jamb. (Be sure to pre-drill the wood back). Anchor the ANGLE BRACKETS to the building face. Right and left is determined by the air pocket pointing outward.

NOTE: If the side pads are not flush with the doorjamb, install ANGLE BRACKETS by following step #4B and complete the jamb installation by following the 1st paragraph section D.

6. Remove upper TRACK STOP BOLTS. The head pad will be installed from the top with the air pockets pointing down and the FOLLOWER CURTAIN leading off from the top attached edge. Once the head pad is in the tracks check for smooth vertical movement, then reinstall the TRACK STOP BOLTS.

7. Check that the PULL STRAP has been pre-attached to the underside of the head frame near the left end.

8. Position the ROLLER CURTAIN SHAFT across the top of the head pad sliding each end into a flanged bearing. Anchor the BEARINGS to the appropriate bearing bracket of the TRACK ASSEMBLIES. Mount the BEARINGS to the O.D. of the brackets, with the provided serrated bolts, keeping the nuts pointing outward.

One end of the ROLLER CURTAIN SHAFT extends further to the O.D. of the unit. This end will extend to the left side to accept the cable drum. Install the CABLE DRUM with the (2) provided machine screws with the hub pointing inward. (Shaft to extend through and be flush at end).

9. Attach the CABLE to the COUNTER-WEIGHT clevis with provided hardware.

10. Attach the CABLE and the COUNTER-WEIGHT to the CABLE DRUM so the cable will feed from the front, away from the building. This will reduce the chance of weight making contact with the building face.

11. Secure square and straight by the means of attached velcro, the FOLLOWER CURTAIN to the ROLLER CURTAIN SHAFT so it will feed from the rear (the point closest to the building face).

12. Manually roll the FOLLOWER CURTAIN onto the ROLLER CURTAIN SHAFT raising the head pad 1" off the track bottom end caps, then clamp the shaft from turning. (Be sure the curtain is straight, taut, and wrinkle free. (To adjust follow step #11).

13. With the head pad in the condition as described in step #12, manually wrap the cable into the cable drum grooves feeding the wrap from the O.D. inward. Continue wrapping the cable until the clevis of the COUNTER-WEIGHT makes contact with the CABLE DRUM.

IMPORTANT NOTE:

When the head pad's bottom guide pins are elevated 1" above the track bottom end caps, the counter-weight clevis must be in contact with the cable drum. This eliminates the roller curtain shaft from feeding an excess of curtain, causing it to become unattached and/or loose.

14. Encompass the ROLLER CURTAIN SHAFT and the CABLE DRUM with the ALUMINUM HOOD, concealing them from the elements.

15. Caulk and fill all voids. Clean pads and hardware as required. Clear the dock area of any debris resulting from installation procedure.

SUGGESTED MOUNTING METHODS:

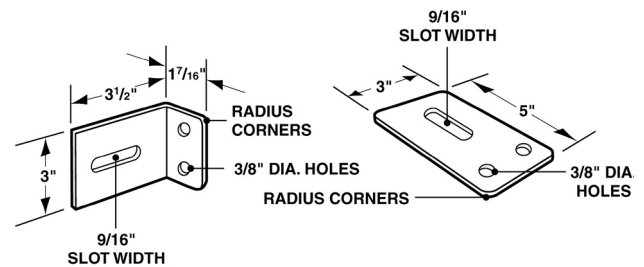
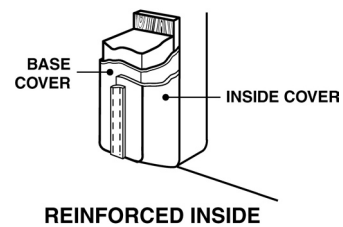
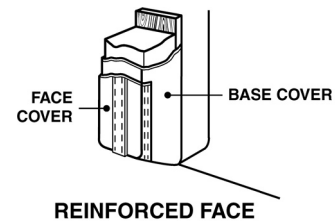
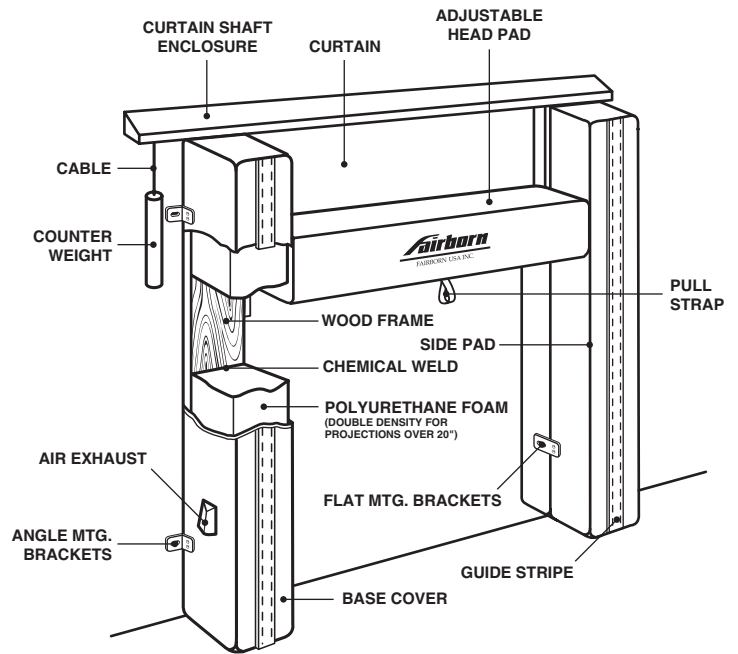
(Mounting anchors not included.)

Concrete or Brick Wall: Try to hit mortar joints. Use 1/2" or 3/8" x 3" expansion anchors. use through-bolt fastening if anchors will not hold, 3/8" threaded rod is recommended.

Precast Concrete: Same as above.

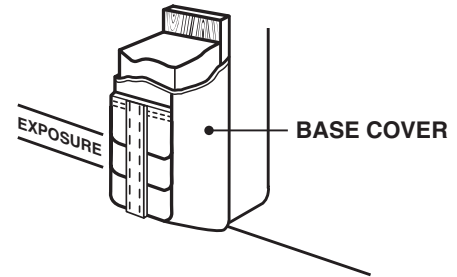
Metal Skin Building: Through-bolt fastening as above. Use a back-up plate (steel or wood) to support bolts or anchor through existing building horizontal and vertical structural members when possible.

NOTE: Dock Seals must have adequate bumper protection, 4" minimum.



ANGLE AND FLAT MOUNTING BRACKETS

OPTIONAL DYNA-ARMOR® PLEAT:

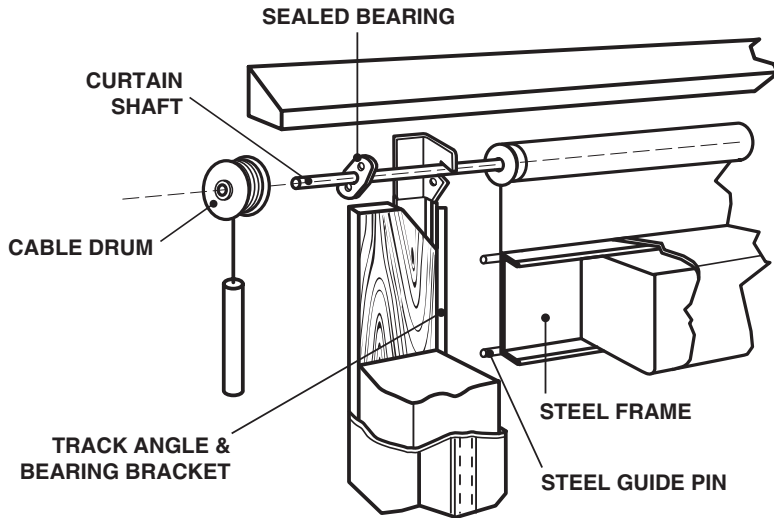


DYNA-ARMOR PLEATS

4" EXPOSURE

8" EXPOSURE

16" EXPOSURE



LIMITED PRODUCT WARRANTY

GENERAL

FAIRBORN USA INC. EXTENDS THIS LIMITED WARRANTY TO THE ORIGINAL BUYER AND WARRANTS THAT ALL PRODUCTS MANUFACTURED BY FAIRBORN SHALL BE FREE FROM ORIGINAL DEFECTS IN WORKMANSHIP AND MATERIALS FOR ONE YEAR FROM DATE OF SHIPMENT, PROVIDED SAME HAVE BEEN PROPERLY SIZED FOR THE APPLICATION, STORED, INSTALLED, SERVICED, MAINTAINED AND OPERATED. THIS WARRANTY SHALL NOT APPLY TO PRODUCTS WHICH HAVE BEEN ALTERED OR REPAIRED IN ANY WAY SO AS, IN FAIRBORN'S JUDGMENT, AFFECTS ITS PERFORMANCE OR RELIABILITY, NOR WHICH HAVE BEEN IMPROPERLY INSTALLED OR SUBJECTED TO MISUSE, NEGLIGENCE, OR ACCIDENT, OR INCORRECTLY USED IN COMBINATION WITH OTHER SUBSTANCES. COMPENSATION FOR PRODUCTS HAVING WEAR AND TEAR CAUSED BY NORMAL USAGE IS NOT PROVIDED FOR BY THIS WARRANTY.

DYNALON

IN CONSIDERATION OF THE SAME CONDITIONS AND RESTRICTIONS AS STATED ABOVE, DYNALON IS WARRANTED AGAINST THE EFFECTS OF WEATHERING FOR A PERIOD OF FIVE YEARS AS DESCRIBED WITHIN. AS PART OF THIS AGREEMENT THE TERM "WEATHERING" IS DEFINED AND LIMITED TO THE EFFECTS OF SUNLIGHT (ULTRAVIOLET RADIATION), WATER (ATMOSPHERIC PRECIPITATION), COLD, AND HEAT. THIS WARRANTY IS NOT APPLICABLE IF THE DYNALON HAS BEEN EXPOSED OR SUBJECTED TO CORROSIVE AGENTS, CHEMICALS, OR MECHANICAL ABUSE.

IN THE EVENT THAT THE EFFECTS OF WEATHERING RENDER THE PRODUCT, CONSTRUCTED OF DYNALON, INOPERABLE DUE TO CRACKING, CHECKING, OR ULTRAVIOLET BREAKDOWN, THEN FAIRBORN USA INC., AFTER INSPECTION AND VERIFICATION, WILL FURNISH REPLACEMENT MATERIALS, AT NO COST TO CUSTOMER, TO FIX OR REPAIR AND/OR REPLACE THE INOPERABLE COMPONENTS. FAIRBORN SHALL NOT BE RESPONSIBLE FOR THE ON-SITE LABOR, FREIGHT, LOSS OF USE OR ANY OTHER EXPENSE RELATED TO THE AFOREMENTIONED CLAIM.