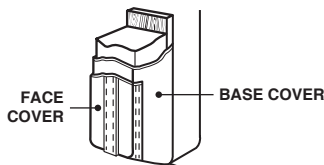
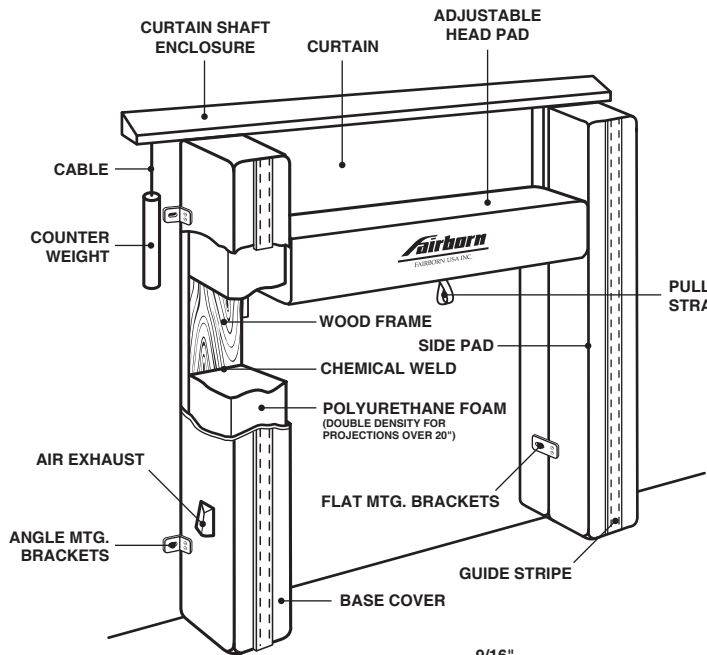
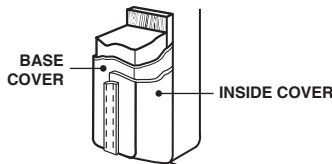


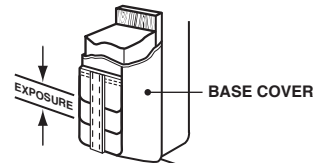
**SERIES 1200
ADJUSTABLE HEADER
DOCK SEAL**



REINFORCED FACE

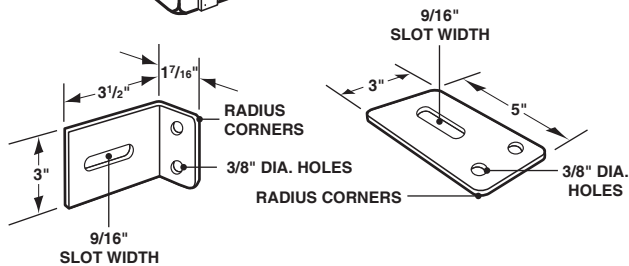
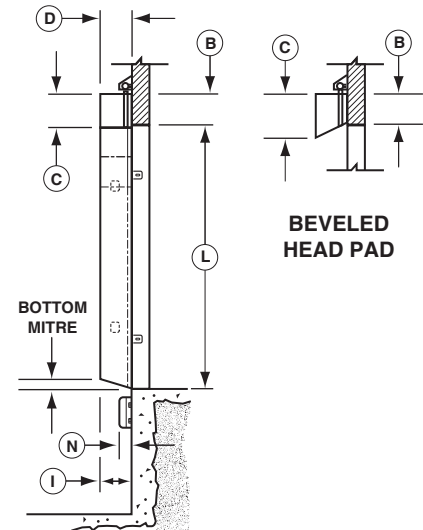
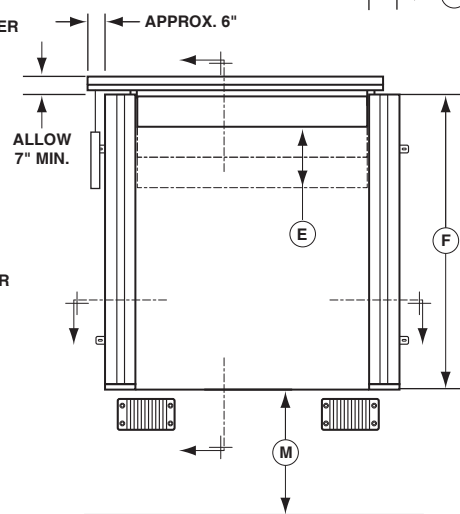
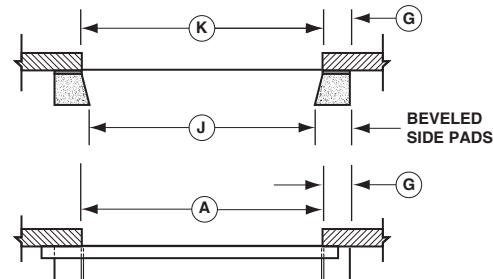


REINFORCED INSIDE

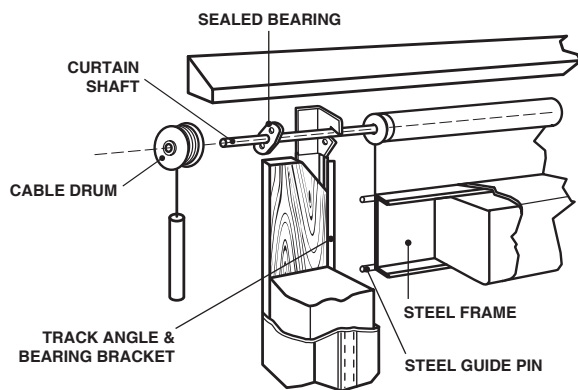


DYNA-ARMOR PLEATS

- 4" EXPOSURE
- 8" EXPOSURE
- 16" EXPOSURE



ANGLE AND FLAT MOUNTING BRACKETS



HEAD PAD DATA

- _____ "A" WIDTH AT REAR
- _____ "B" HEIGHT AT REAR
- _____ "C" HEIGHT AT FACE
- _____ "D" TOTAL PROJECTION
- _____ BASE FABRIC
- _____ COLOR

- BLOCKOUT (IF REQUIRED) PROJECTION
- _____ FABRIC
- _____ COLOR
- FACE REINFORCEMENT
- _____ FABRIC
- _____ COLOR
- UNDERSIDE REINFORCEMENT
- _____ FABRIC
- _____ COLOR

- HEAD PAD VERTICAL ADJUSTMENT "E"**
- 18" (STD.) 24" 30"
 - OTHER _____"

- FORMED STEEL BACK
- PAINTED GALVANIZED

SIDE PAD DATA

- _____ "F" LENGTH AT REAR
- _____ "G" WIDTH AT REAR
- _____ "H" WIDTH AT FACE
- _____ "D" TOTAL PROJ. AT TOP
- _____ "I" TOTAL PROJ. AT BOTTOM
- _____ "J" SIDE PAD FACE I.D.
- _____ BASE FABRIC
- _____ COLOR

- BLOCKOUT (IF REQUIRED) PROJ: _____ TOP _____ BOTTOM
- _____ FABRIC
- _____ COLOR

- FACE REINFORCEMENT
- _____ FABRIC
- _____ COLOR

- INSIDE EDGE REINFORCEMENT
- _____ FABRIC
- _____ COLOR

- DYNA-ARMOR PLEATS
- _____ FABRIC
- _____ COLOR
- _____ PLEAT EXPOSURE

- FORMED STEEL BACK
- PAINTED GALVANIZED
- NON-ROT BACK

GENERAL INFORMATION

- _____ "K" DOOR WIDTH
- _____ "L" DOOR HEIGHT
- _____ "M" DOCK HEIGHT
- _____ "N" DOCK BUMPER/LEDGE COMBINED PROJECTION

- DRIVE APPROACH:**
- LEVEL DECLINED INCLINED

FB-___ QTY. ___ SHEET ___ OF ___



4710 N Brady St, Davenport, IA 52806
800-397-6690
VISIT US AT... WWW.BARRONEQ.COM

JOB:

LOCATION:

CONTRACTOR:

ARCHITECT:

APPROVED BY SIGNATURE: