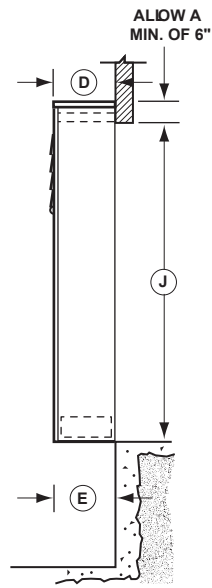
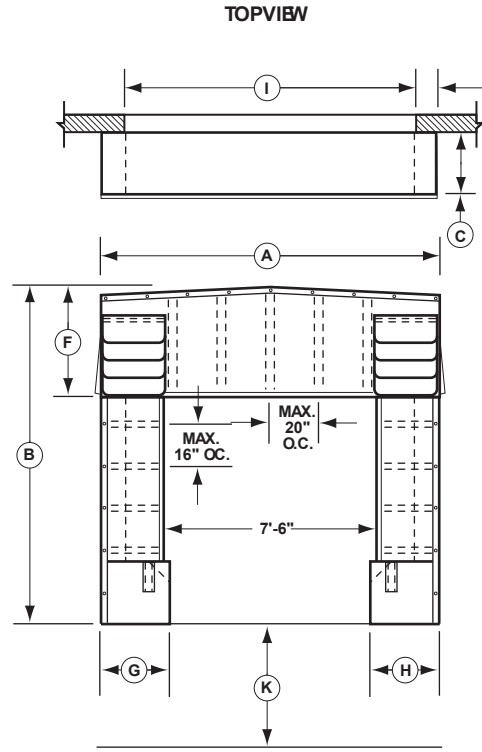
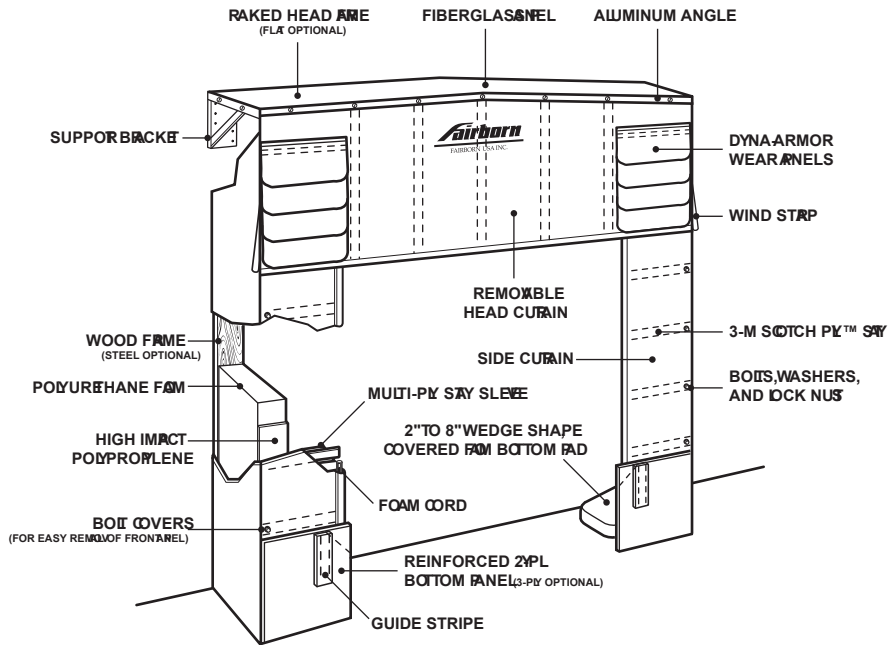


SERIES 2200
SOFT SIDEDRUCK SHEER

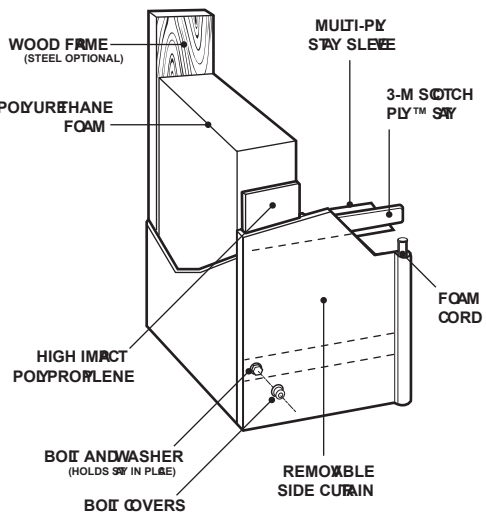
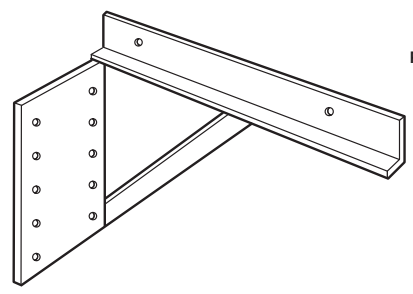


PLAN VIEW

SIDE VIEW

CUTAWAY CONSTRUCTION DETAIL

SUPPORT HEADER BRACKET DETAIL
(SUPPORTS FIBERGLASS HEAD PANEL)



HEAD CURTAIN AND SIDE CURTAINS ARE EASILY REMOVED BY SIMPLY TAKING OFF THE BOLT AND BOLT COVERS. THIS MAKES REPAIRING WORN CURTAINS EASY AND EFFICIENT

- TYPE
- DOCK MESH
 - OVERHANG
 - FALSE HEADER
 - GROUND MESH (NOT SHOWN)
 - ANTI-LIFT DOCK (NOT SHOWN)
 - SEE BACKWALL (NOT SHOWN)
- FABRIC
- DYNALON 1003
 - DYNAFLEX 1006
 - 1001 1007
 - 1002

- DIMENSIONS
- ___ "A" SHEER WIDTH
(6" INCREMENT)
(RECOMMENDED 12'-0" MIN. - 14'-0" MAX.)
 - ___ "B" SHEER HEIGHT
(6" INCREMENT)
(RECOMMENDED 11'-0" MIN. - 15'-0" MAX. EXCEPT GROUND MESH TYPE)
 - ___ "C" HEAD FRAME PROJ

- ___ "D" SIDE TOP PROJ
- ___ "E" SIDE BOTTOM PROJ
- ___ "F" HEAD CURTAIN LENGTH
- ___ "G" LEFT SIDE CURTAIN WIDTH
- ___ "H" RIGHT SIDE CURTAIN WIDTH
- ___ "I" DOOR WIDTH
- ___ "J" DOOR HEIGHT
- ___ "K" DOCK HEIGHT
- ___ "L" DIM TO OVERHANG
- ___ "M" DIM TO FALSE HEADER
(STD INSTALLED @ 15'0" ABOVE SLR)

- OPTIONAL EQUIPMENT
- FULL "Z" PATTERN TOP OF SIDE CURTAIN
 - 3-PLY BOTTOM REINFORCEMENT (BOTTOM OF SIDE CURTAIN)
 - TUBULAR STEEL HEAD FRAME
 - PAINTED GALVANIZED
 - FLX HEAD FRAME
 - ACROSS WOOD TUBULAR STEEL (FOR REFRIG. BLDG. USE HEADS/BOTTOM CURTAIN)
 - PULL ROPES (FOR REFRIG. BLDG. USE HEADS/BOTTOM CURTAIN)
 - BOTTOM MESH REINFORCEMENT (FOR GROUND MESH UNITS ONLY)
- FB _____ OF _____ SHEER _____ OF _____



4710 N Brady St, Davenport, IA 52806
800-397-6690
VISIT US AT... WWW.BARRONEQ.COM

JOB: _____

LOCATION: _____

CONTRACTOR: _____ ARCHITECT: _____

APPROVED SIGNATURE: _____