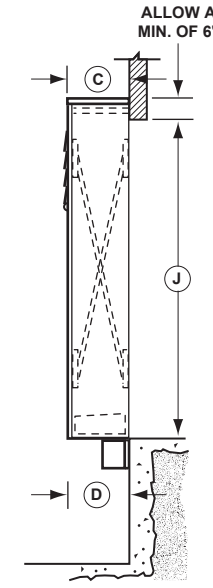
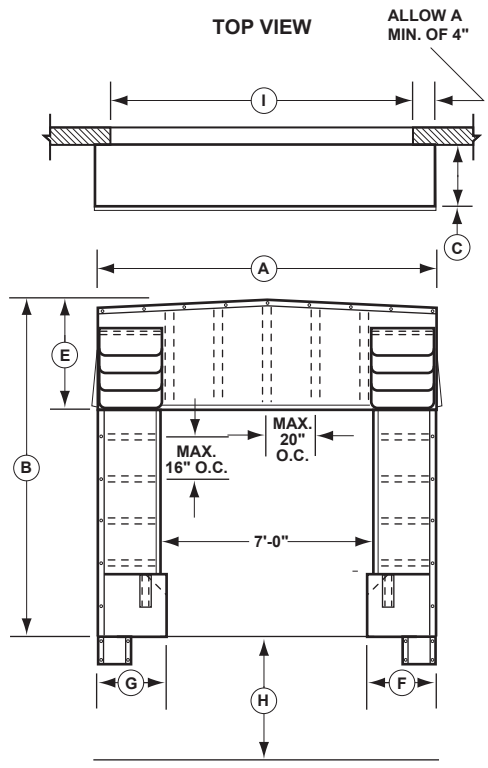
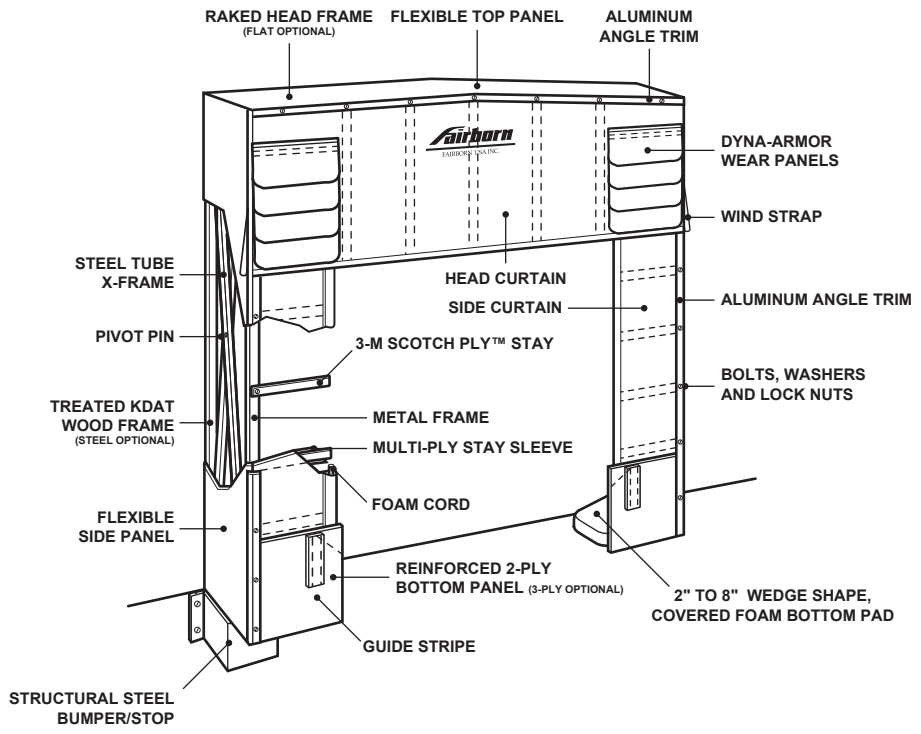
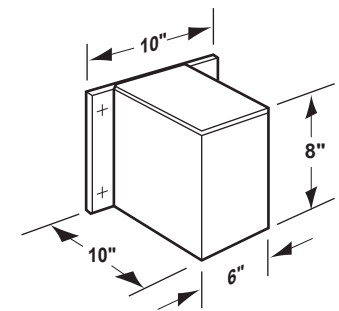
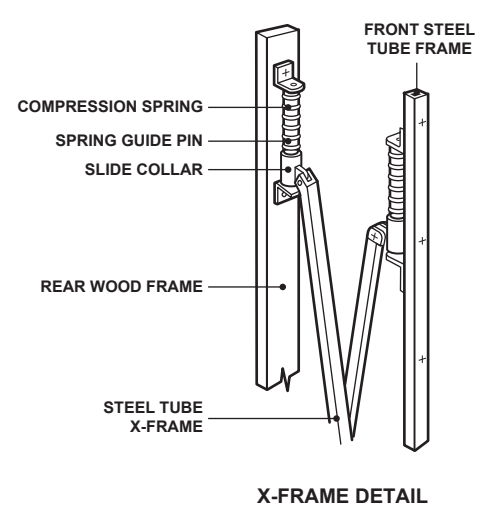


SERIES 2500
FLEXIBLE TRUCK SHELTER



PLAN VIEW

SIDE VIEW



_____ FABRIC TYPE	_____ "H" DOCK HEIGHT
_____ "A" SHELTER WIDTH	_____ "I" DOOR WIDTH
_____ "B" SHELTER HEIGHT	_____ "J" DOOR HEIGHT
_____ "C" UNIT TOP PROJ.	
_____ "D" UNIT BOTTOM PROJ.	OPTIONAL EQUIPMENT
_____ "E" HEAD CURTAIN	<input type="checkbox"/> ACCESS (LARGE PROJ. SIDE FRAMES, ONLY)
_____ "F" RIGHT SIDE CURTAIN	<input type="checkbox"/> PULL (ROPE & PULLEYS TO RAISE HEAD CURTAIN)
_____ "G" LEFT SIDE CURTAIN	<input type="checkbox"/> BOTTOM FILLER PANEL (GROUND LEVEL UNITS ONLY)



4710 N Brady St, Davenport, IA 52806
800-397-6690
VISIT US AT... WWW.BARRONEQ.COM

JOB: _____

LOCATION: _____

CONTRACTOR: _____ ARCHITECT: _____

APPROVED BY SIGNATURE: _____