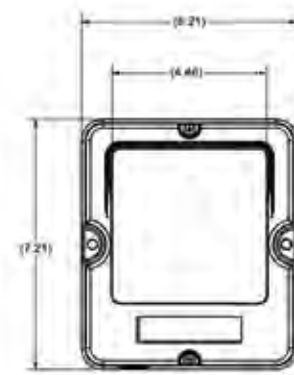
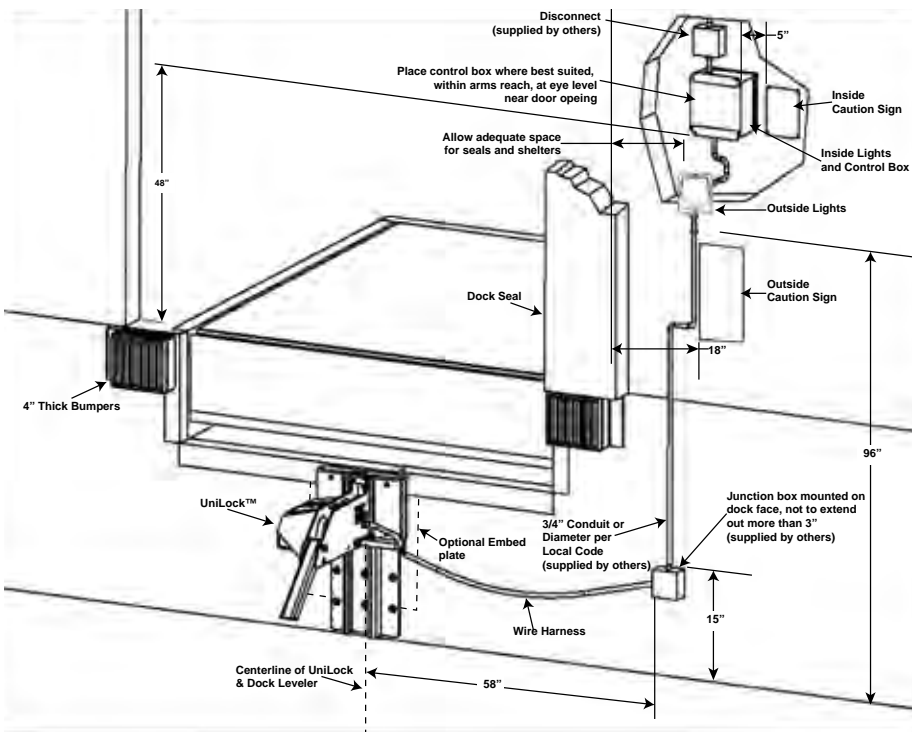
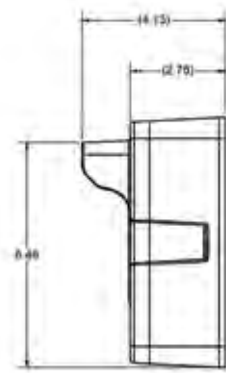
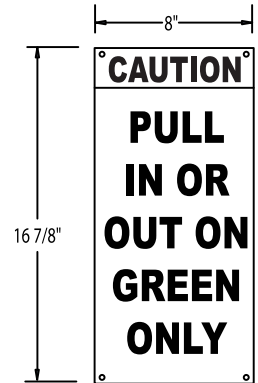


UniLock® Vehicle Restraint

Specification Sheet & Submittal



OSLA
(Outside Light Assembly)



Inside Signage



Outside Signage

Standard Features

Advanced cam design rotates hook away from Rear Impact Guard to release "RIG Wedge" pressure	Advanced 3-color light communication system
Universally effective on any obstructed RIG, including intermodal trailers with cover plates	On-demand, IP67-rated motor, submersion proof up to 1 meter
Locking mechanism maintains engagement on the trailer's Rear Impact Guard (RIG)	Automatically ensures safe capture or auto-stores
iDock® 2.0 Controls with dynamic message display	Automatically re-engages if the restraint is forced down
Low profile 9" carriage - service range 9" to 30" off grade	Exclusive designed gear motor keeps hook continuously engaged
Restraining force in excess of 32,000 lbs.	iDock 2.0 Controls connected online with optional myQ® Enterprise

General Description

All Poweramp® TPR UniLock® trailer positioned vehicle restraints are designed to secure a cargo trailer's Rear Impact Guard (RIG) to reduce the likelihood of premature trailer separation during the loading/unloading process. The UniLock vehicle restraint features an electric mechanical restraint mechanism, inside iDock control panel, exterior communication lights and instructional signs.

Exterior Lights

Low-profile exterior lights are standard with LED for extended life. One light shows a red X and a green circle for color-impaired individuals. A set of caution signs warns truck drivers to "Pull in or out on green only".



Construction

The UniLock vehicle restraint system is a trailer positioned restraint system designed to be permanently mounted to the loading dock foundation. Restraint back plate and housing shall be in a zinc finish for all weather protection. Once activated, the UniLock seeks the RIG and exerts positive pressure to reduce the possibility of premature trailer separation from the dock. The UniLock secures the trailer with over 32,000 lbs. of pull-out force. The motor is IP67 rated, making it submersion proof in up to 1 meter of water for 30 minutes.

Hooking Range & Capacity

The UniLock restraint system is designed to withstand a pulling force in excess of 32,000 lbs., giving an added margin of safety and protection. Maximum operational range is 4" to 10" horizontally from face of dock bumpers, and 9" to 30" vertically above drive approach.

Operation

As the truck backs into position, the RIG contacts the UniLock spring loaded structural steel housing which rides down its track, allowing the RIG to position itself on top of the housing. The exterior communication light is green and the interior light is red. Once trailer is positioned against the dock bumpers, the operator presses the ENGAGE button allowing the hook to secure the trailer to the loading dock. Once restrained, the interior light is green allowing the dock attendant to safely enter the trailer while the exterior light is red warning the driver not to pull away from the dock. The UniLock restraint maintains contact with the RIG and adjusts automatically with the trailer float motion to assure proper engagement at all times during the loading/unloading operation. After the loading is complete, the operator presses the RELEASE button, rotating the hook away from the RIG first to remove "RIG Wedge" pressure, and then lowering the hook to a safely stored position, which changes the interior light to red while the exterior light changes to green.

If the UniLock is unable to secure the trailer's RIG, the restraint will communicate the fault condition on the message display and by flashing an amber caution light. If bypass of the system is necessary, it is recommended that you secure the trailer by other means before proceeding with the loading/unloading process. In bypass mode the exterior light is red the interior amber caution light accompanies the green light indicating to the dock attendant to proceed with caution.

Electrical

The UniLock vehicle restraint is available as a stand alone unit or combined electronically in a single integrated control panel with your dock leveler selection. Electric motor is 1/10 HP TENV 115v single phase. Interior and exterior 12 volt LED lights are powered by an integral transformer located in the control panel. Electrical control panel is a NEMA 4X enclosure.



Please Note: Unless specifically noted on quotation, all electrical requirements, including mounting of control box, outside lights and signs, are the responsibility of others.

Warranty

All UniLock vehicle restraints feature a full one (1) year base warranty on all structural, mechanical and electrical parts, including freight and labor charges in accordance with Systems, LLC's Standard Warranty Policy. Systems, LLC warrants all components to be free of defects in materials and workmanship, under normal use, during the warranty period. This base warranty period begins upon the completion of installation or the sixtieth (60th) day after shipment, whichever is earlier.

Order Specifications

Optional Equipment

Check Options Desired

- Integrated Control Panel
- Restraint Engaged Interlock with Leveler
- Leveler stored interlocking
- Cantilever Bracket
- _____ Projection
- Wall Mounting Embed Plate

*Options must also be selected on the iDock Controls Spec Sheet

- Approach Plate with Bracing
(Brick and block wall recommended)
- Pit Floor Mounting Plate
- iDock 1.0 Controller (see 1.0 literature)
- Special NEMA _____ Enclosure
- Other _____

Required Information

CUSTOMER	_____
JOB	_____
LOCATION	_____
NUMBER OF UNITS	_____
MODEL	_____
SIZE	_____
REPRESENTED BY	_____
SALES REP	_____

Certified for Construction

BY _____

DATE _____

COMPANY _____

CITY & STATE _____

DRAWING # _____