

8

7

6

5

4

3

2

1

D

D

C

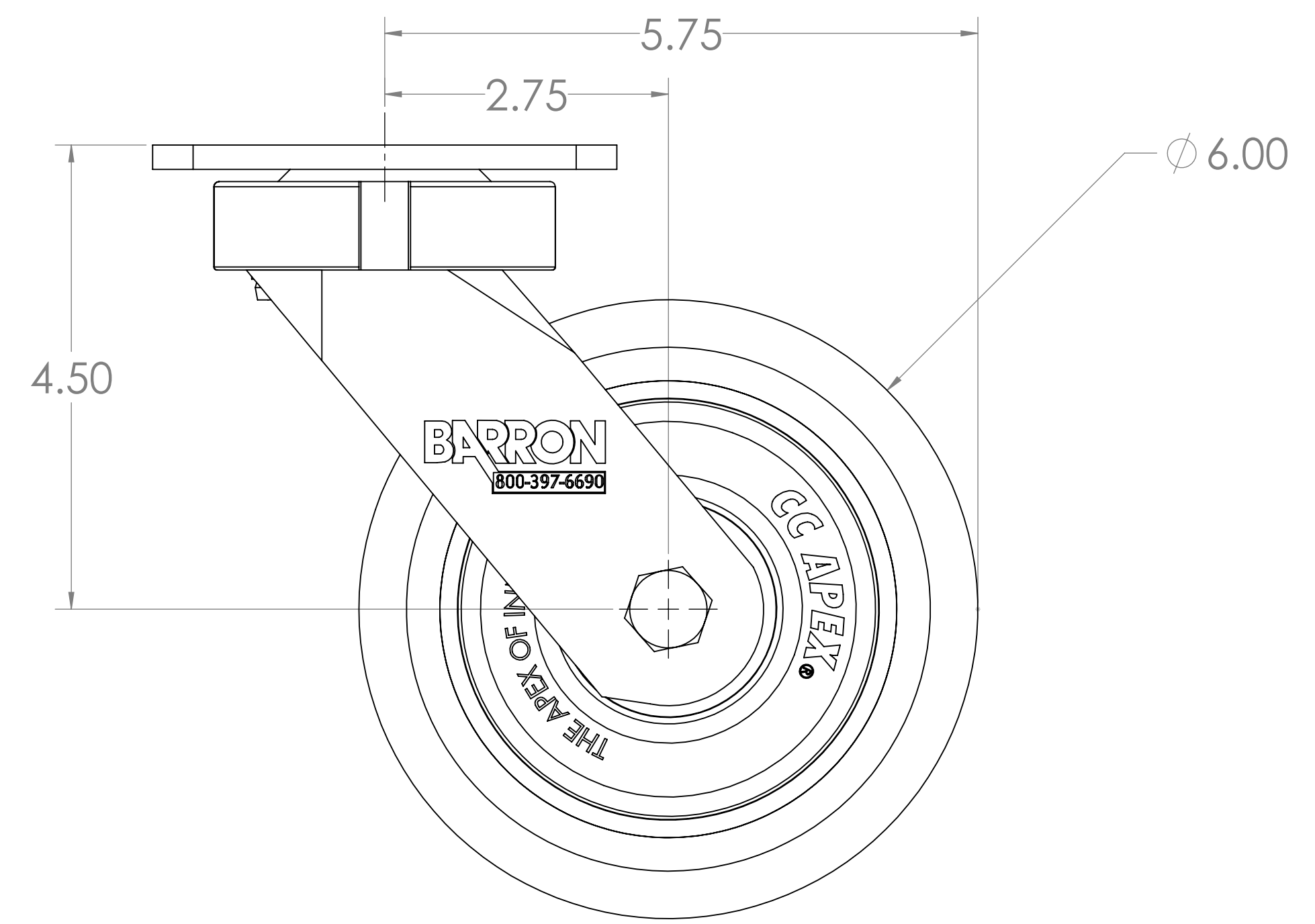
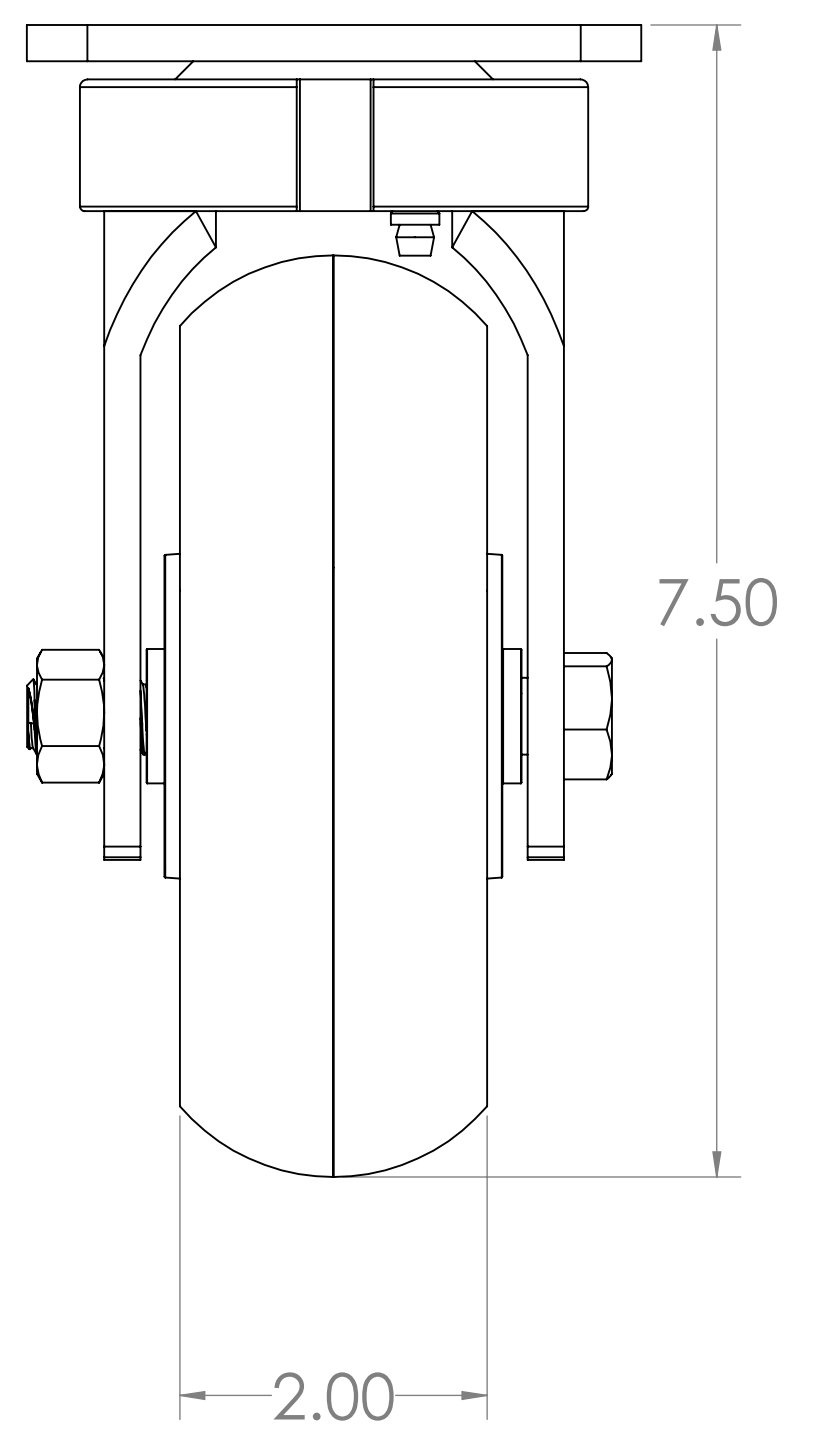
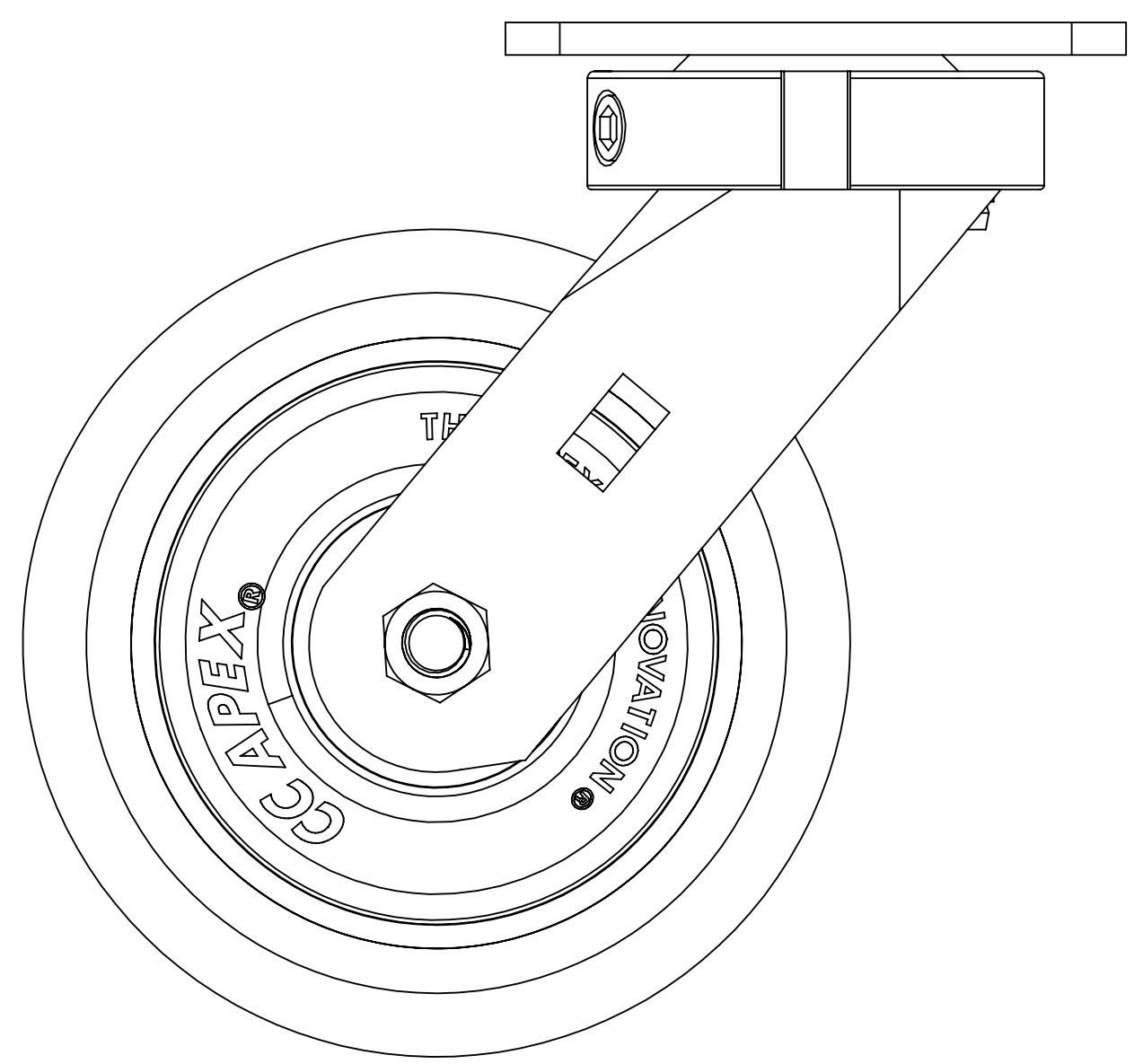
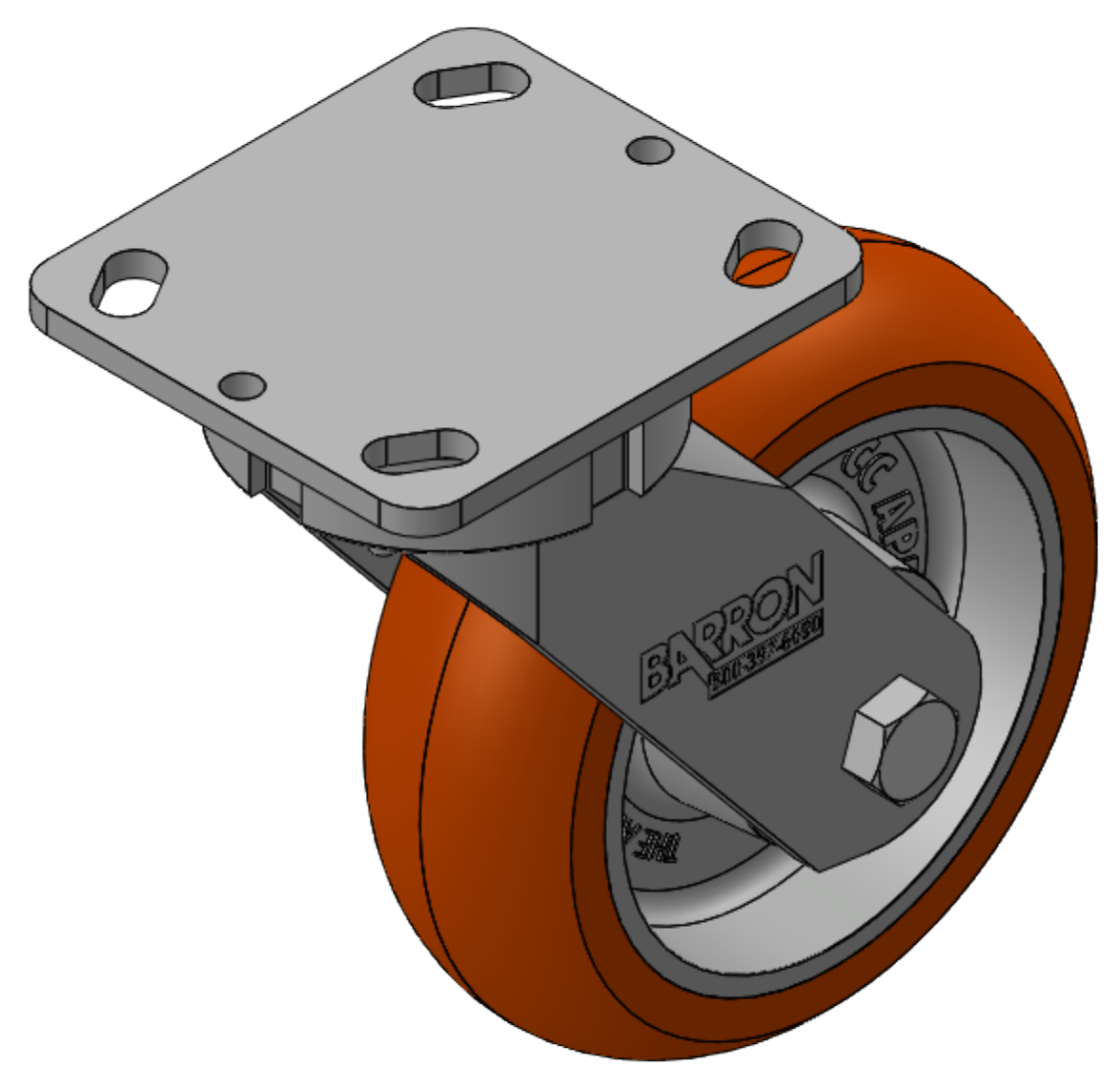
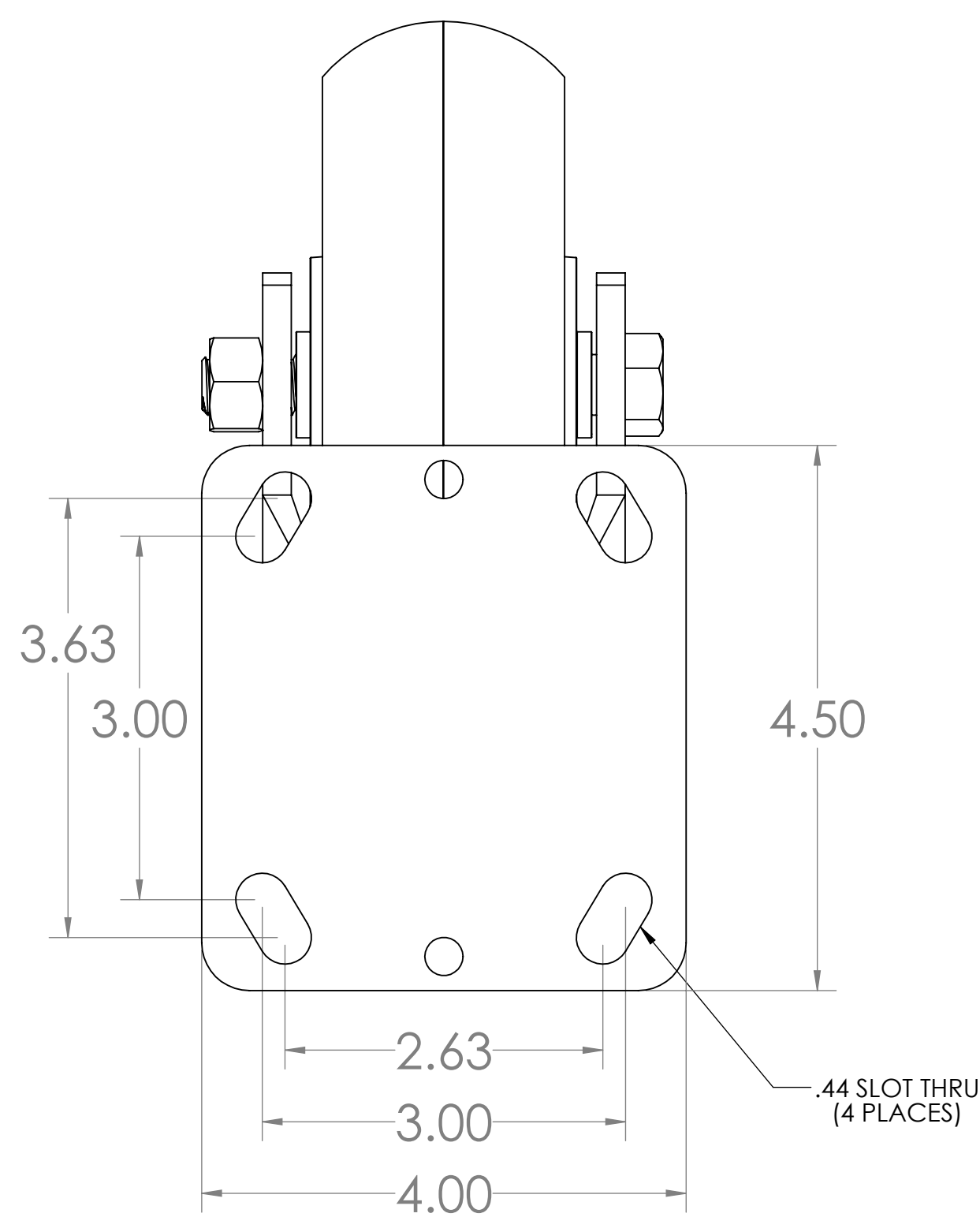
C

B

B

A

A



PROPRIETARY AND CONFIDENTIAL  
THE INFORMATION CONTAINED IN THIS  
DRAWING IS THE SOLE PROPERTY OF CASTER  
CONNECTION. ANY REPRODUCTION IN PART  
OR AS A WHOLE WITHOUT THE WRITTEN  
PERMISSION OF CASTER CONNECTION IS  
PROHIBITED.

UNLESS OTHERWISE SPECIFIED:  
DIMENSIONS ARE IN INCHES  
TOLERANCES:  
FRACTIONAL: ±1/8  
ANGULAR: ±1  
TWO PLACE DECIMAL ±.1  
THREE PLACE DECIMAL ±.005

BARRON EQUIPMENT COMPANY INC.  
4710 N Brady St, Davenport, IA 52806  
Phone: (800)-397-6690 Fax: (563)-391-1052  
Web: barroneq.com Projection:



TITLE: 60.62.50.APB		
DESCRIPTION: 6" CC Apex Extended-Lead Kingpinless Swivel Caster		
DRAWN: J.Green	DATE: 4/22/2019	WEIGHT: 6.56 LBS
CHECKED: S. Saad	SCALE: 1:1.25	SHEET: 1 OF 1

8

7

6

5

4

3

2

1