

8

7

6

5

4

3

2

1

D

D

C

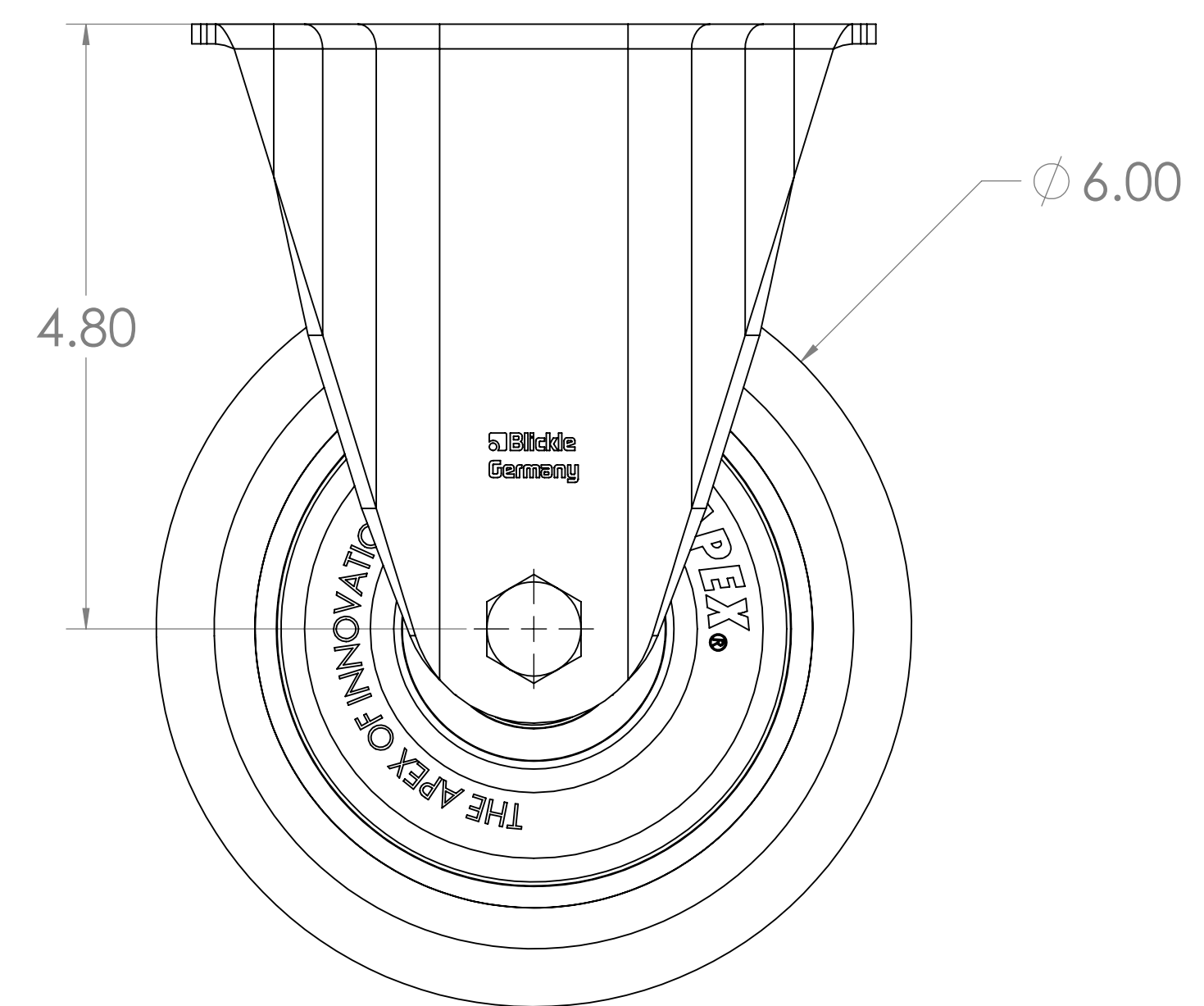
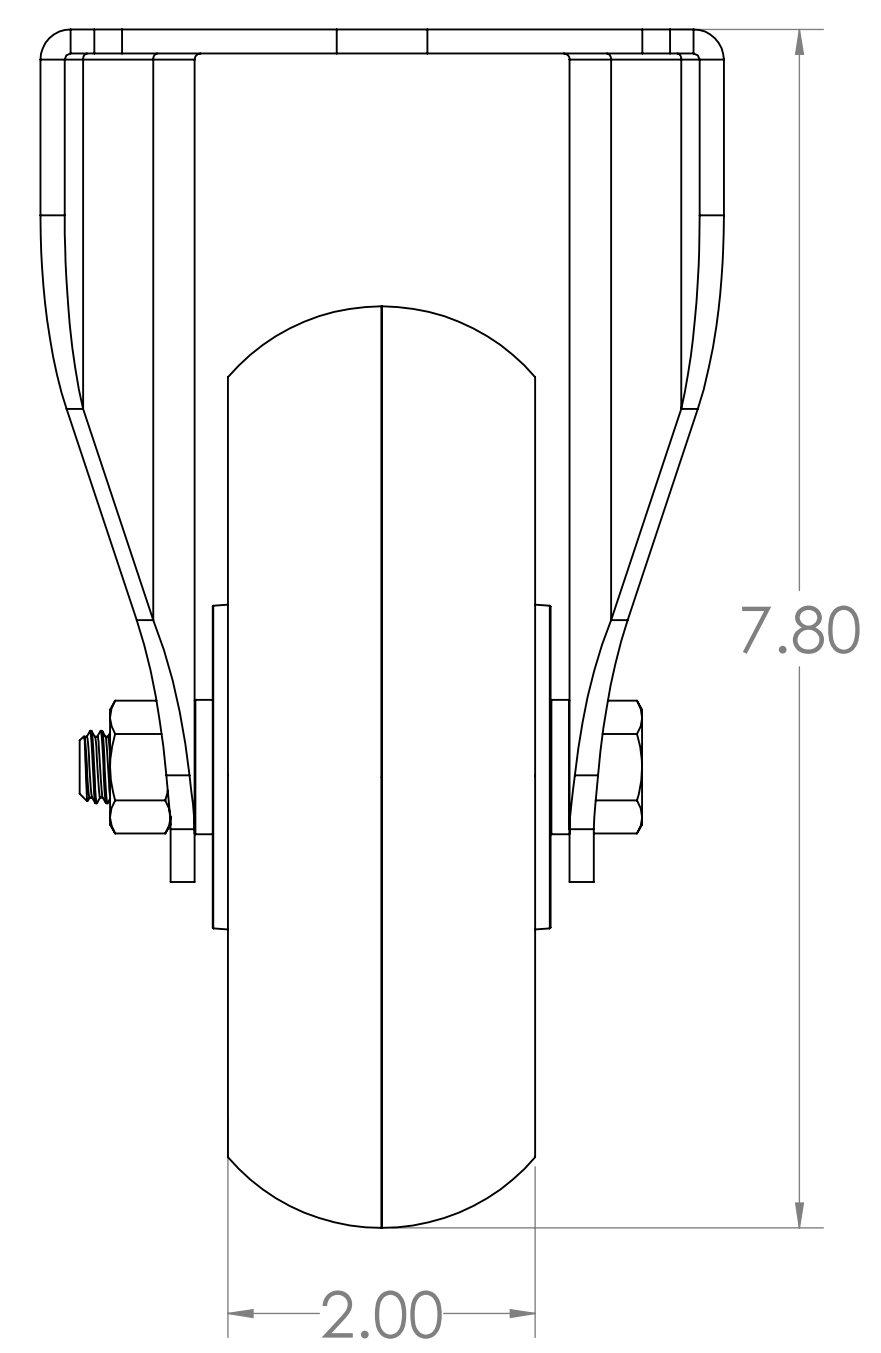
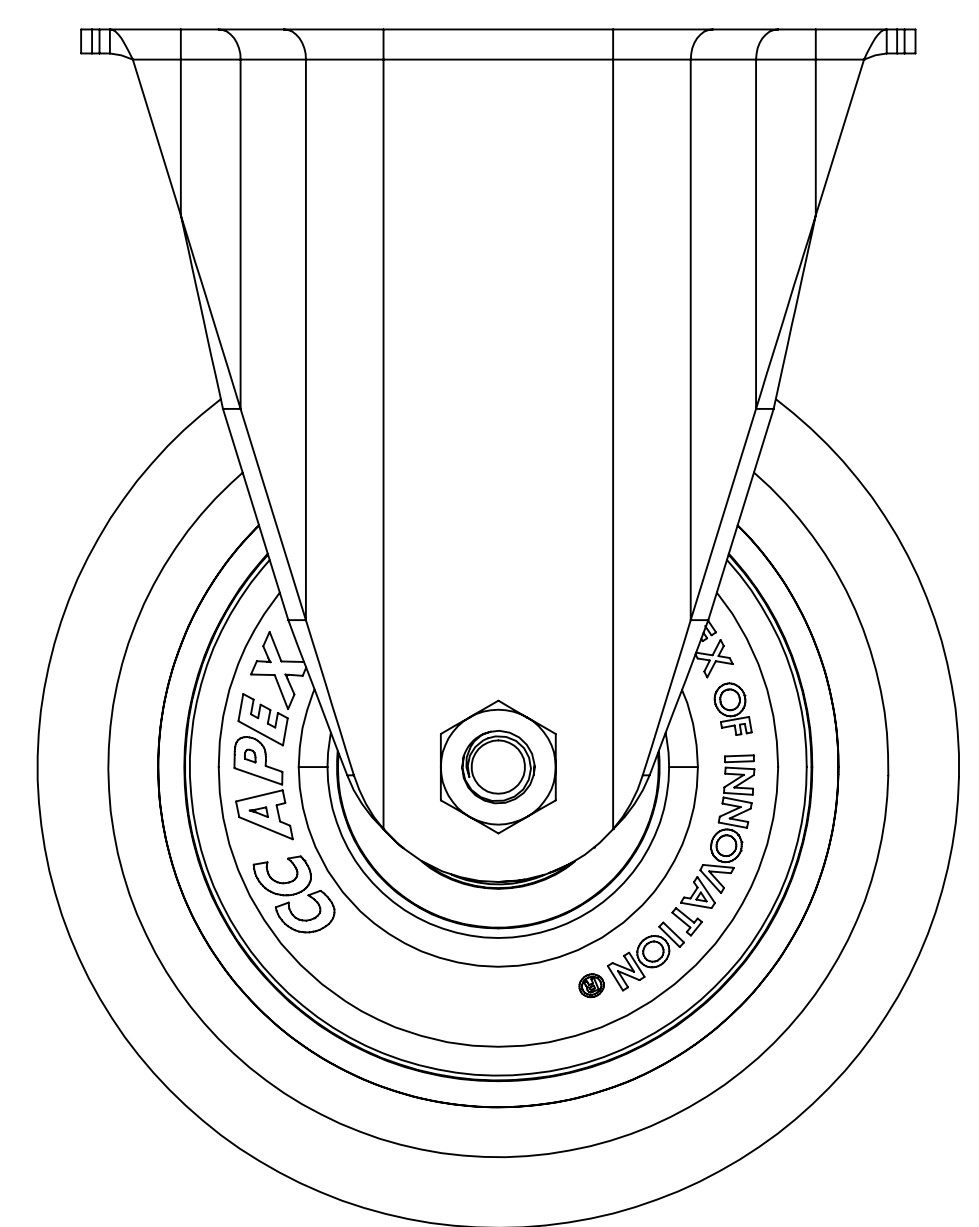
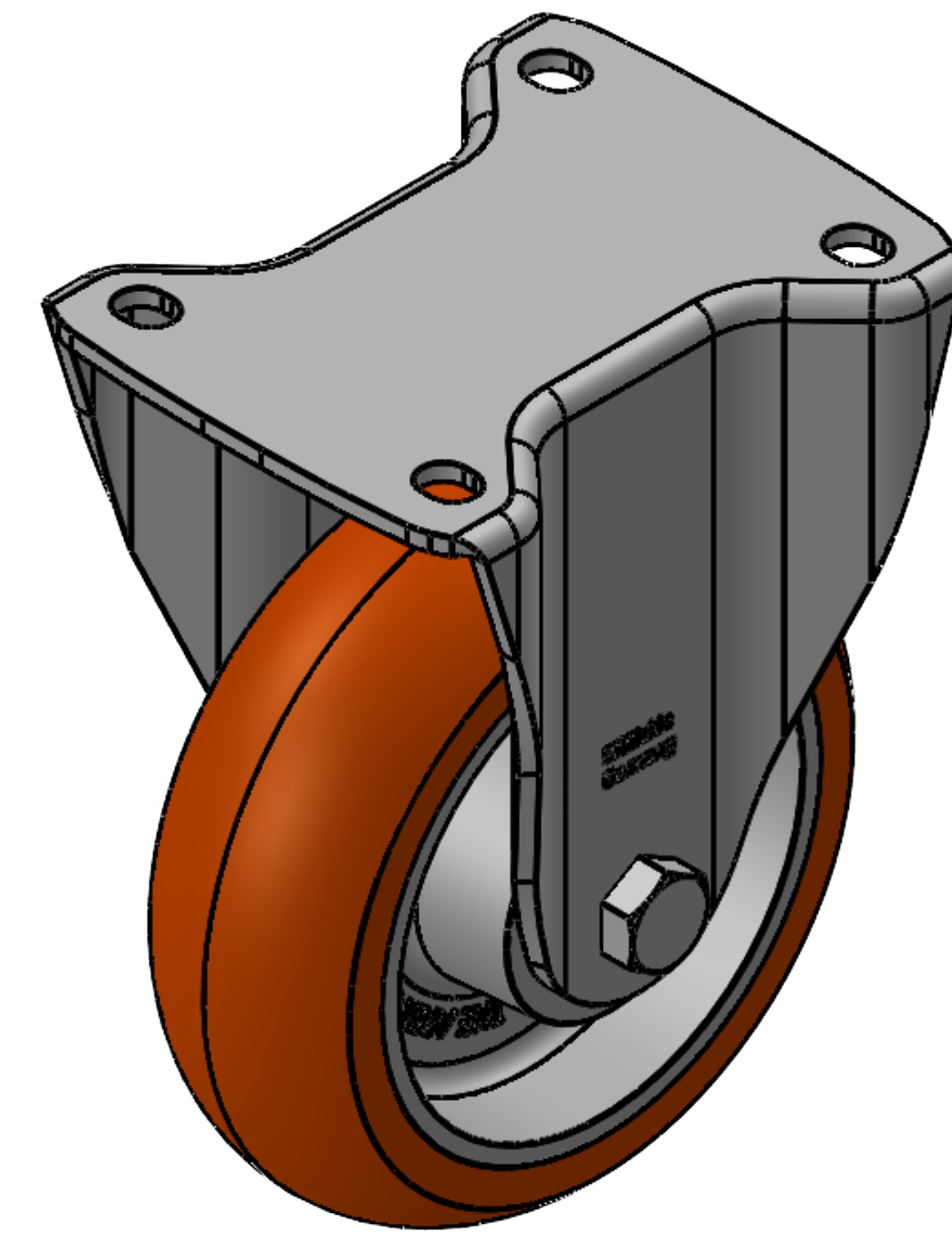
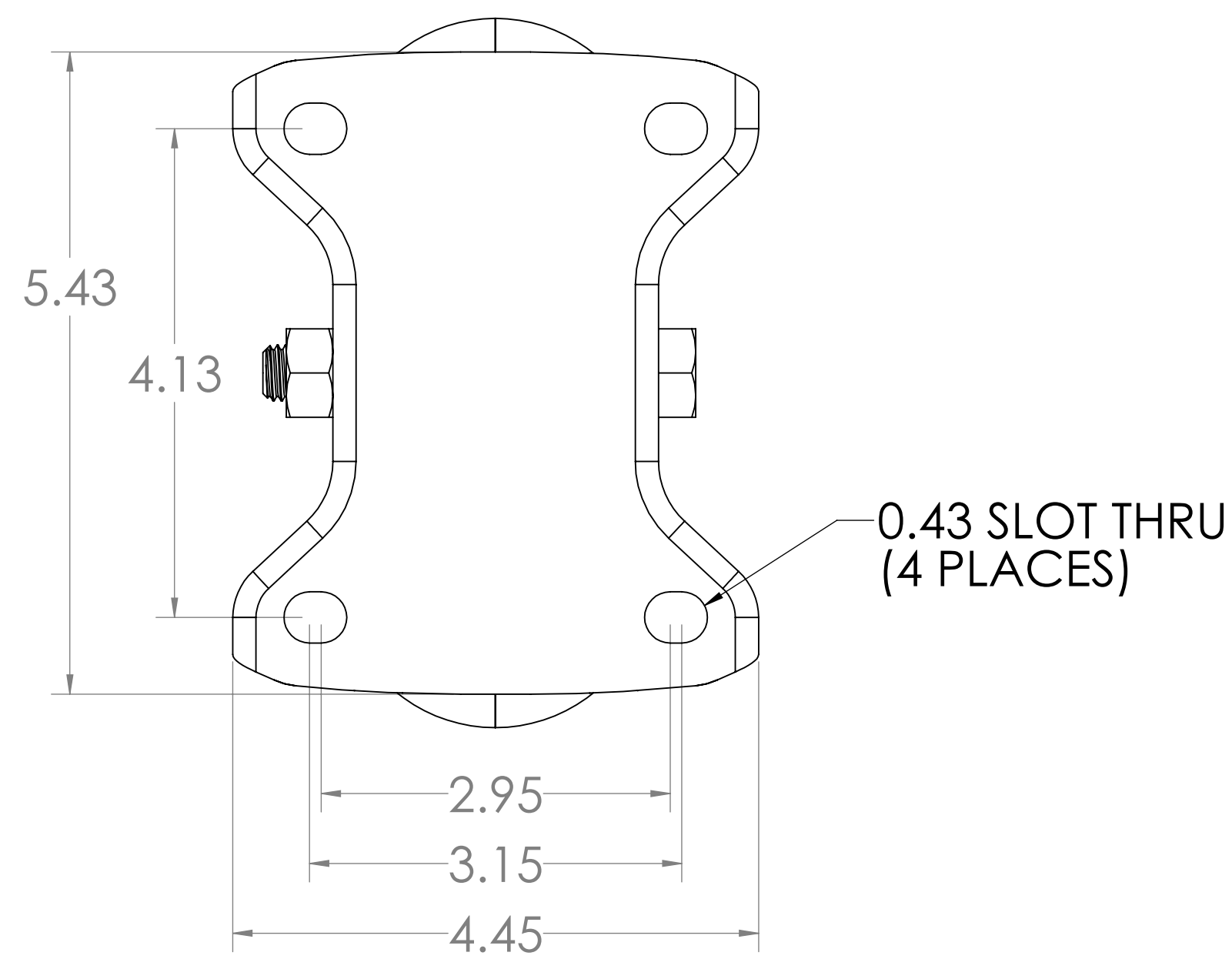
C

B

B

A

A



PROPRIETARY AND CONFIDENTIAL THE INFORMATION CONTAINED IN THIS DRAWING IS THE SOLE PROPERTY OF CASTER CONNECTION. ANY REPRODUCTION IN PART OR AS A WHOLE WITHOUT THE WRITTEN PERMISSION OF CASTER CONNECTION IS PROHIBITED.	UNLESS OTHERWISE SPECIFIED: DIMENSIONS ARE IN INCHES TOLERANCES: FRACTIONAL: ±1/8 ANGULAR: ±1 TWO PLACE DECIMAL: ±.1 THREE PLACE DECIMAL: ±.005	BARRON EQUIPMENT COMPANY INC. 4710 N Brady St, Davenport, IA 52806		TITLE: 141.62.58.RAPB DESCRIPTION: 6" CC Apex Rigid Caster
		Phone: (800)-397-6690 Web: barroneq.com	Fax: (563)-391-1052 Projection:	

8

7

6

5

4

3

2

1