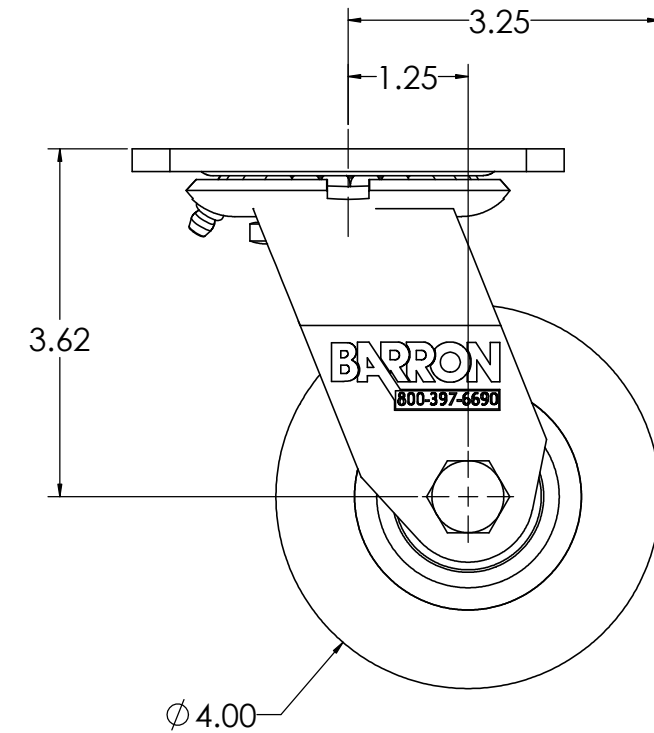
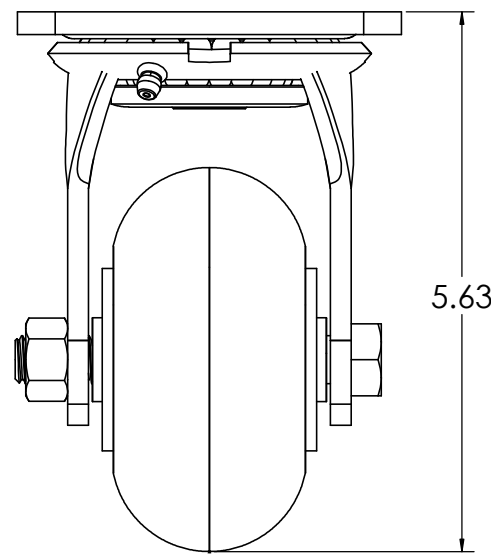
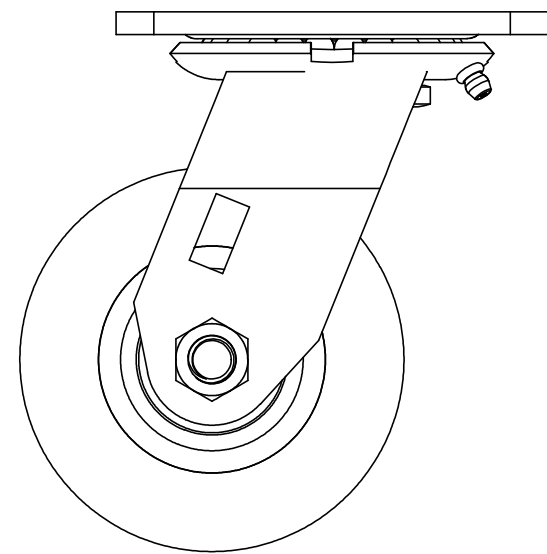
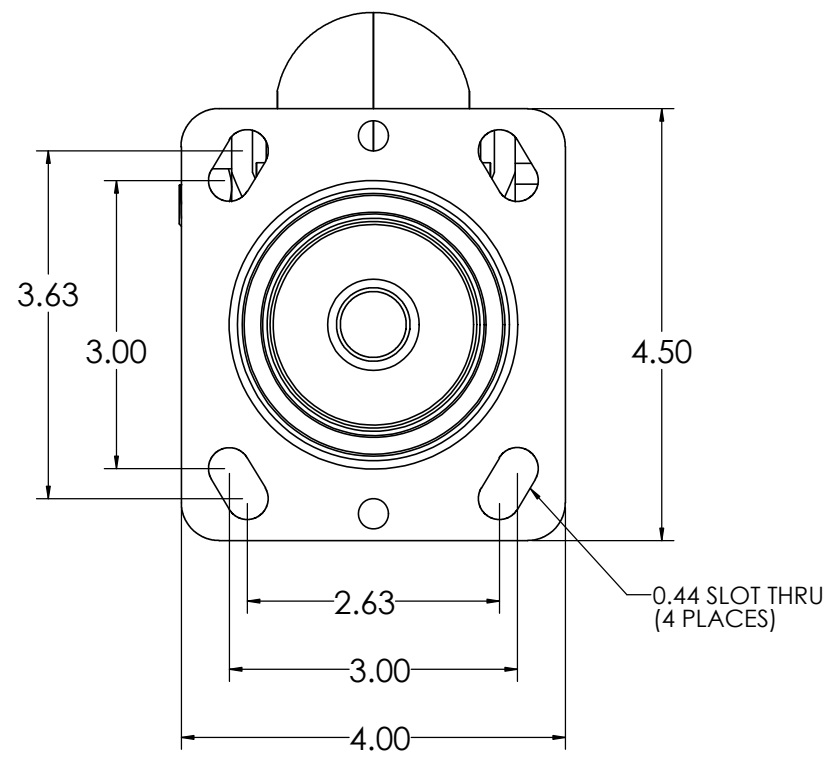


8 7 6 5 4 3 2 1

D
C
B
A

D
C
B
A



PROPRIETARY AND CONFIDENTIAL THE INFORMATION CONTAINED IN THIS DRAWING IS THE SOLE PROPERTY OF CASTER CONNECTION. ANY REPRODUCTION IN PART OR AS A WHOLE WITHOUT THE WRITTEN PERMISSION OF CASTER CONNECTION IS PROHIBITED.	UNLESS OTHERWISE SPECIFIED: DIMENSIONS ARE IN INCHES TOLERANCES: FRACTIONAL: ±1/8 ANGULAR: ±1 TWO PLACE DECIMAL ±.1 THREE PLACE DECIMAL ±.005	BARRON EQUIPMENT COMPANY INC. 4710 N Brady St, Davenport, IA 52806			TITLE: 40.42.50.APB DESCRIPTION: 4" CC Apex Swivel Caster	
		Phone: (800)-397-6690	Fax: (563)-391-1052		DRAWN: K.Becker	DATE: 6/14/2021
		Web: barroneq.com	Projection:	CHECKED: S. Saad	SCALE: 1:1	SHEET: 1 OF 1

8 7 6 5 4 3 2 1