

8

7

6

5

4

3

2

1

D

D

C

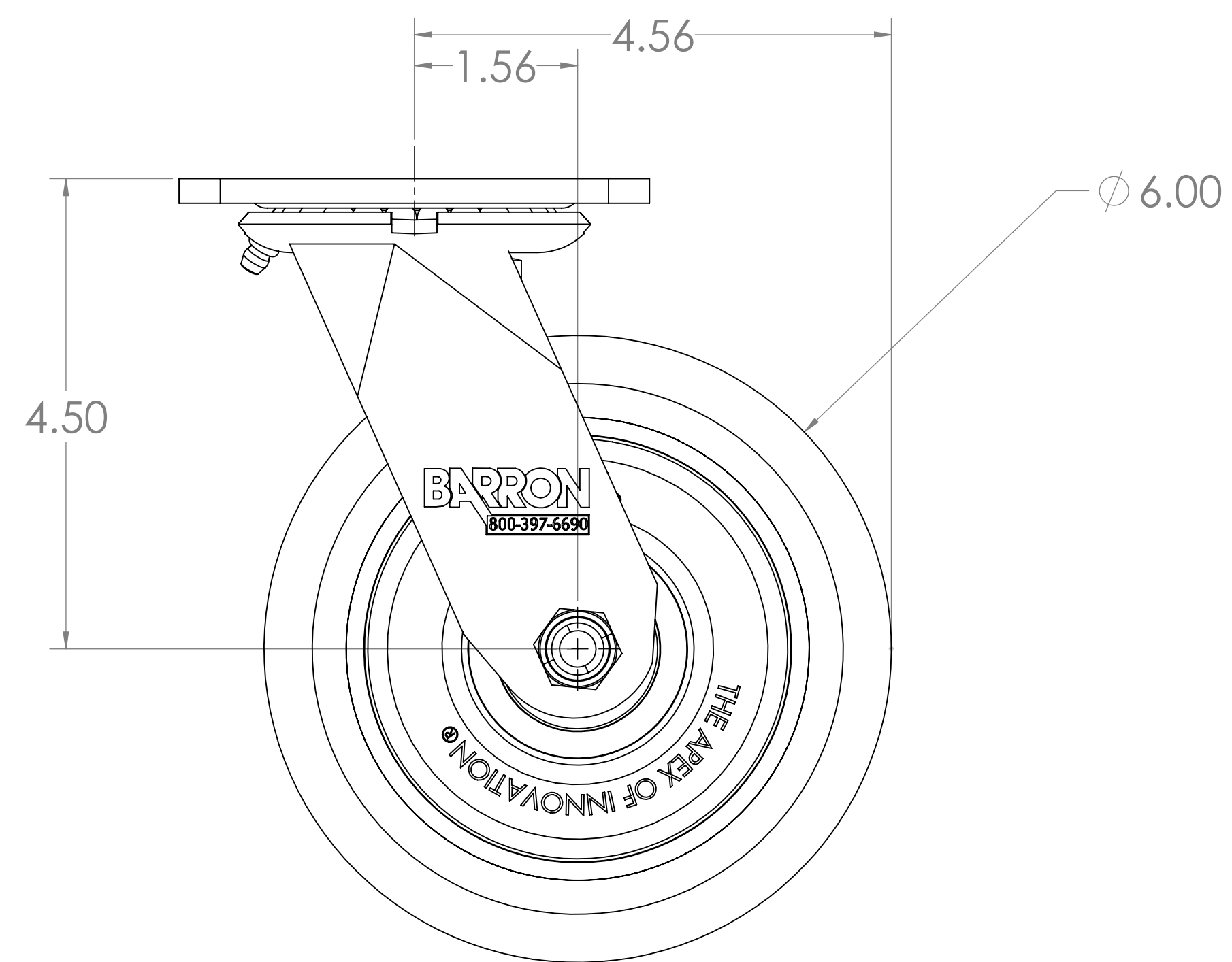
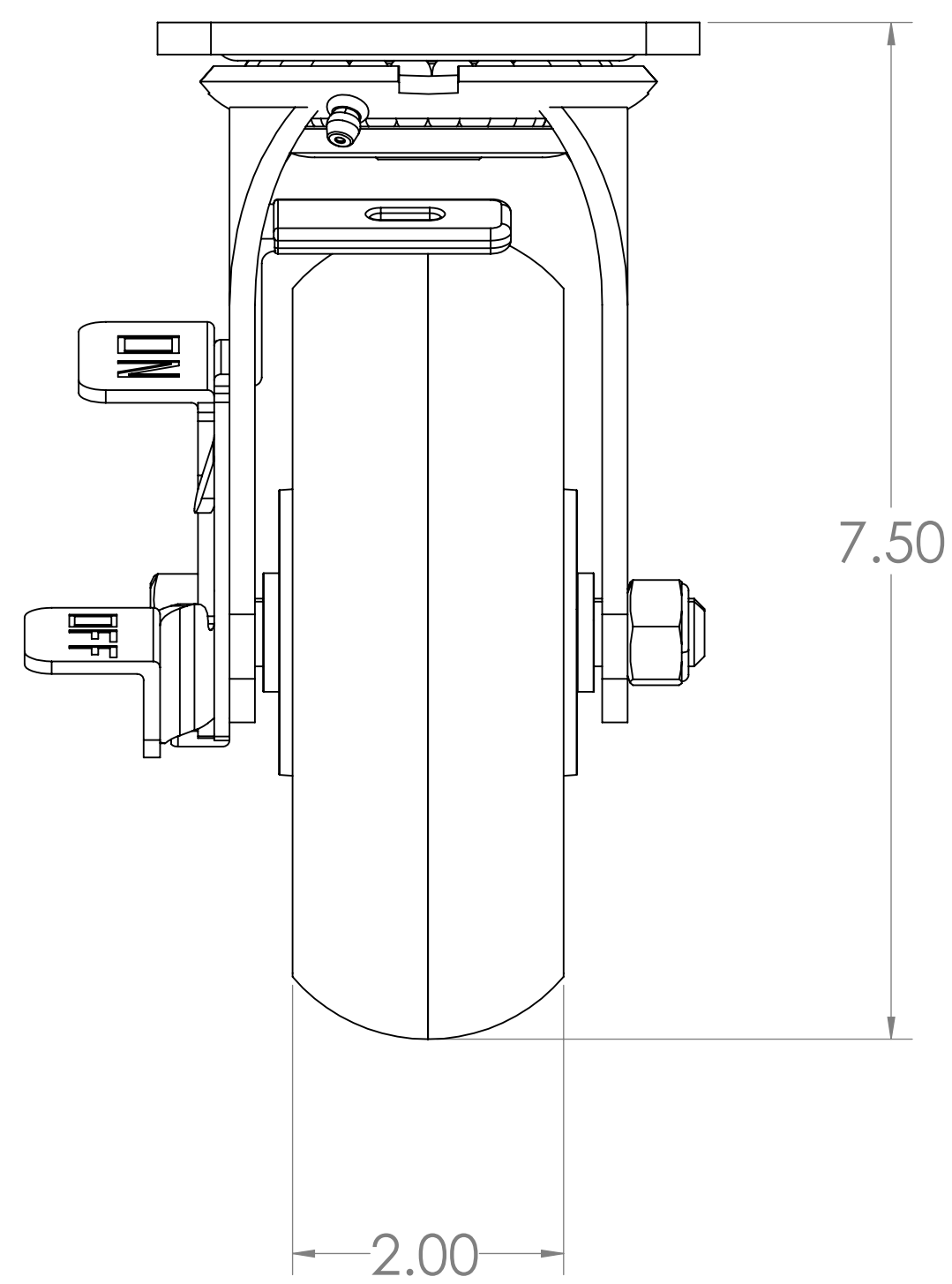
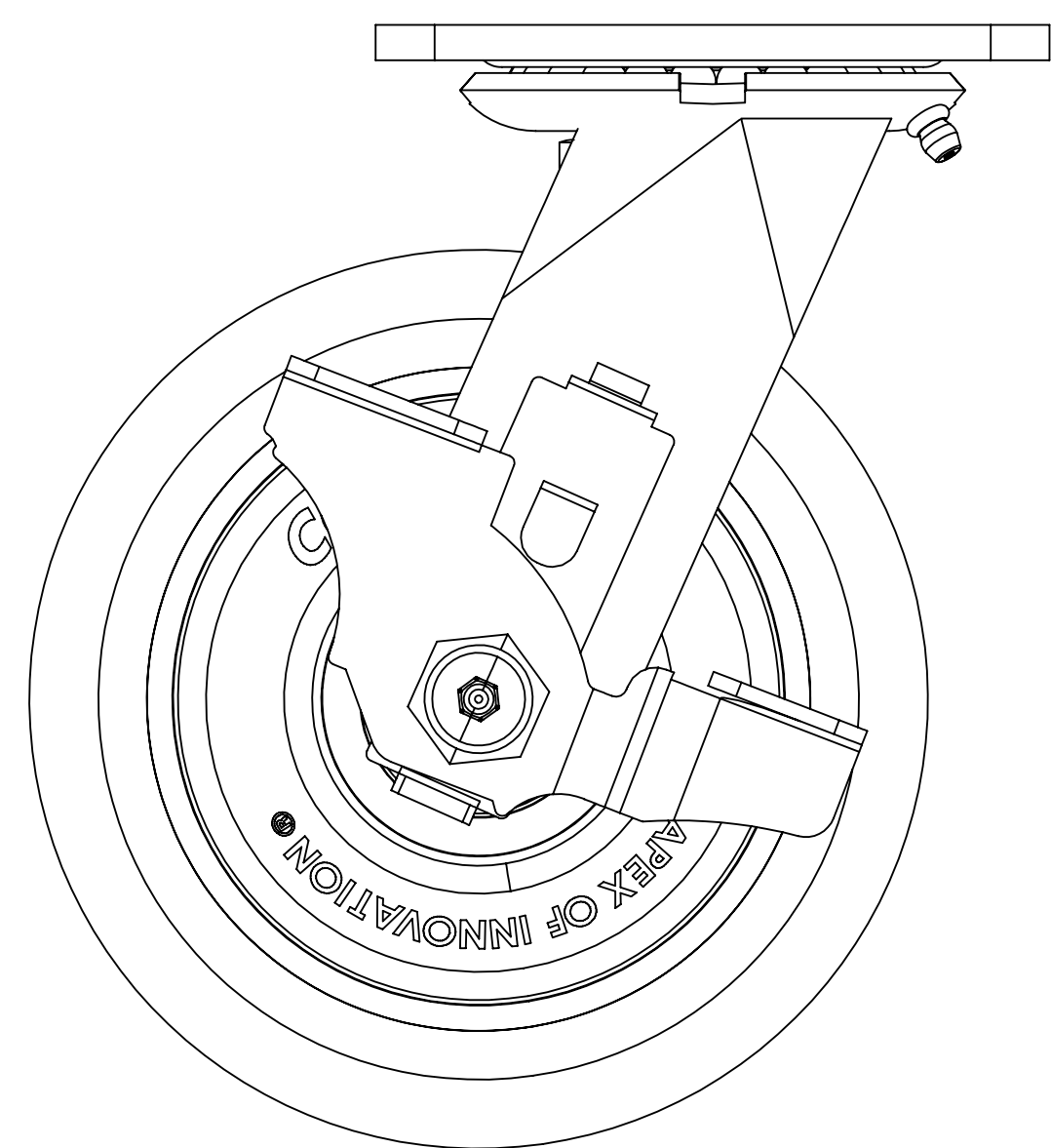
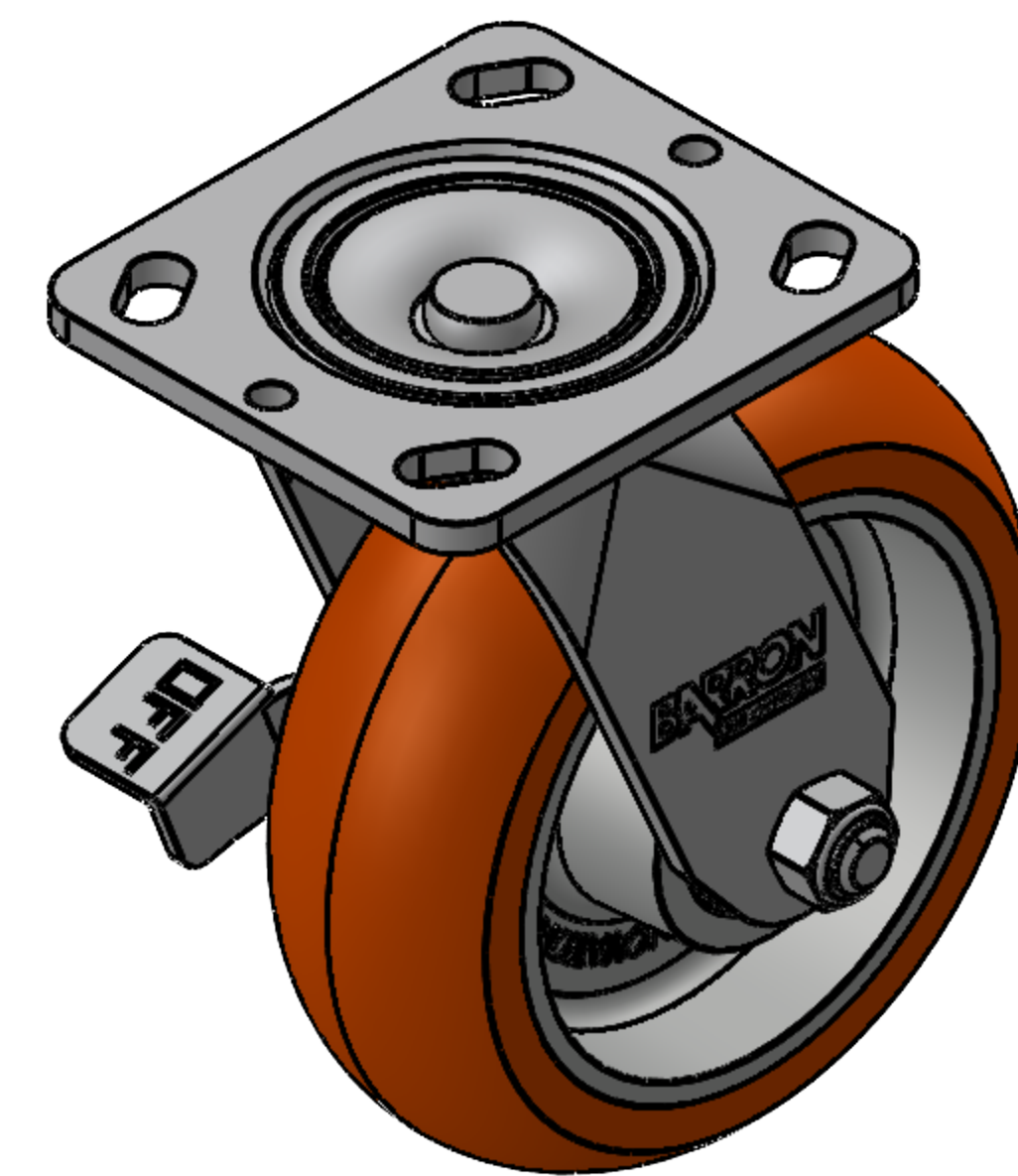
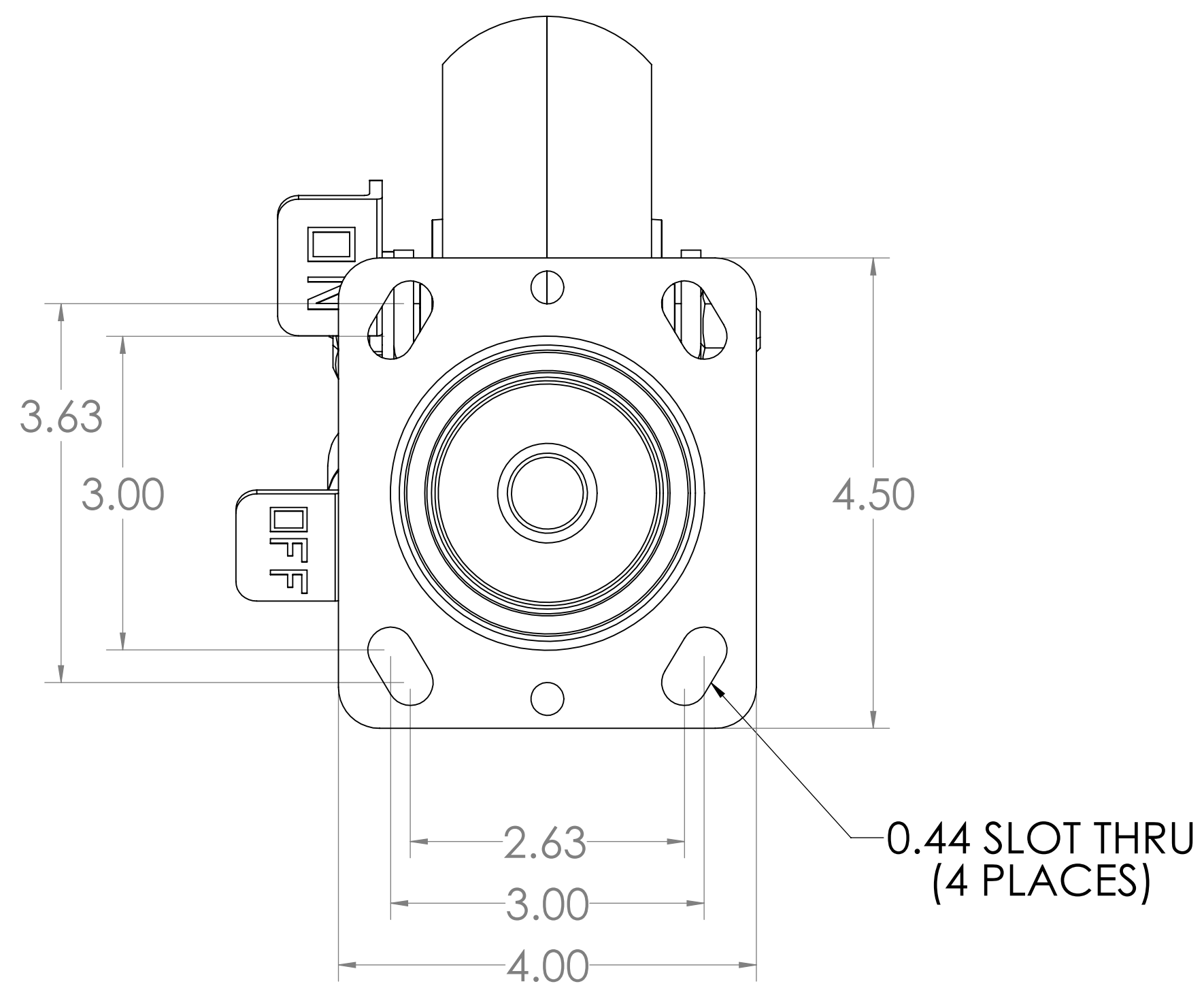
C

B

B

A

A



PROPRIETARY AND CONFIDENTIAL THE INFORMATION CONTAINED IN THIS DRAWING IS THE SOLE PROPERTY OF CASTER CONNECTION. ANY REPRODUCTION IN PART OR AS A WHOLE WITHOUT THE WRITTEN PERMISSION OF CASTER CONNECTION IS PROHIBITED.	UNLESS OTHERWISE SPECIFIED: DIMENSIONS ARE IN INCHES TOLERANCES: FRACTIONAL: ±1/8 ANGULAR: ±1 TWO PLACE DECIMAL ±.1 THREE PLACE DECIMAL ±.005	BARRON EQUIPMENT COMPANY INC. 4710 N Brady St, Davenport, IA 52806			TITLE: 40.62.50.APB.TB
		Phone: (800)-397-6690	Fax: (563)-391-1052		DESCRIPTION: 6" CC Apex Swivel Caster with Top-Lock Brake
Web: barroneq.com		Projection:	DRAWN: J.Green	DATE: 3/1/2021	WEIGHT: 5.82 LBS
			CHECKED: S. Saad	SCALE: 1:1.25	SHEET: 1 OF 1

8

7

6

5

4

3

2

1