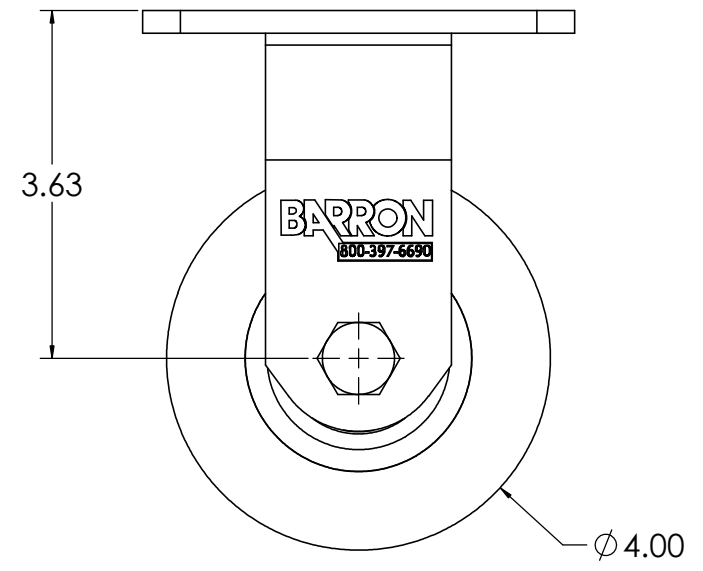
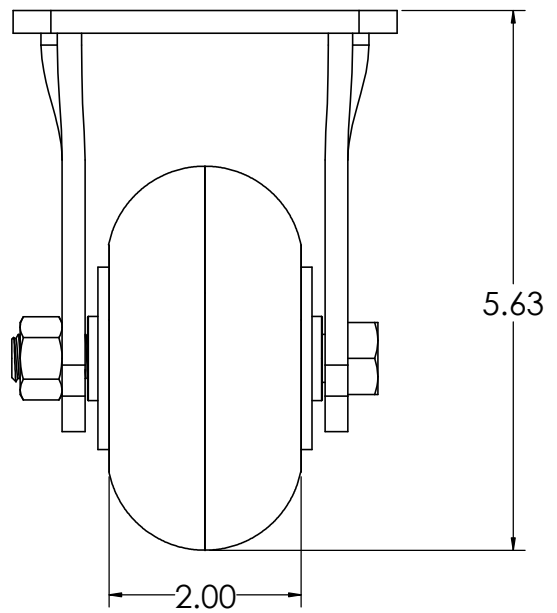
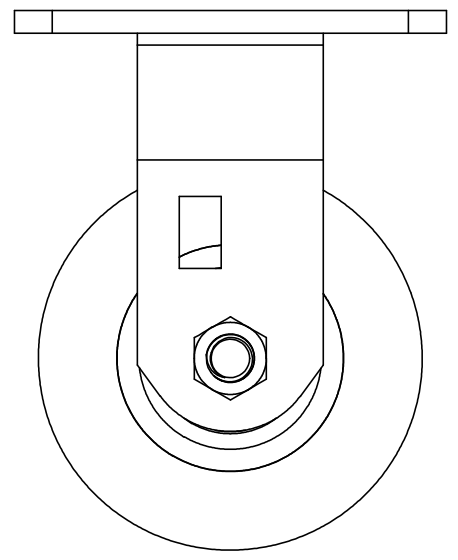
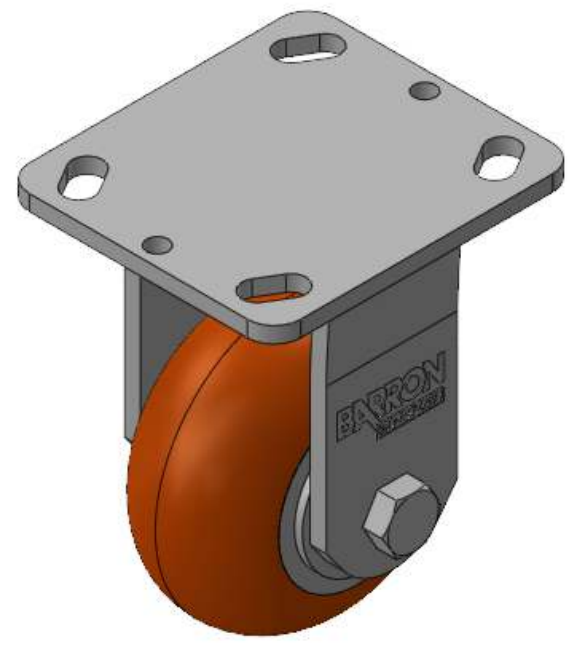
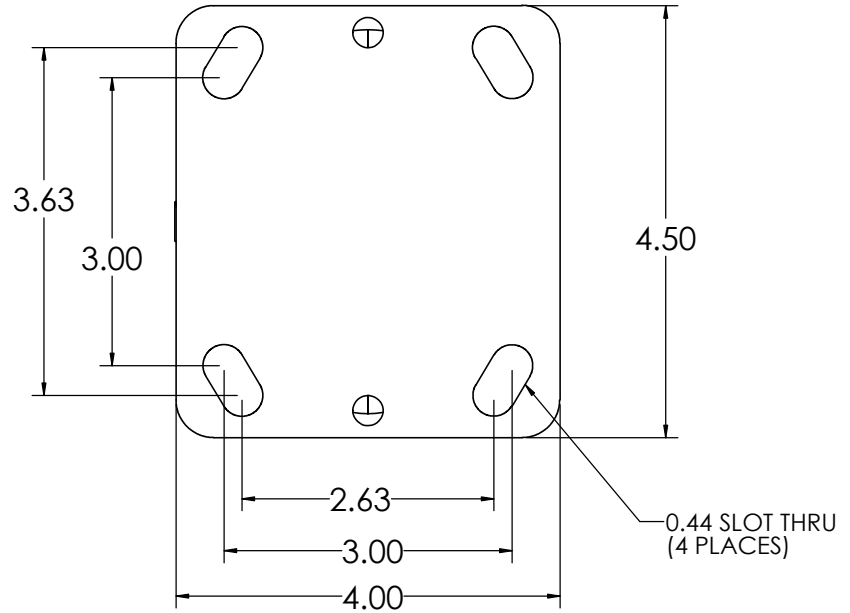


8 7 6 5 4 3 2 1

D
C
B
A

D
C
B
A



<p>PROPRIETARY AND CONFIDENTIAL THE INFORMATION CONTAINED IN THIS DRAWING IS THE SOLE PROPERTY OF CASTER CONNECTION. ANY REPRODUCTION IN PART OR AS A WHOLE WITHOUT THE WRITTEN PERMISSION OF CASTER CONNECTION IS PROHIBITED.</p>	<p>UNLESS OTHERWISE SPECIFIED: DIMENSIONS ARE IN INCHES TOLERANCES: FRACTIONAL: ±1/8 ANGULAR: ±1 TWO PLACE DECIMAL ±.1 THREE PLACE DECIMAL ±.005</p>	<p>BARRON EQUIPMENT COMPANY INC. 4710 N Brady St, Davenport, IA 52806</p>		<p>BARRON EQUIPMENT COMPANY INC. OVER 30 YEARS</p>	<p>TITLE: 41.42.50.APB DESCRIPTION: 4" CC Apex Rigid Caster</p>		
		<p>Phone: (800)-397-6690</p>	<p>Fax: (563)-391-1052</p>		<p>DRAWN: K.Becker</p>	<p>DATE: 6/14/2021</p>	<p>WEIGHT: 3.82 LBS</p>
		<p>Web: barroneq.com</p>	<p>Projection: </p>		<p>CHECKED: S. Saad</p>	<p>SCALE: 1:1</p>	<p>SHEET: 1 OF 1</p>

8 7 6 5 4 3 2 1