

8

7

6

5

4

3

2

1

D

D

C

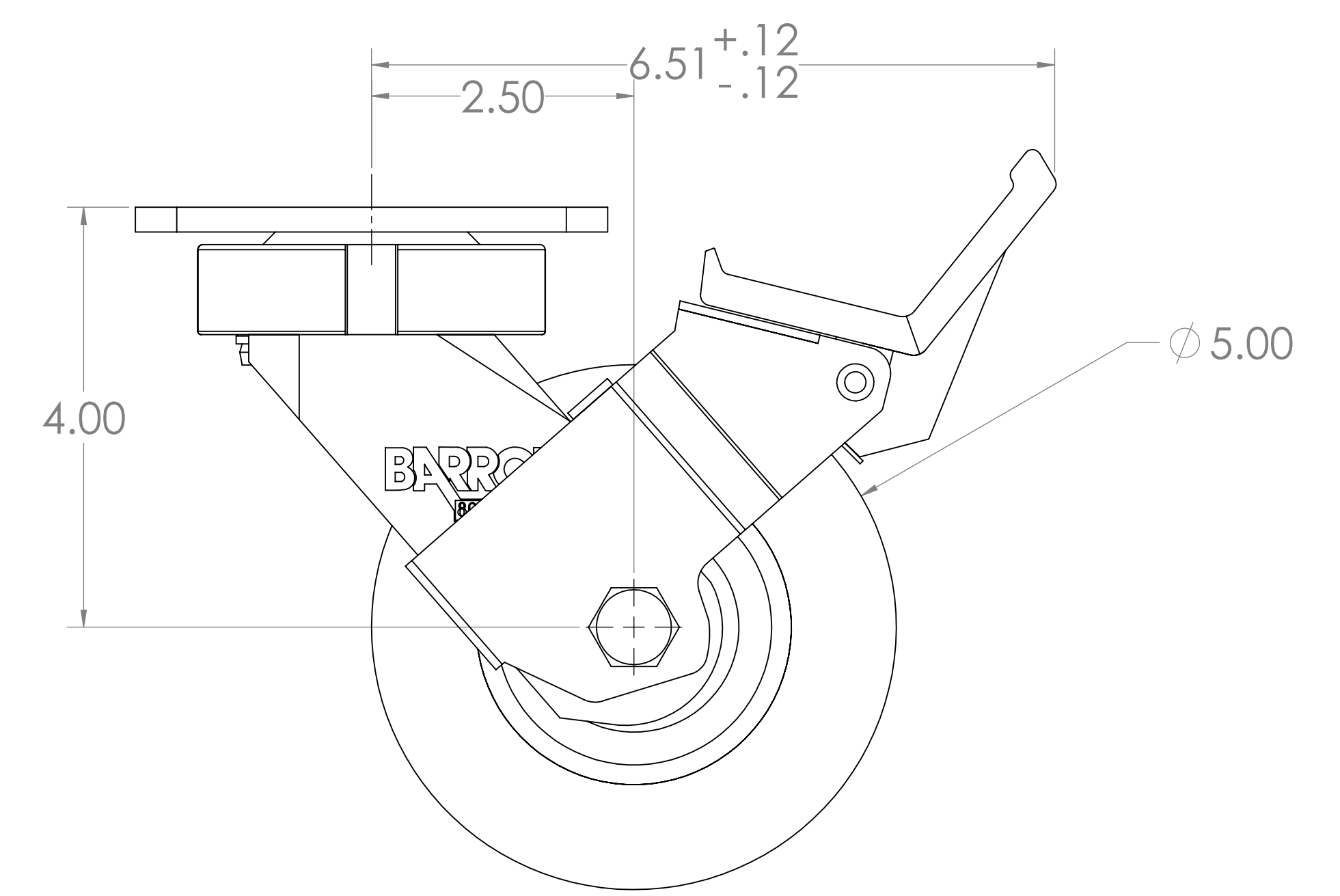
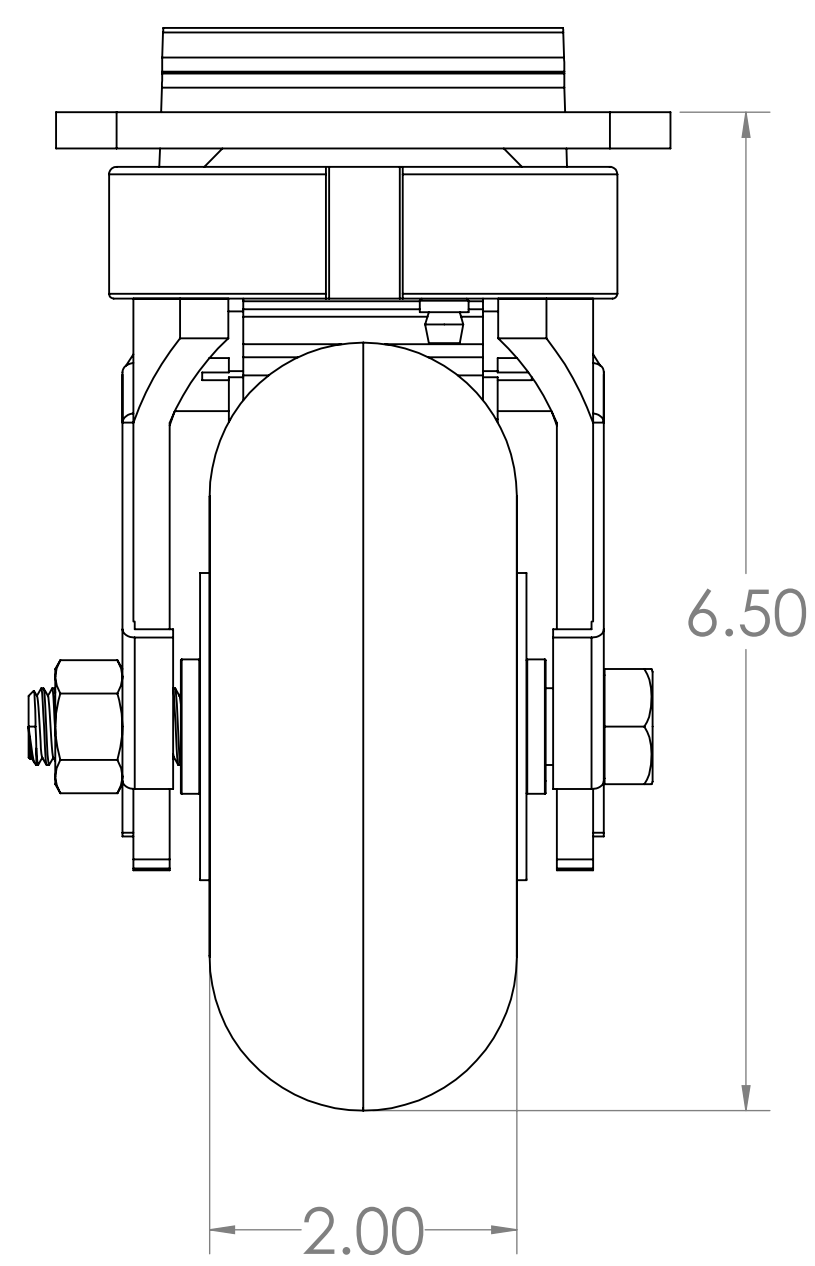
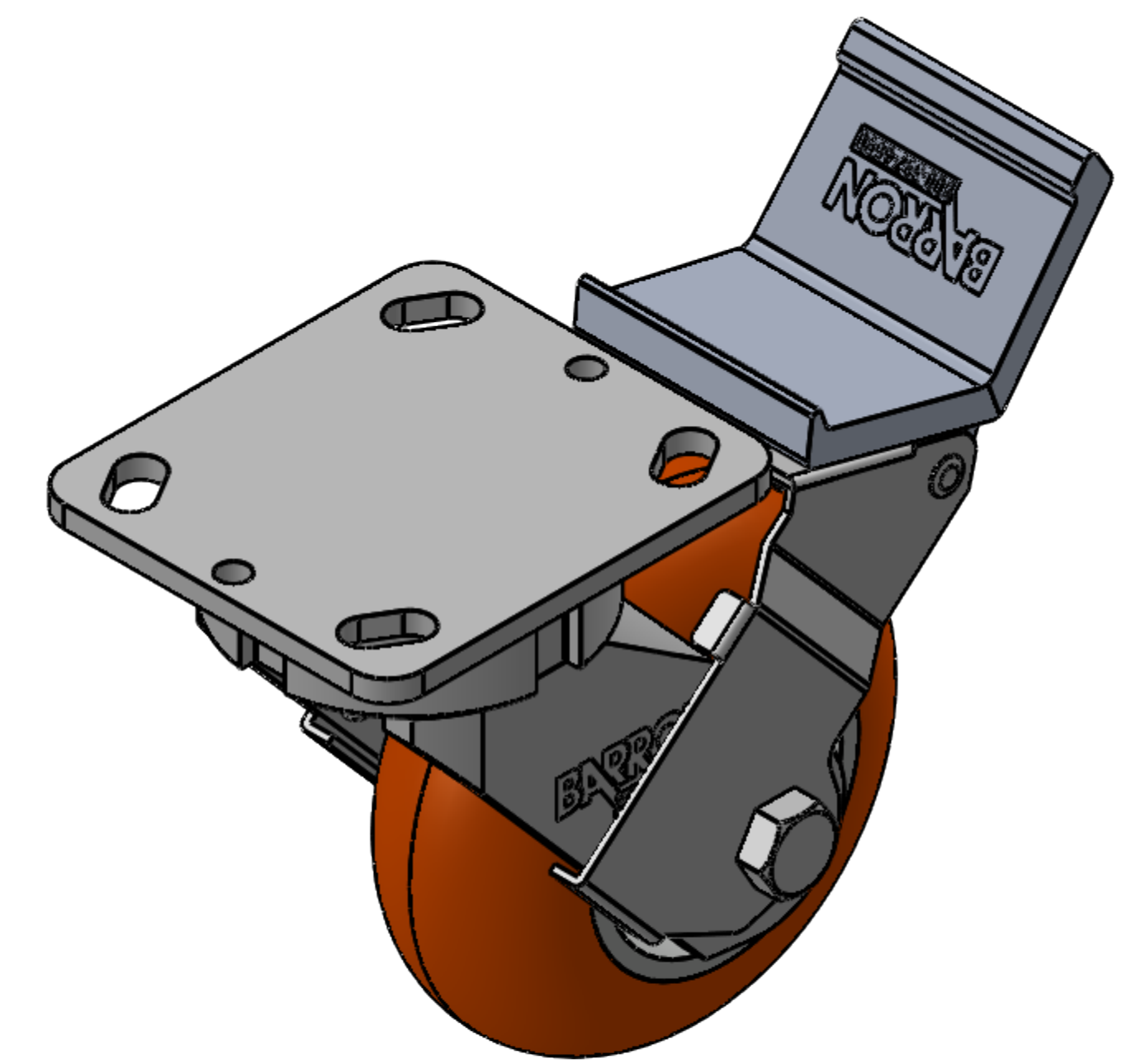
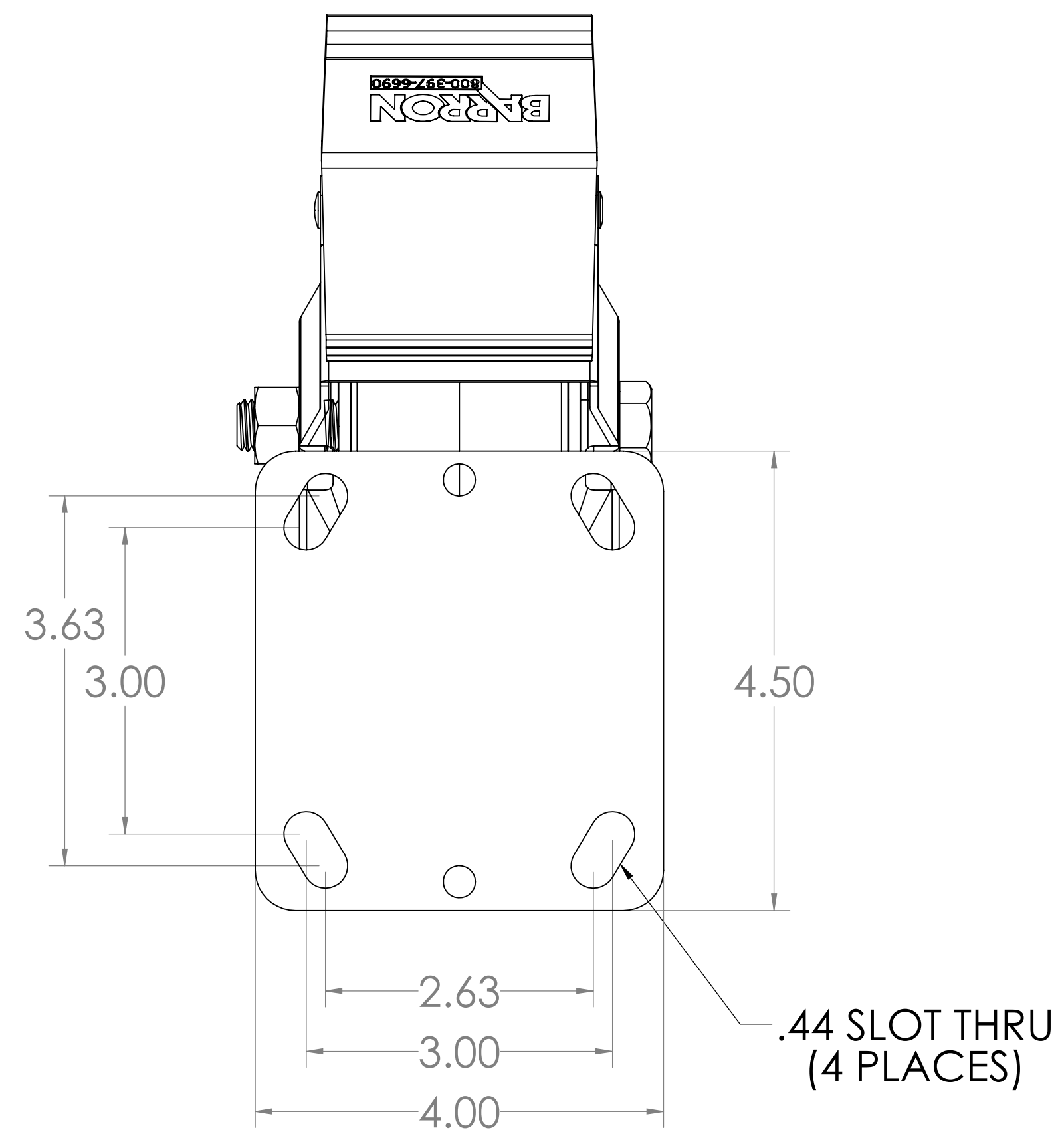
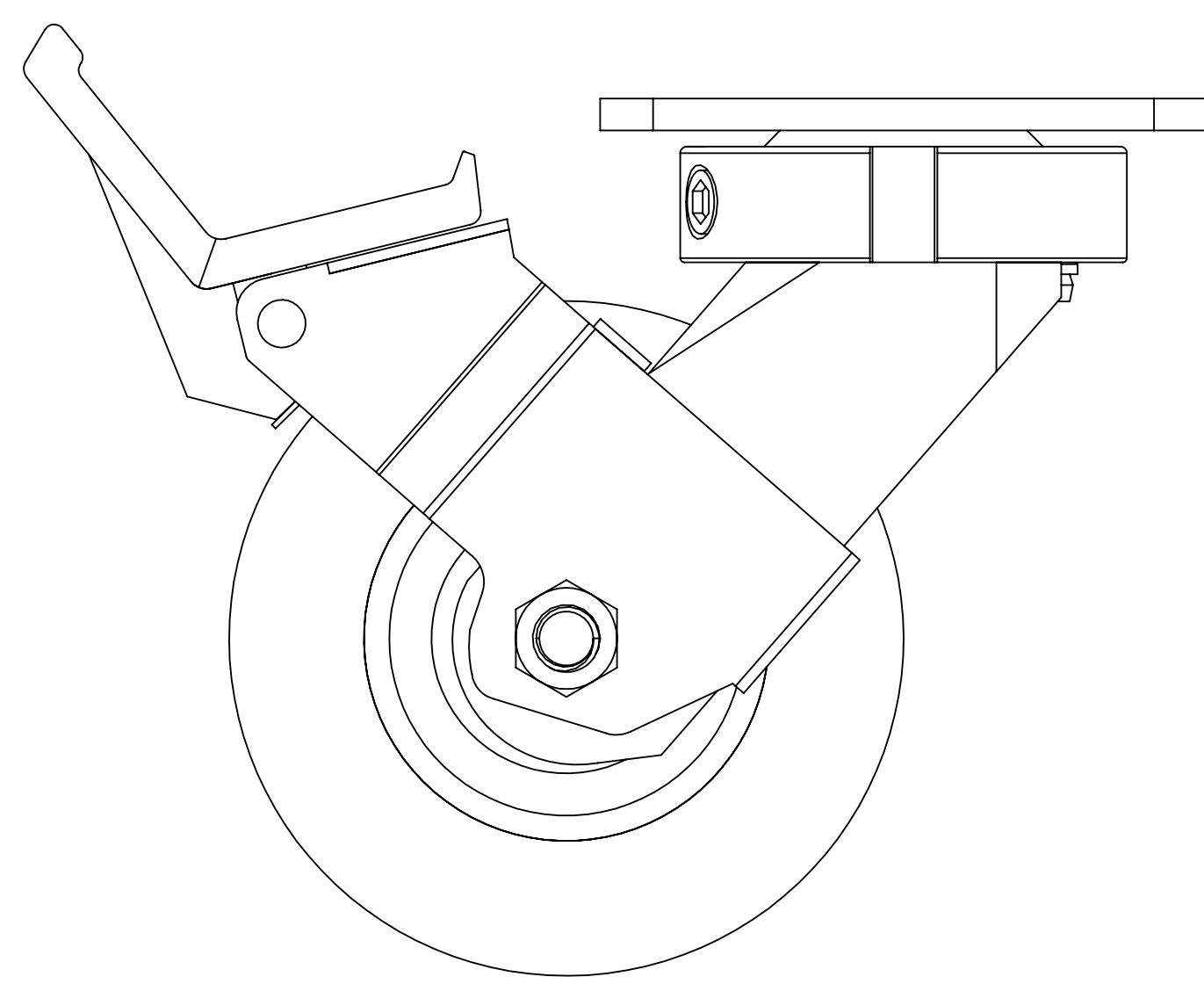
C

B

B

A

A



PROPRIETARY AND CONFIDENTIAL THE INFORMATION CONTAINED IN THIS DRAWING IS THE SOLE PROPERTY OF CASTER CONNECTION. ANY REPRODUCTION IN PART OR AS A WHOLE WITHOUT THE WRITTEN PERMISSION OF CASTER CONNECTION IS PROHIBITED.	UNLESS OTHERWISE SPECIFIED: DIMENSIONS ARE IN INCHES TOLERANCES: FRACTIONAL: ±1/8 ANGULAR: ±1 TWO PLACE DECIMAL: ±.1 THREE PLACE DECIMAL: ±.005	BARRON EQUIPMENT COMPANY INC. 4710 N Brady St, Davenport, IA 52806		BARRON <small>EQUIPMENT COMPANY INC.</small> <small>OVERHEAD DODGERS</small>	TITLE: 60.52.50.APB.FCB DESCRIPTION: 5" CC Apex Kingpinless Extended-Lead Swivel Caster with Face-Contact Brake		
		Phone: (800)-397-6690	Fax: (563)-391-1052		DRAWN: J.Green	DATE: 2/27/2019	WEIGHT: 6.99 LBS
Web: barroneq.com		Projection:	CHECKED: S. Saad	SCALE: 1:1.25	SHEET: 1 OF 1		

8

7

6

5

4

3

2

1