

8

7

6

5

4

3

2

1

D

D

C

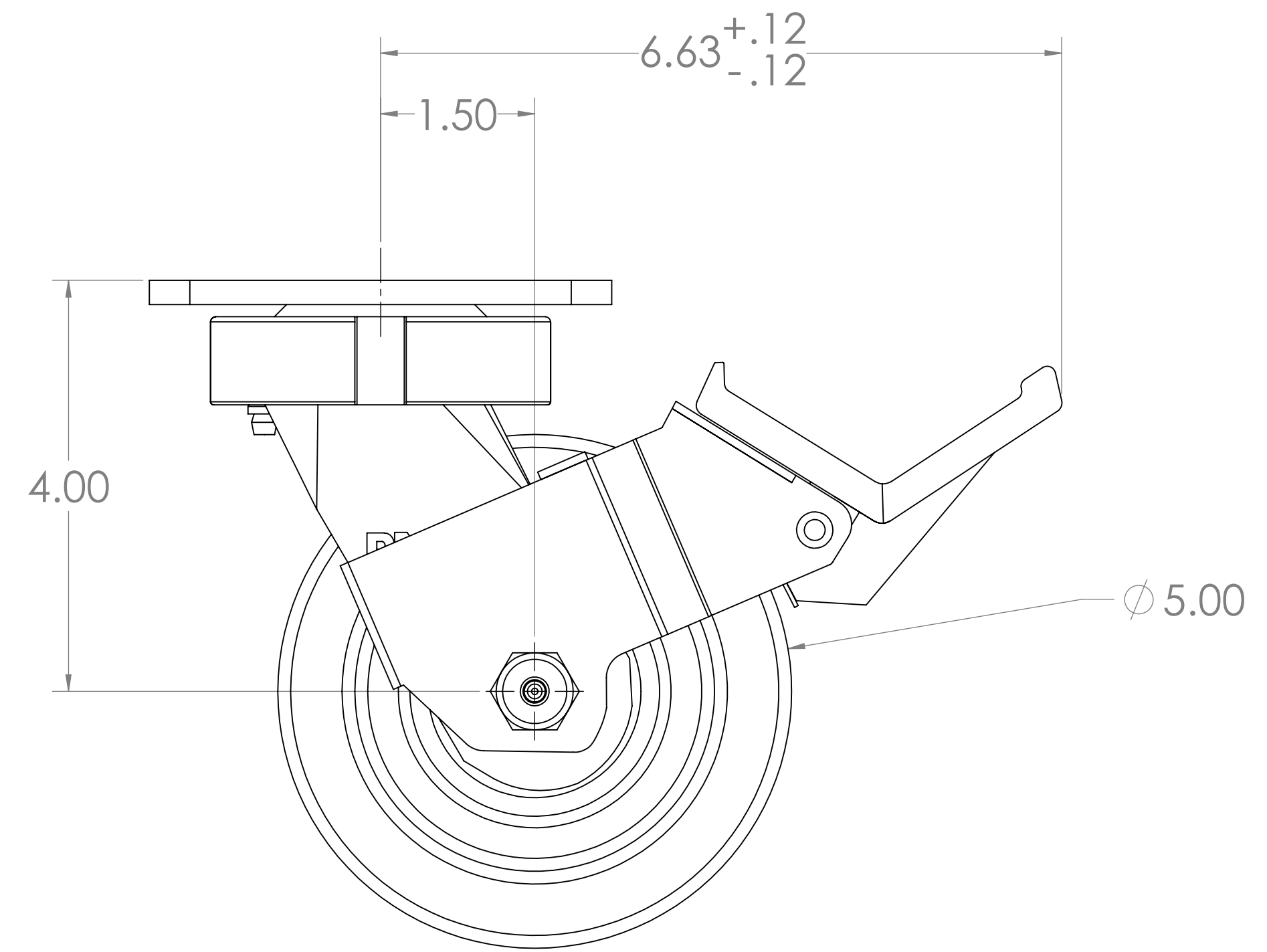
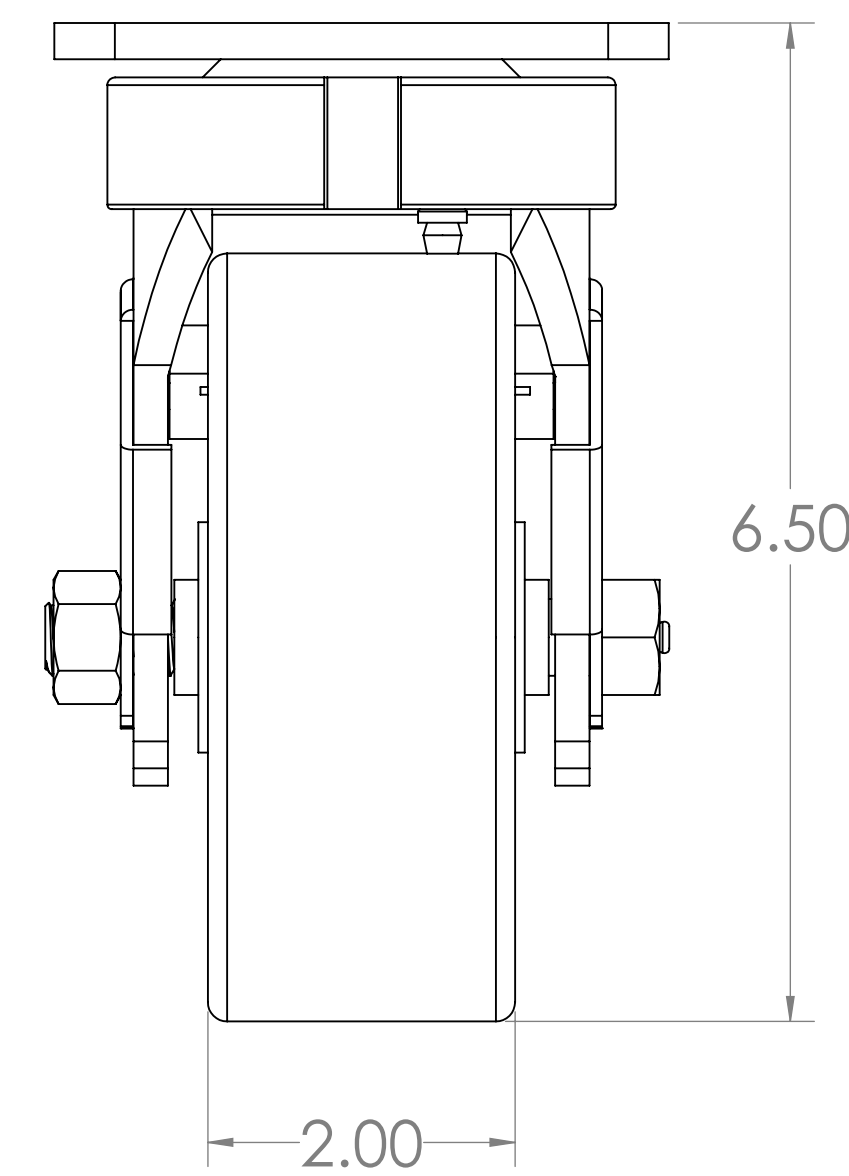
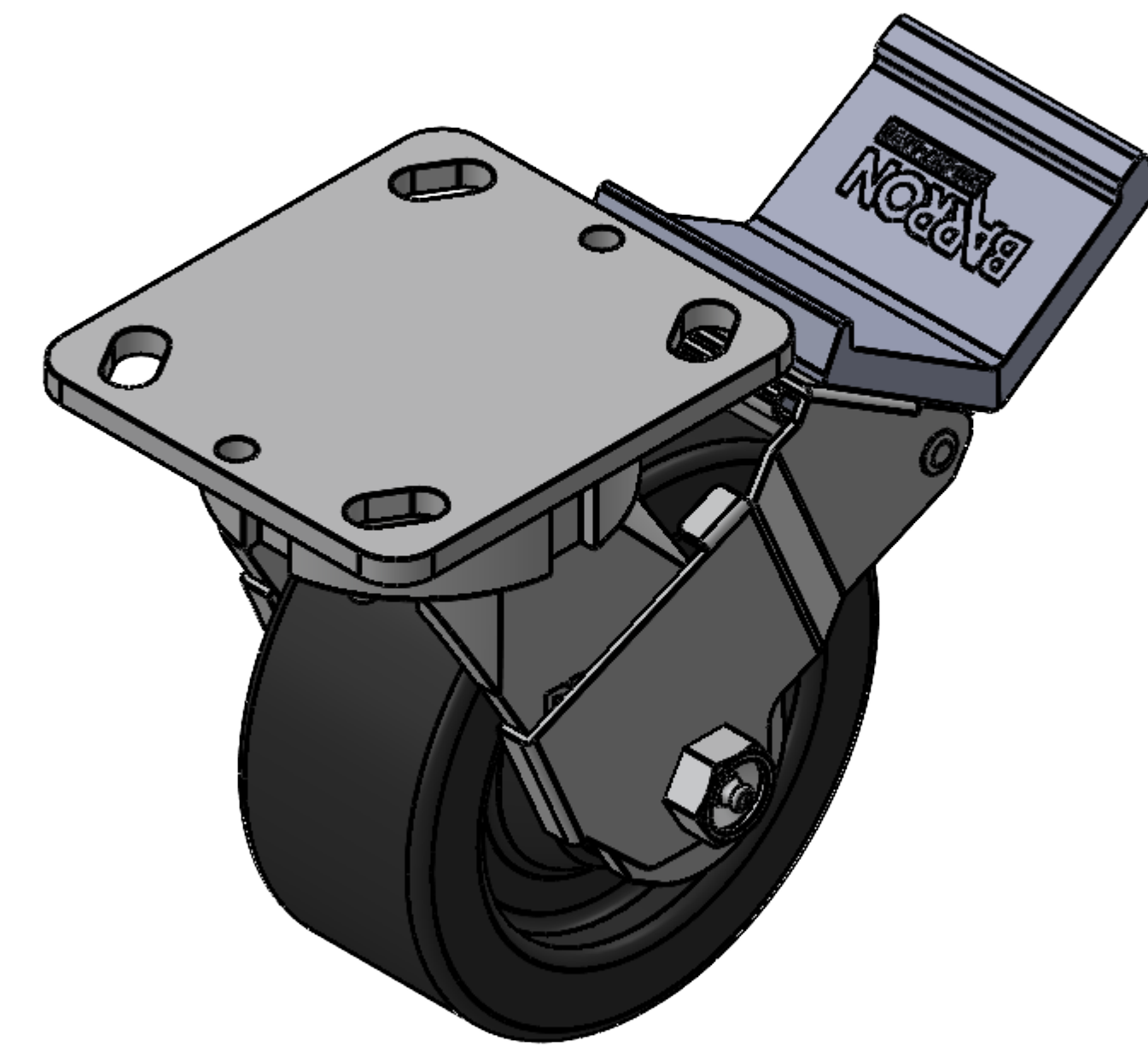
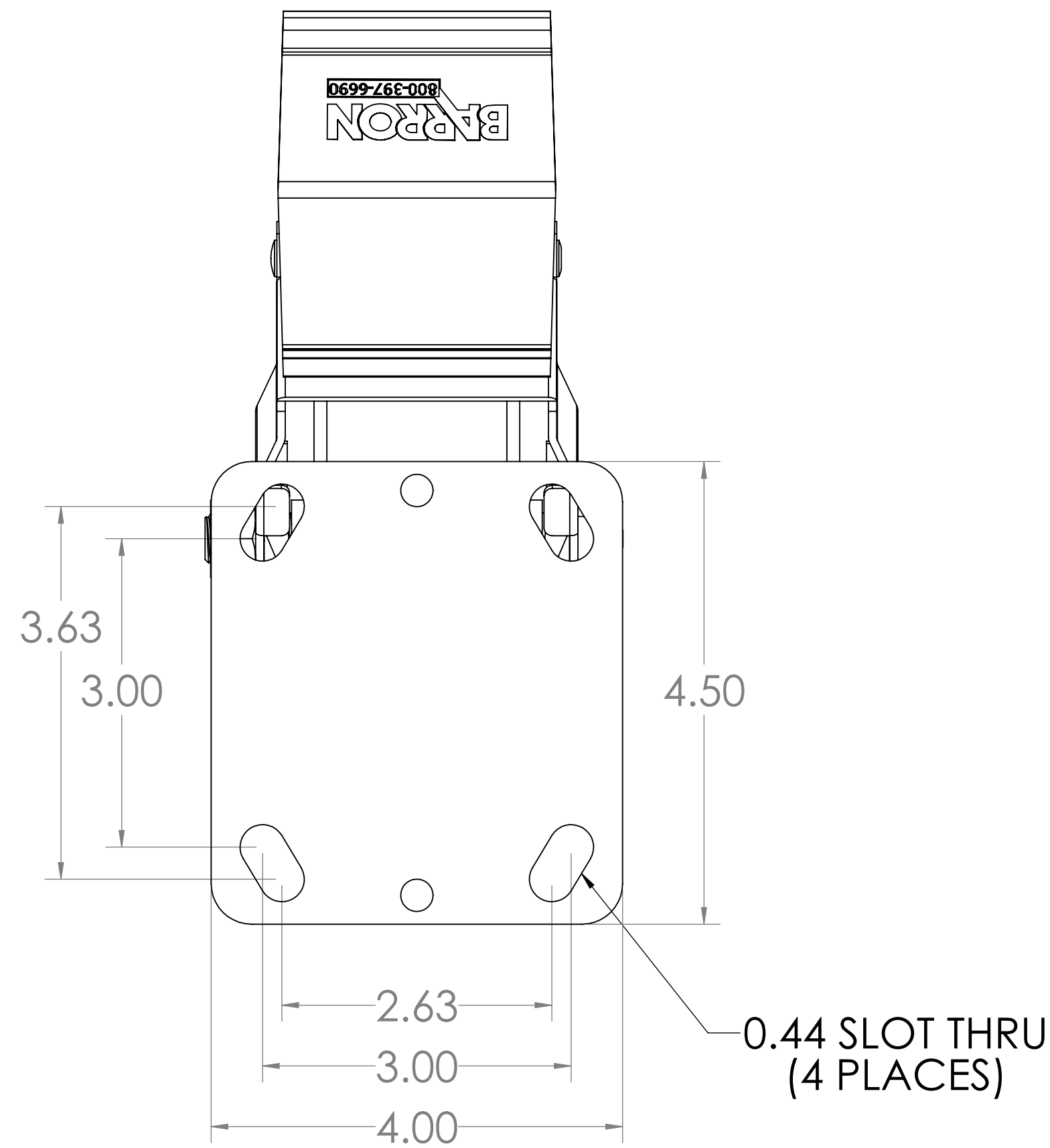
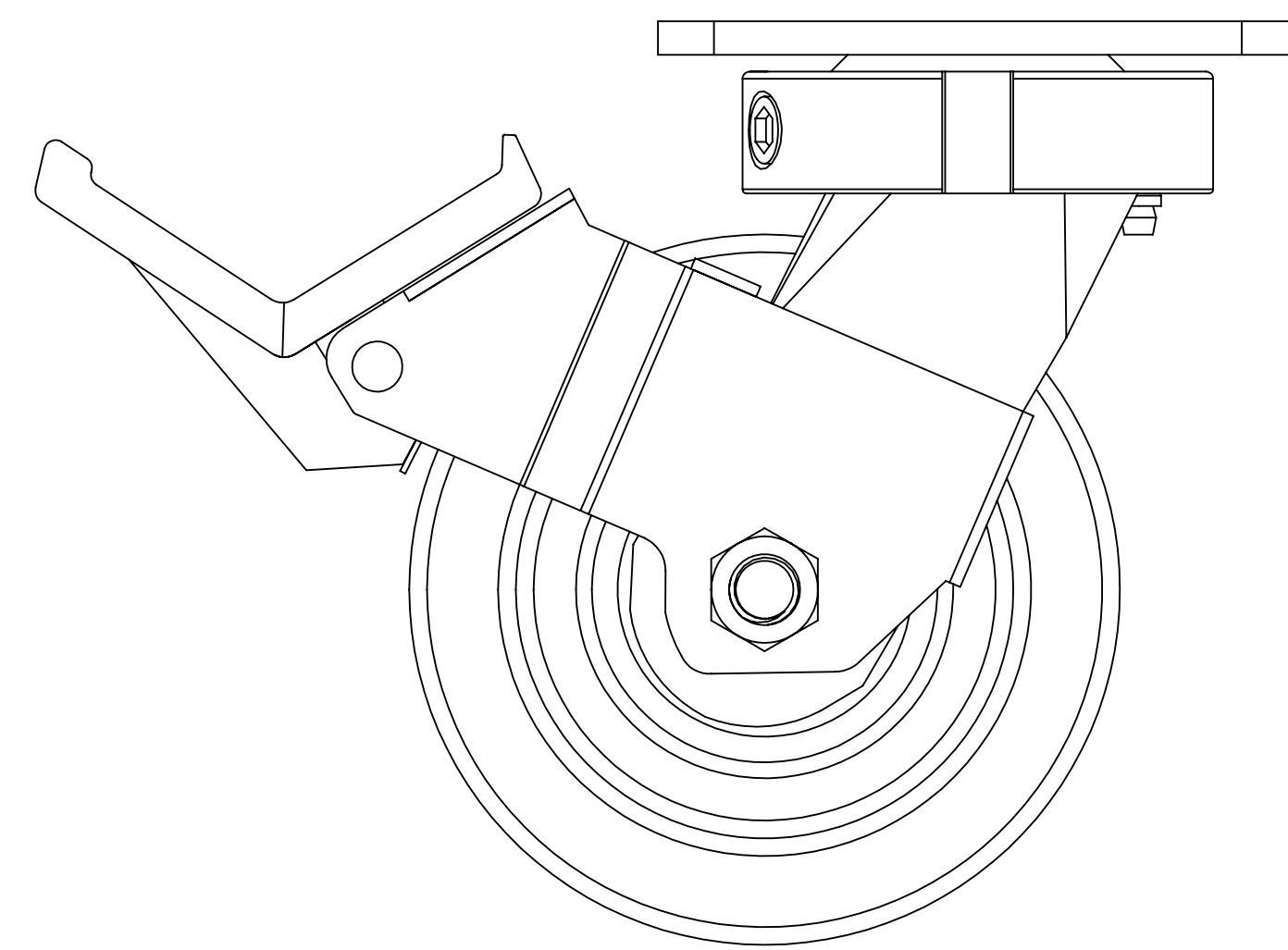
C

B

B

A

A



<p>PROPRIETARY AND CONFIDENTIAL THE INFORMATION CONTAINED IN THIS DRAWING IS THE SOLE PROPERTY OF CASTER CONNECTION. ANY REPRODUCTION IN PART OR AS A WHOLE WITHOUT THE WRITTEN PERMISSION OF CASTER CONNECTION IS PROHIBITED.</p>	<p>UNLESS OTHERWISE SPECIFIED: DIMENSIONS ARE IN INCHES</p> <p>TOLERANCES: FRACTIONAL: $\pm 1/8$ ANGULAR: ± 1 TWO PLACE DECIMAL: $\pm .1$ THREE PLACE DECIMAL: $\pm .005$</p>	<p>BARRON EQUIPMENT COMPANY INC. 4710 N Brady St, Davenport, IA 52806</p>		<p>BARRON EQUIPMENT COMPANY INC. OVERHEAD DODGERS</p>	<p>TITLE: 60.52.50.PHR.FCB DESCRIPTION: 5" Phenolic Kingpinless Swivel Caster with Face Contact Brake</p>			
		<p>Phone: (800)-397-6690</p>	<p>Fax: (563)-391-1052</p>		<p>Web: barroneq.com</p>	<p>Projection: </p>	<p>DRAWN: J.Green</p>	<p>DATE: 2/27/2020</p>
						<p>CHECKED: S. Saad</p>	<p>SCALE: 1:1.25</p>	<p>SHEET: 1 OF 1</p>

8

7

6

5

4

3

2

1