

8

7

6

5

4

3

2

1

D

D

C

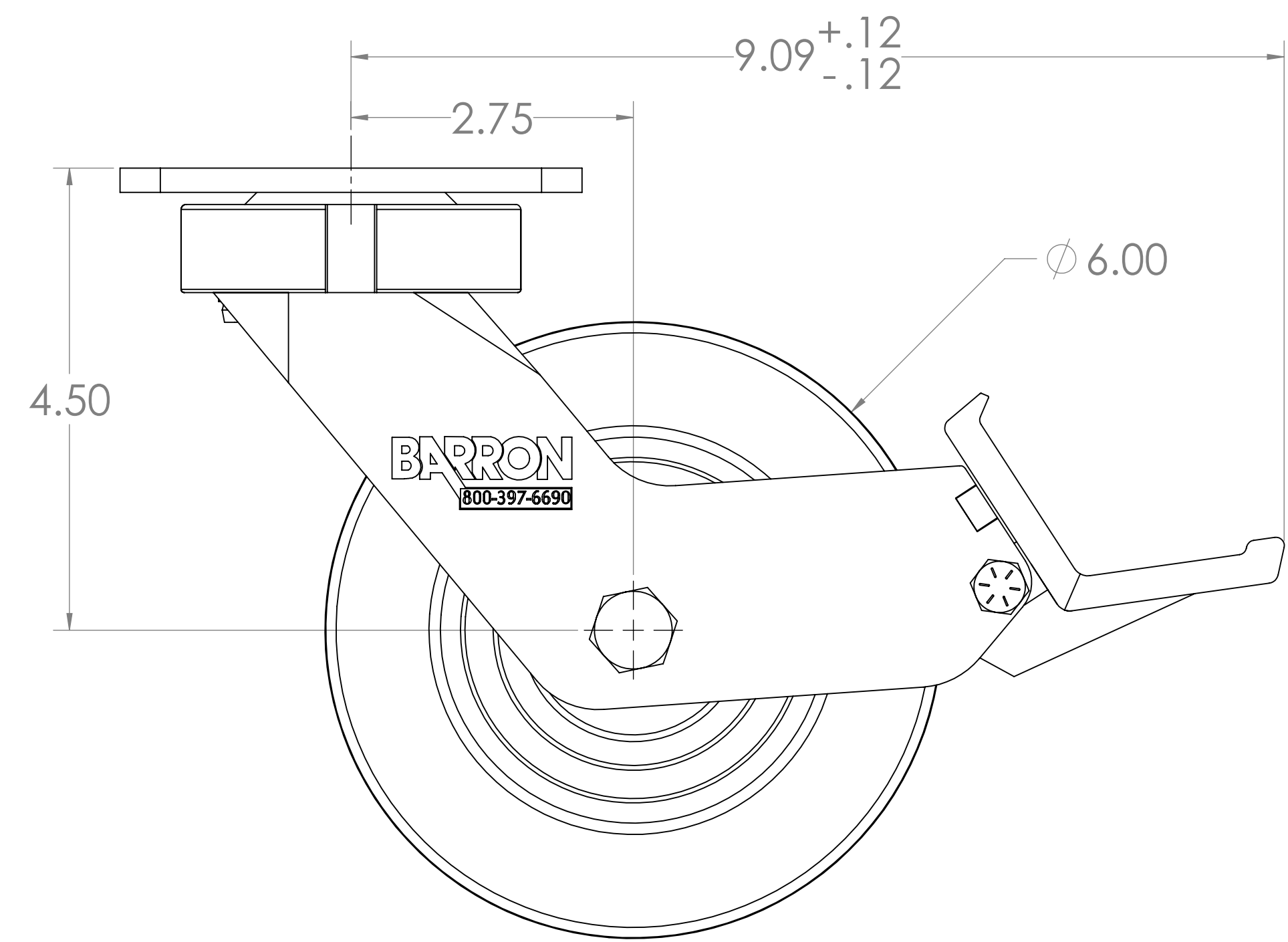
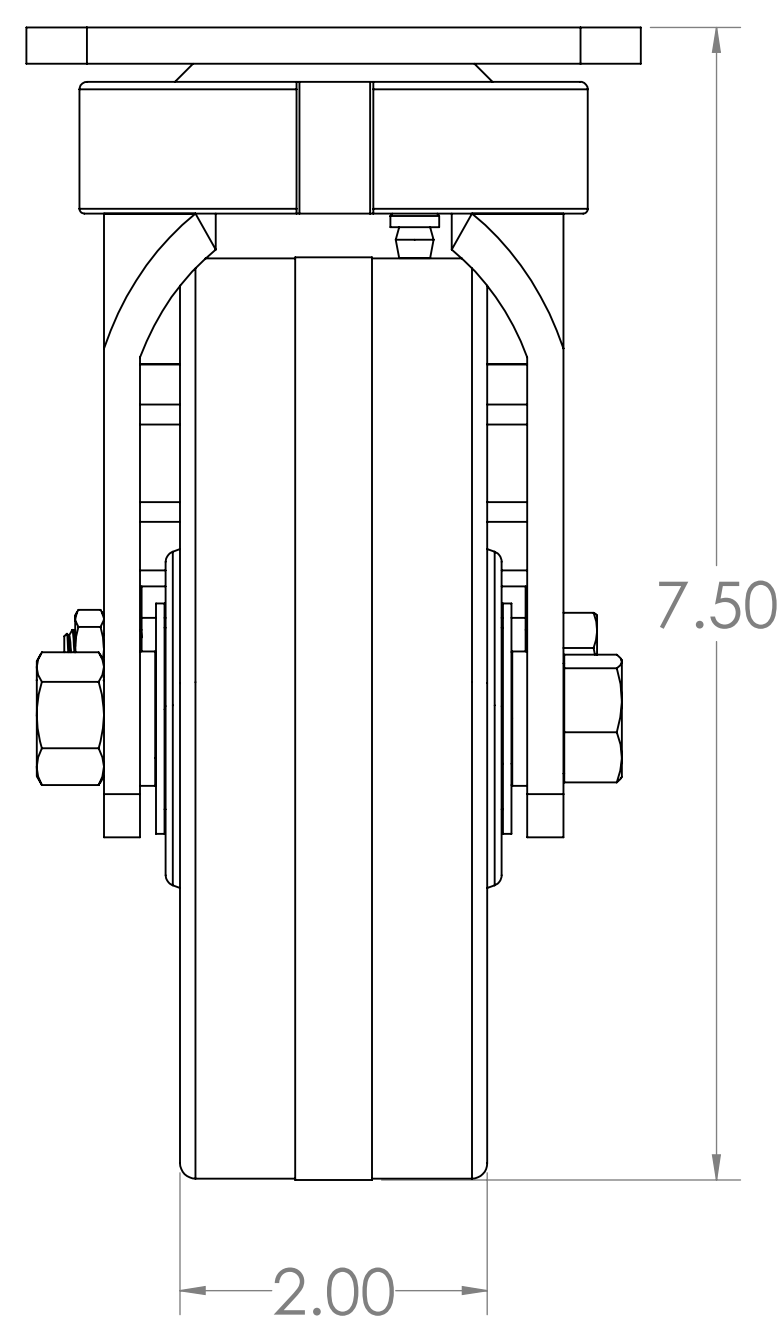
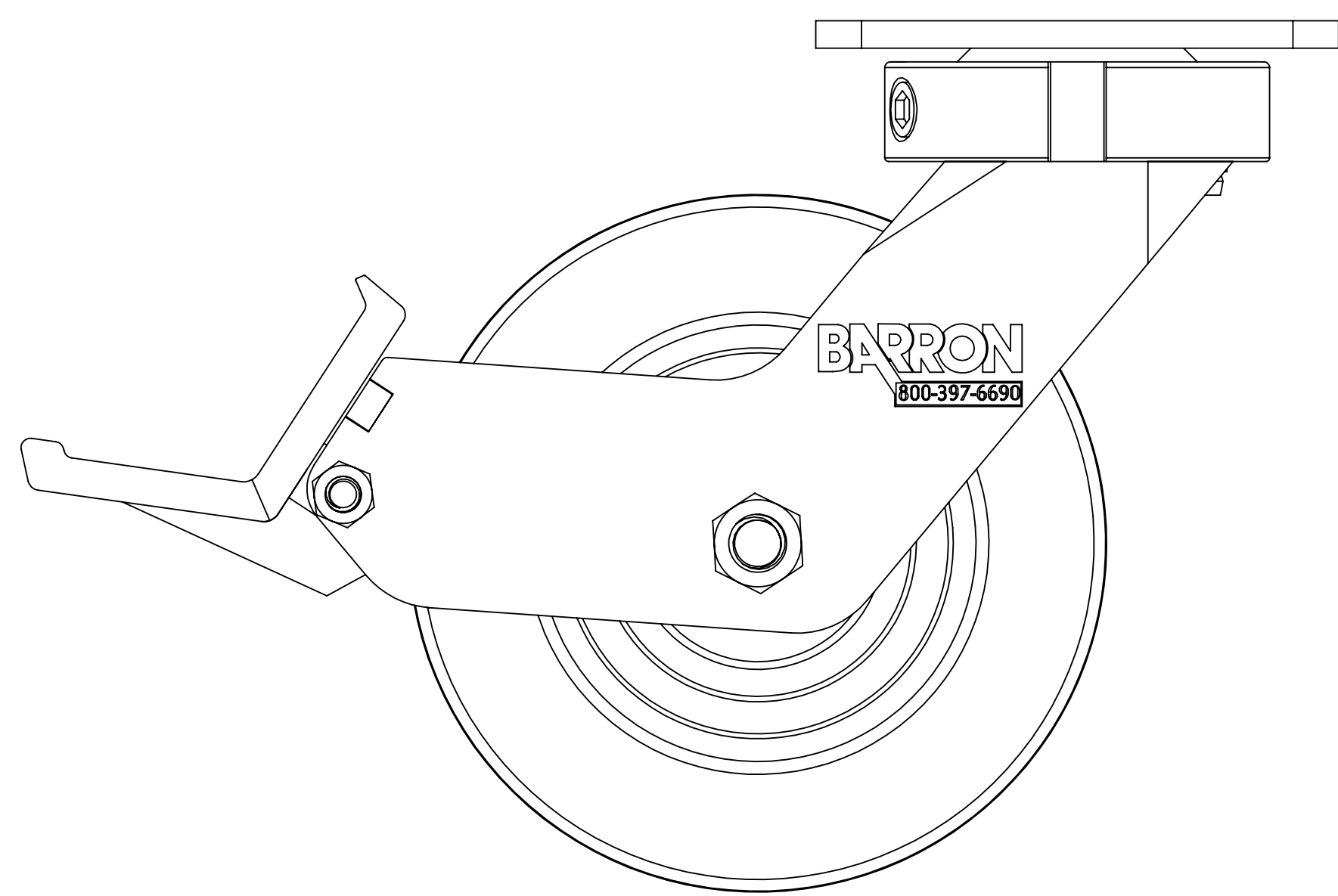
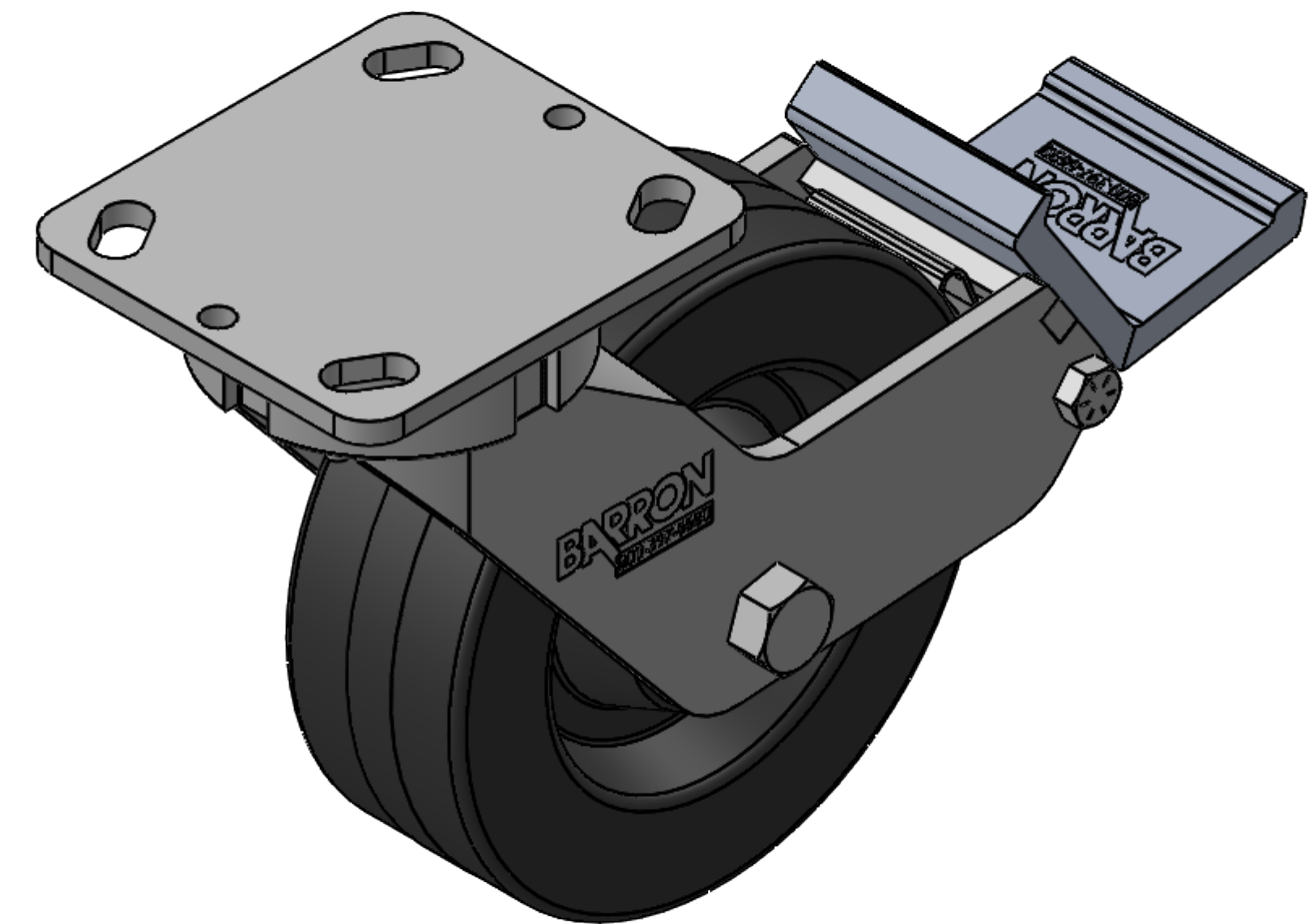
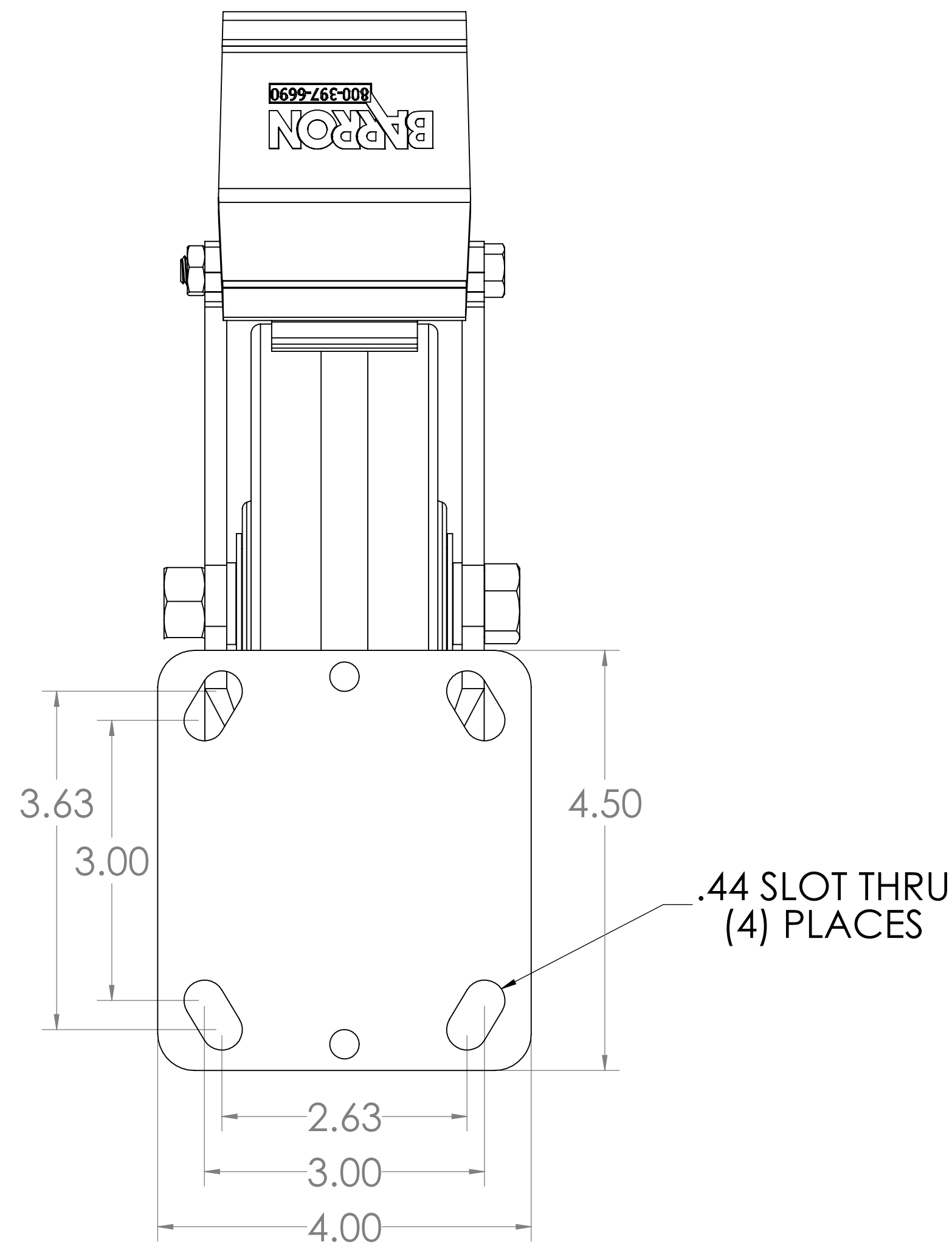
C

B

B

A

A



PROPRIETARY AND CONFIDENTIAL
THE INFORMATION CONTAINED IN THIS
DRAWING IS THE SOLE PROPERTY OF CASTER
CONNECTION. ANY REPRODUCTION IN PART
OR AS A WHOLE WITHOUT THE WRITTEN
PERMISSION OF CASTER CONNECTION IS
PROHIBITED.

UNLESS OTHERWISE SPECIFIED:
DIMENSIONS ARE IN INCHES
TOLERANCES:
FRACTIONAL ±1/8
ANGULAR ±1
TWO PLACE DECIMAL ±.1
THREE PLACE DECIMAL ±.005

BARRON EQUIPMENT COMPANY INC.
4710 N Brady St, Davenport, IA 52806

Phone: (800)-397-6690

Fax: (563)-391-1052

Web: barroneq.com

Projection:



TITLE: 60.62.50.PHR.BIB

DESCRIPTION:

DRAWN: J.Green

DATE: 04/10/18

WEIGHT: 8.24 KGS

CHECKED: S. Saad

SCALE: 1:1.25

SHEET: 1 OF 1

8

7

6

5

4

3

2

1