

8

7

6

5

4

3

2

1

D

D

C

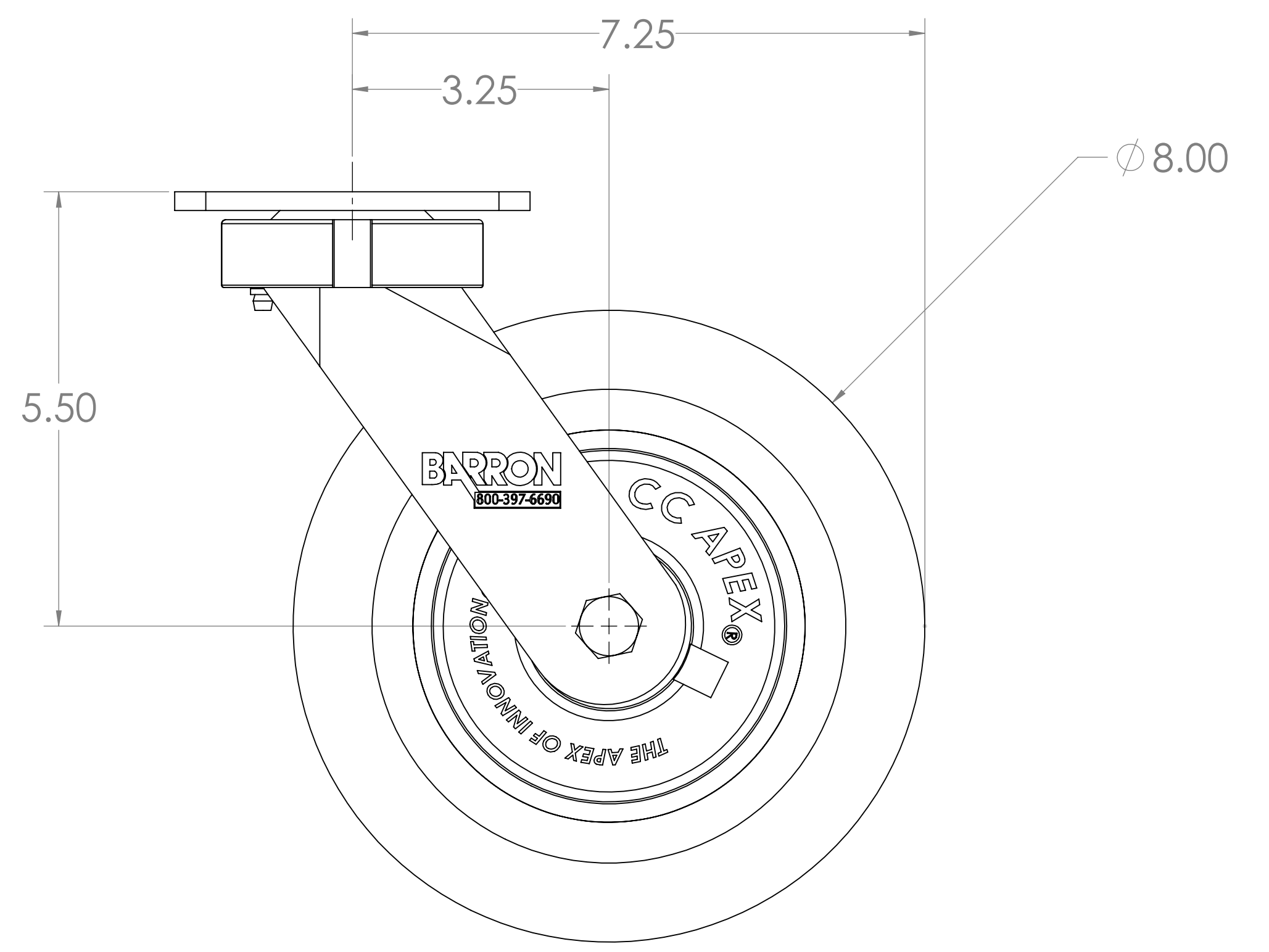
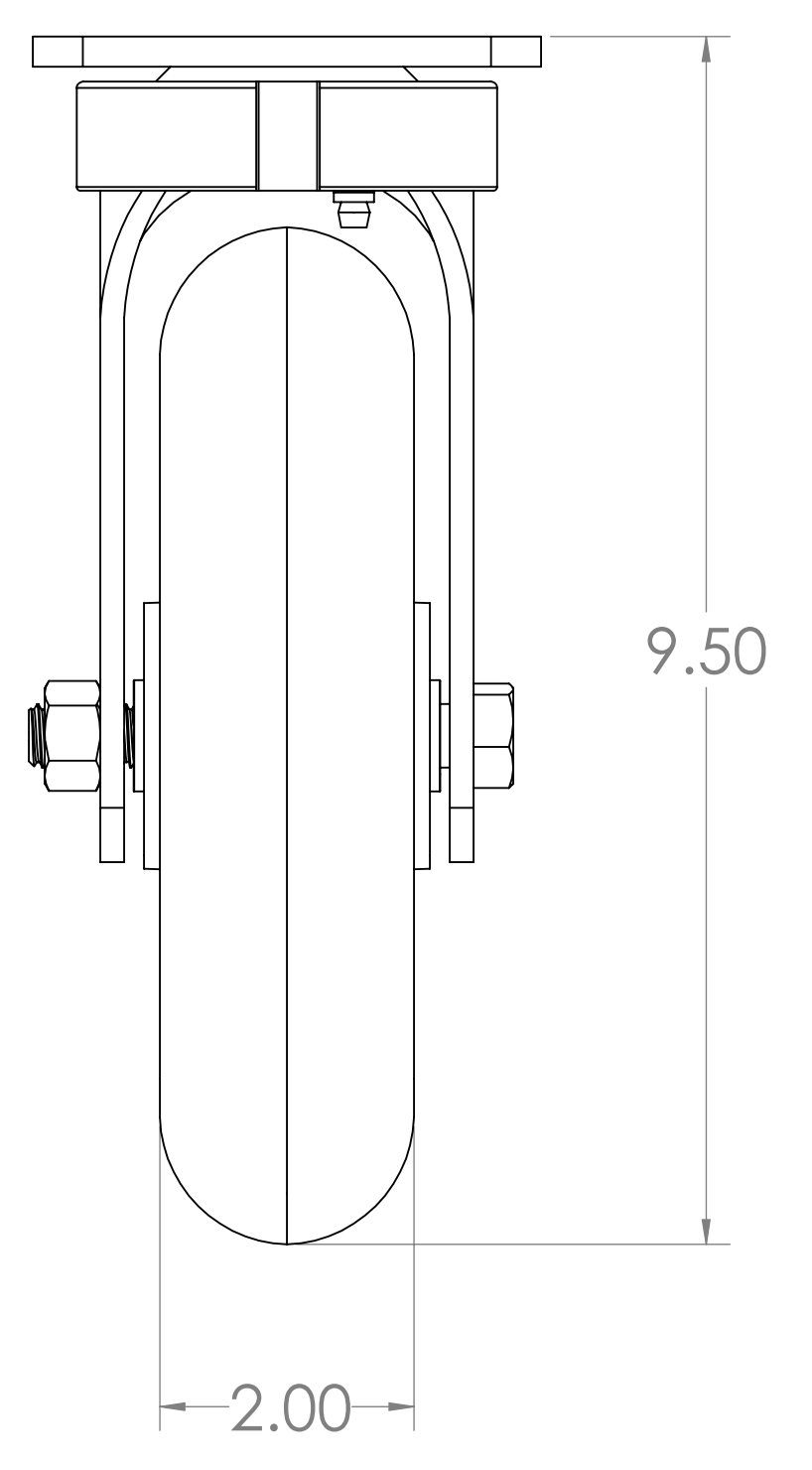
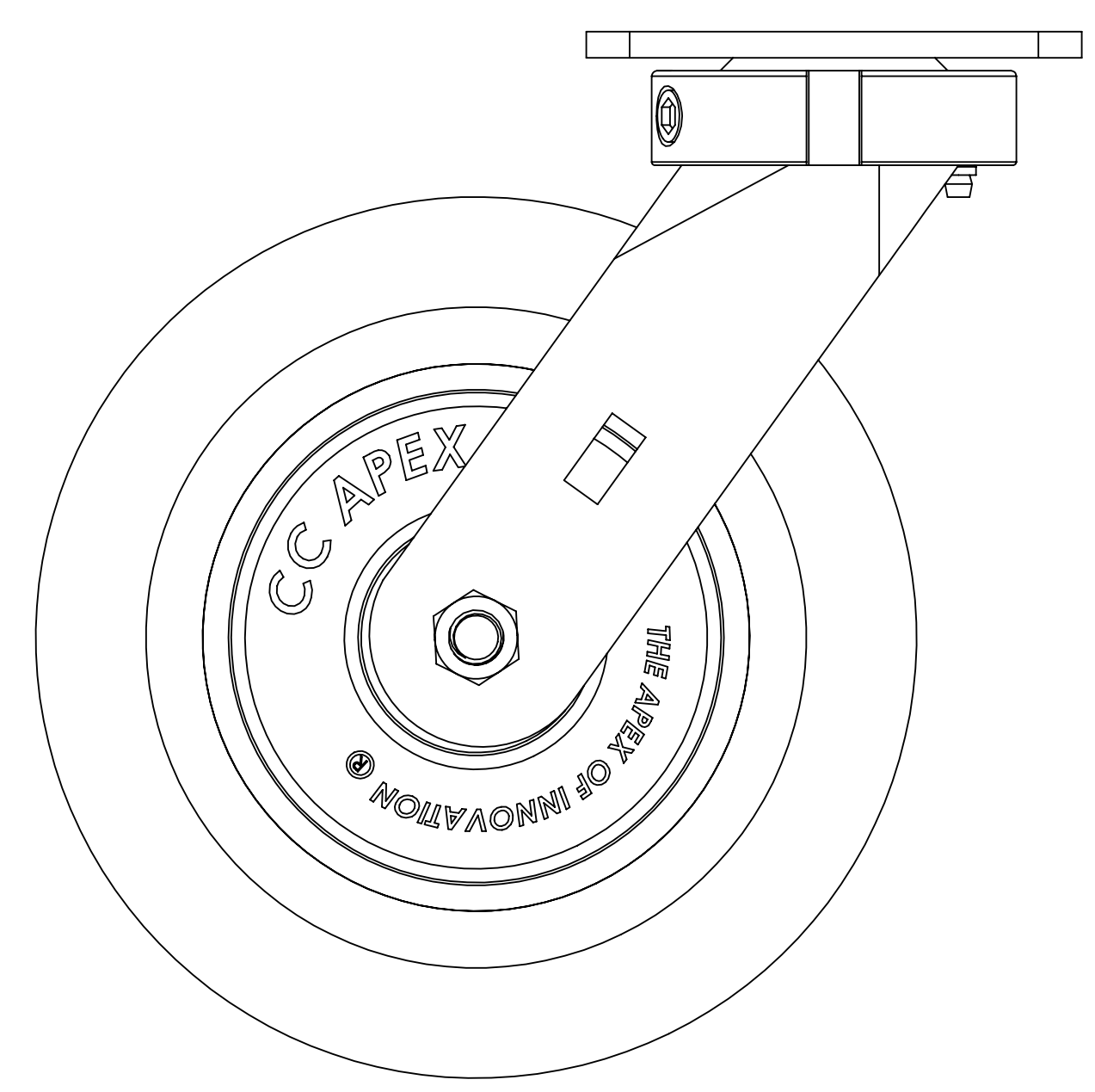
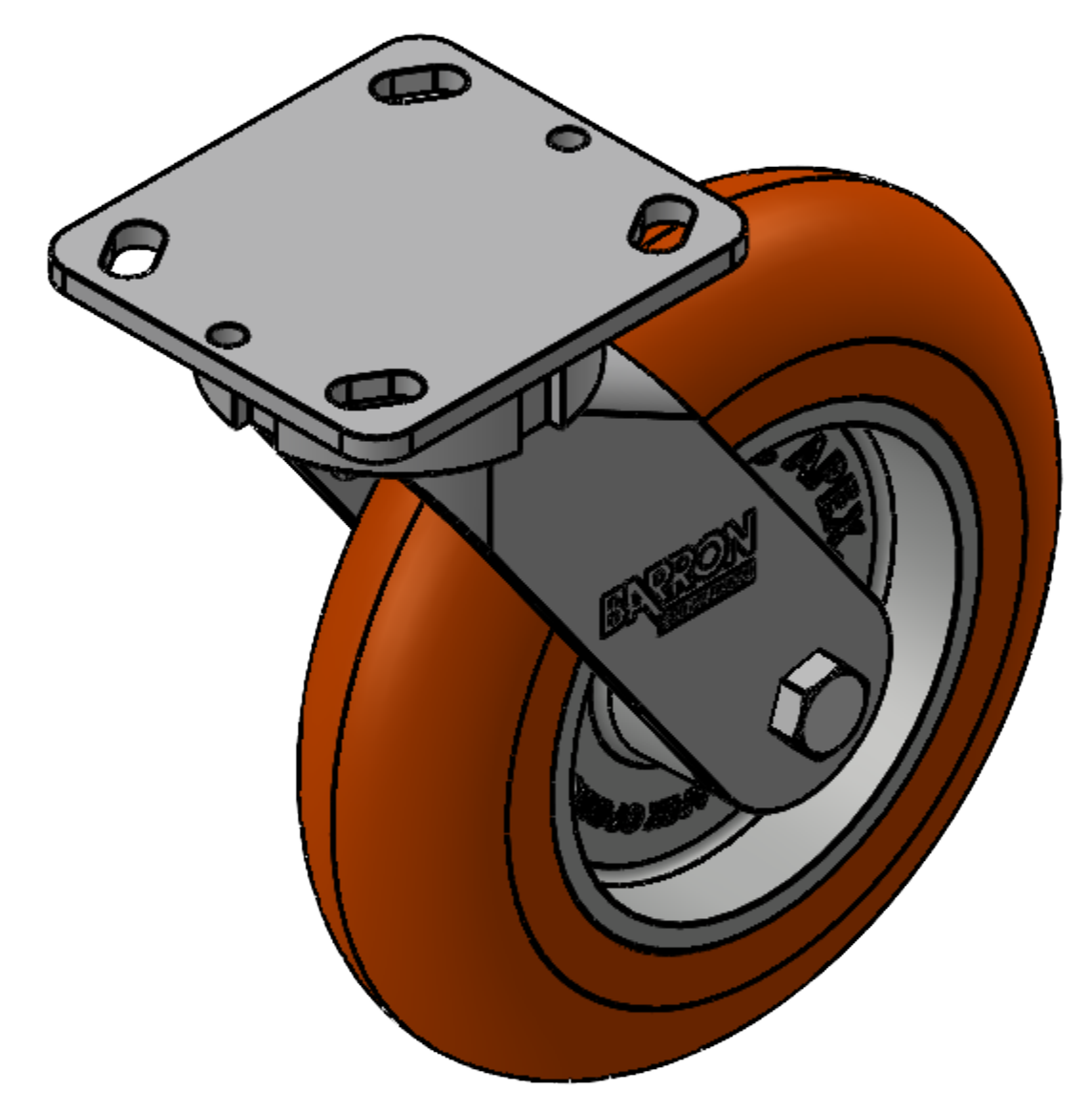
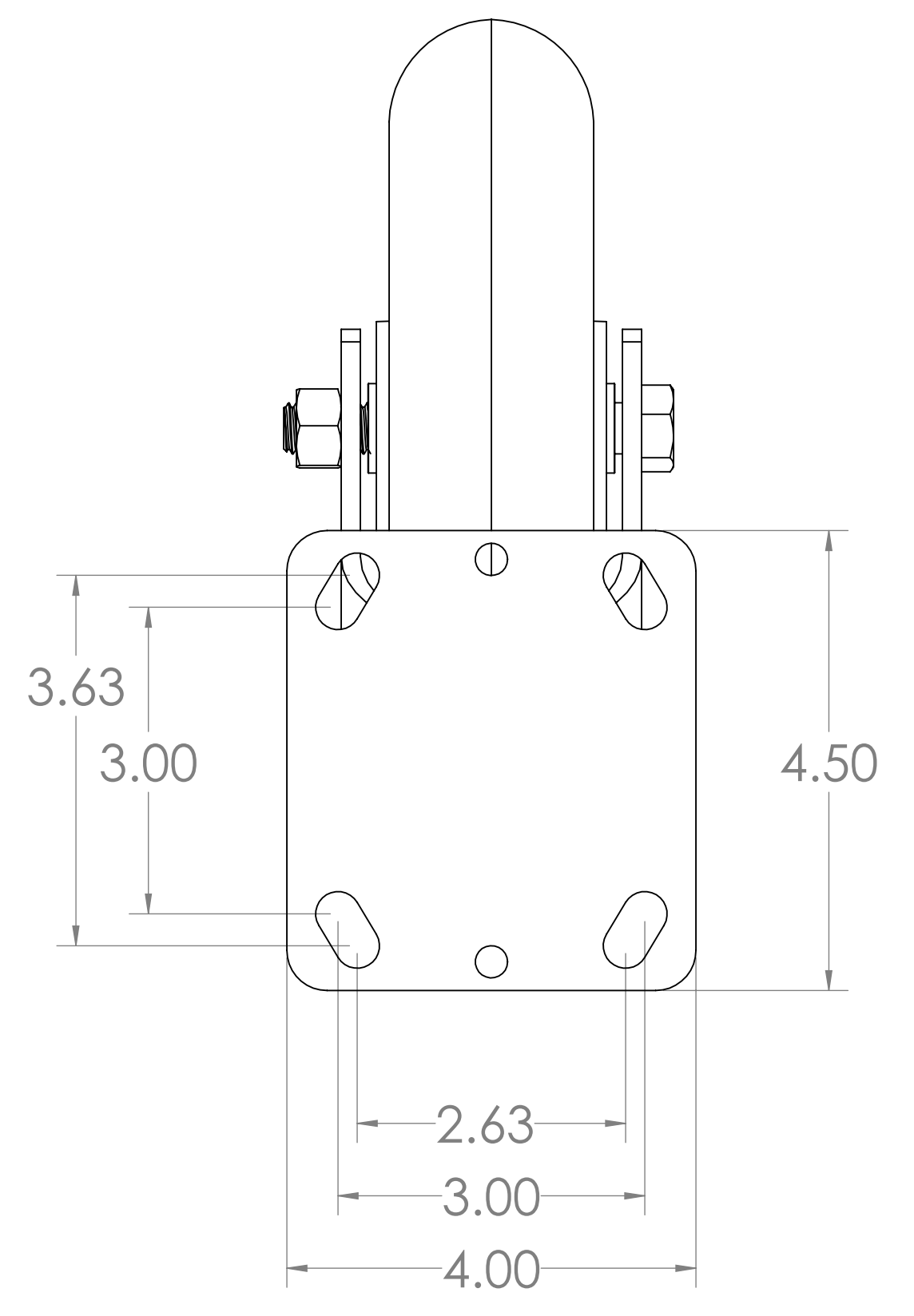
C

B

B

A

A



<p><b>PROPRIETARY AND CONFIDENTIAL</b> THE INFORMATION CONTAINED IN THIS DRAWING IS THE SOLE PROPERTY OF CASTER CONNECTION. ANY REPRODUCTION IN PART OR AS A WHOLE WITHOUT THE WRITTEN PERMISSION OF CASTER CONNECTION IS PROHIBITED.</p>	<p>UNLESS OTHERWISE SPECIFIED: DIMENSIONS ARE IN INCHES</p> <p>TOLERANCES: FRACTIONAL: ±1/8 ANGULAR: ±1 TWO PLACE DECIMAL: ±.1 THREE PLACE DECIMAL: ±.005</p>	<p>BARRON EQUIPMENT COMPANY INC. 4710 N Brady St, Davenport, IA 52806</p>		<p><b>BARRON</b> EQUIPMENT COMPANY INC. OVERHEAD DOORS</p>	<p>TITLE: 60.82.50.APB DESCRIPTION: 8" CC Apex Kingpinless Swivel Caster with Extended Lead Swivel</p>		
		<p>Phone: (800)-397-6690</p>	<p>Fax: (563)-391-1052</p>		<p>Web: barroneq.com</p>	<p>Projection: </p>	<p>DRAWN: J.Green</p>
					<p>CHECKED: S. Saad</p>	<p>SCALE: 1:1.5</p>	<p>SHEET: 1 OF 1</p>

8

7

6

5

4

3

2

1