

8

7

6

5

4

3

2

1

D

D

C

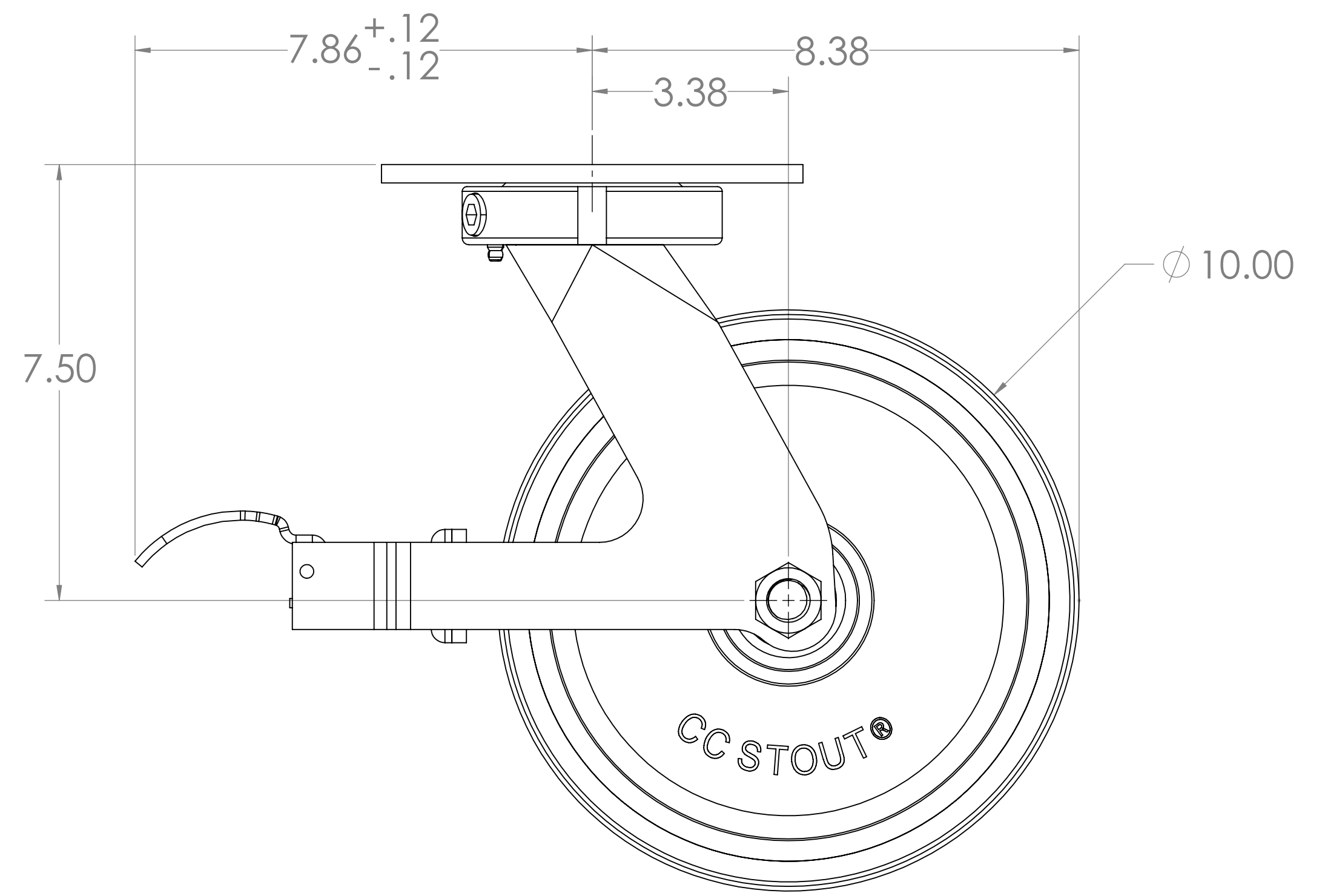
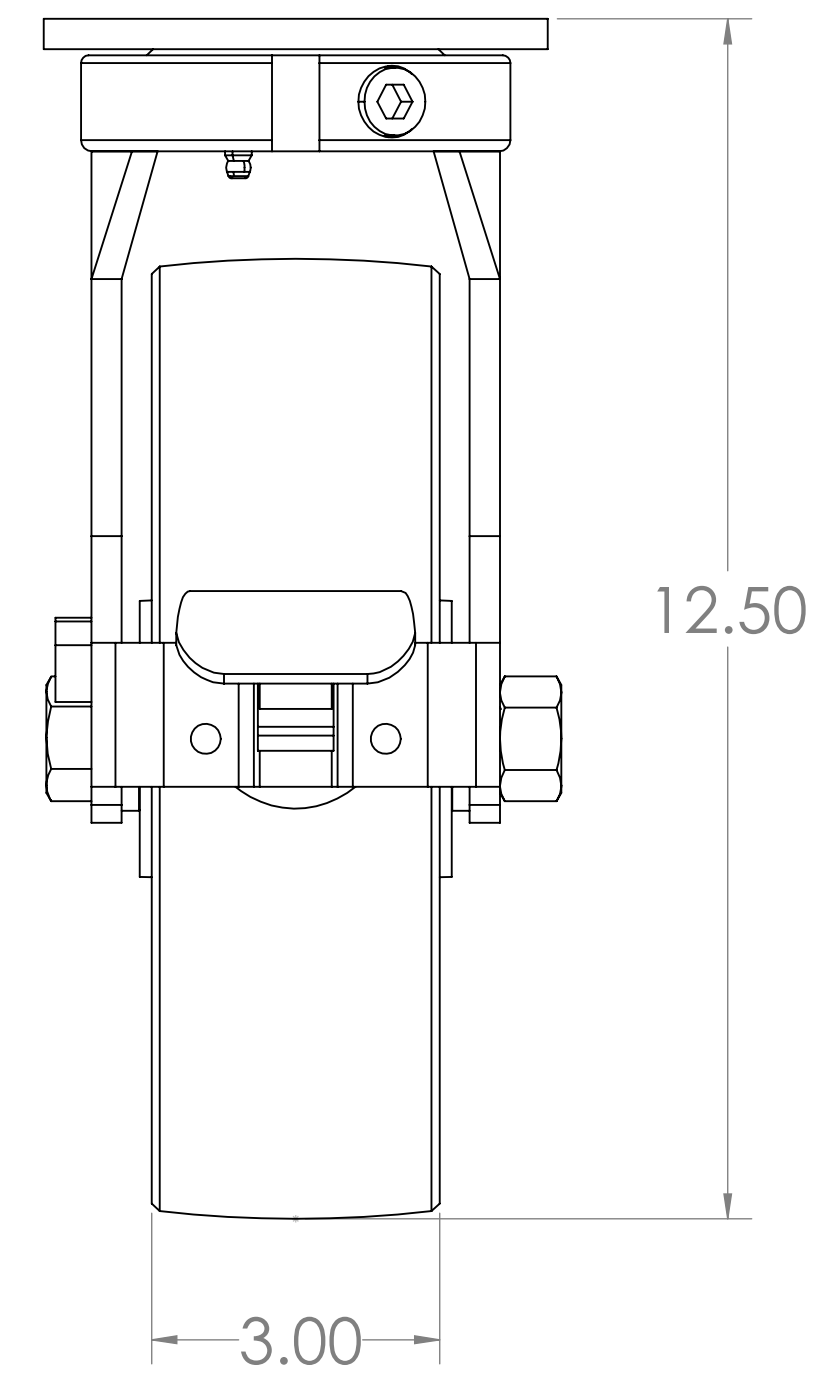
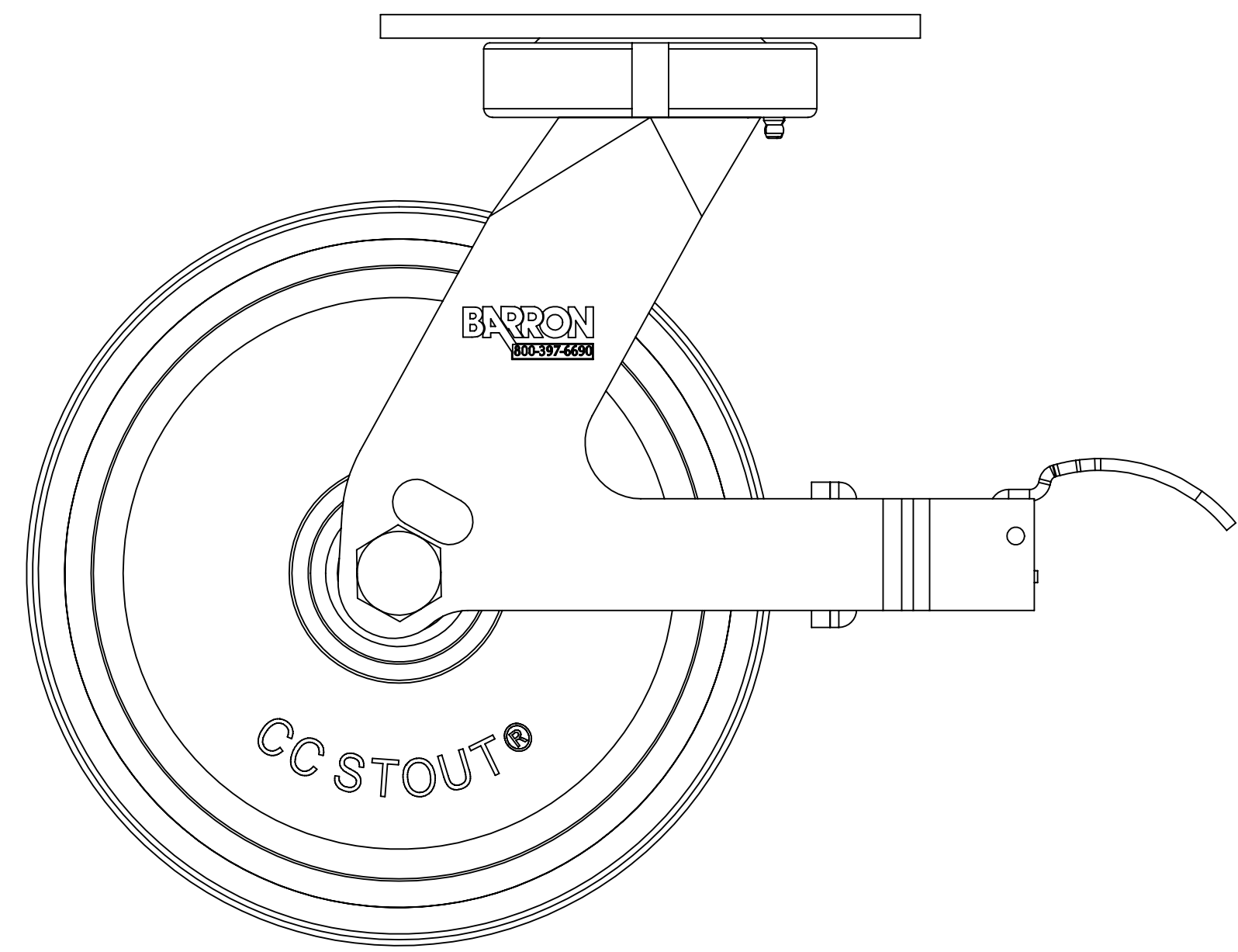
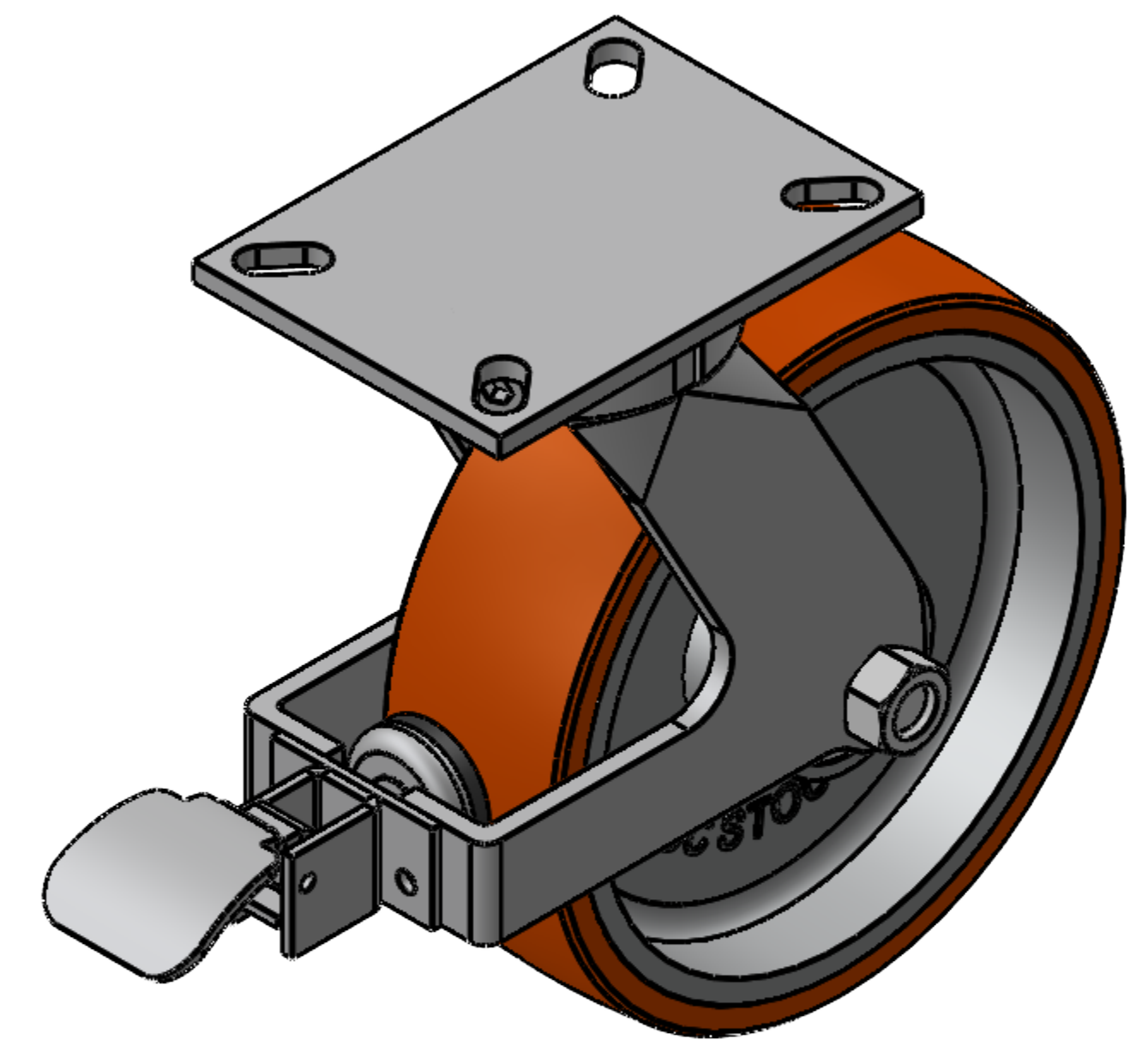
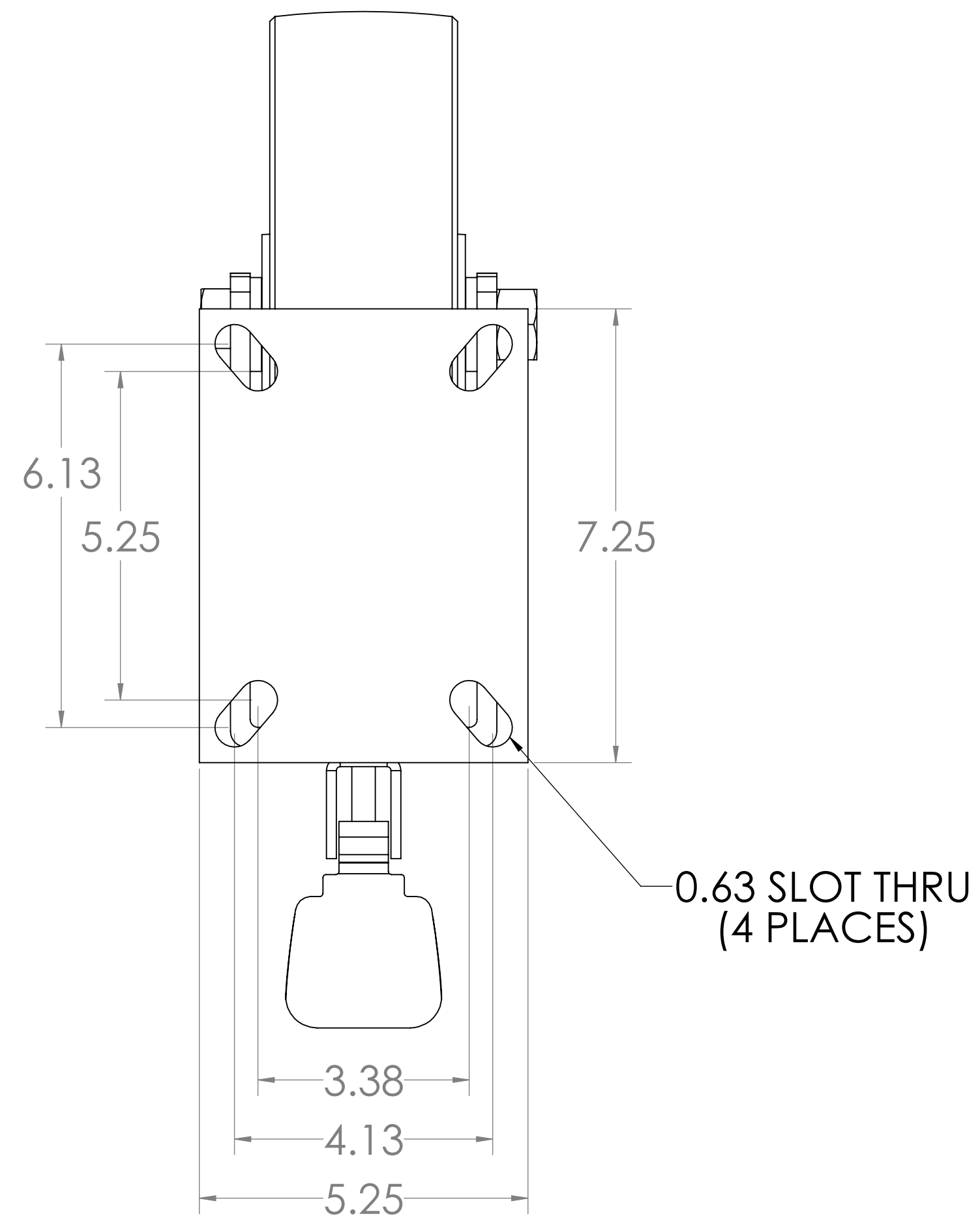
C

B

B

A

A



PROPRIETARY AND CONFIDENTIAL
THE INFORMATION CONTAINED IN THIS
DRAWING IS THE SOLE PROPERTY OF CASTER
CONNECTION. ANY REPRODUCTION IN PART
OR AS A WHOLE WITHOUT THE WRITTEN
PERMISSION OF CASTER CONNECTION IS
PROHIBITED.

UNLESS OTHERWISE SPECIFIED:
DIMENSIONS ARE IN INCHES
TOLERANCES:
FRACTIONAL ±1/8
ANGULAR: ±1
TWO PLACE DECIMAL ±.1
THREE PLACE DECIMAL ±.005

BARRON EQUIPMENT COMPANY INC.
4710 N Brady St, Davenport, IA 52806

Phone: (800)-397-6690

Fax: (563)-391-1052

Web: barroneq.com

Projection:



TITLE: 70.103.55.APB.CWB

DESCRIPTION: 10" CC Stout Kingpinless Swivel Caster with

DRAWN: J.Green

DATE: 12/11/2019

WEIGHT: 33.25 LBS

CHECKED: S. Saad

SCALE: 1:2

SHEET: 1 OF 1

8

7

6

5

4

3

2

1