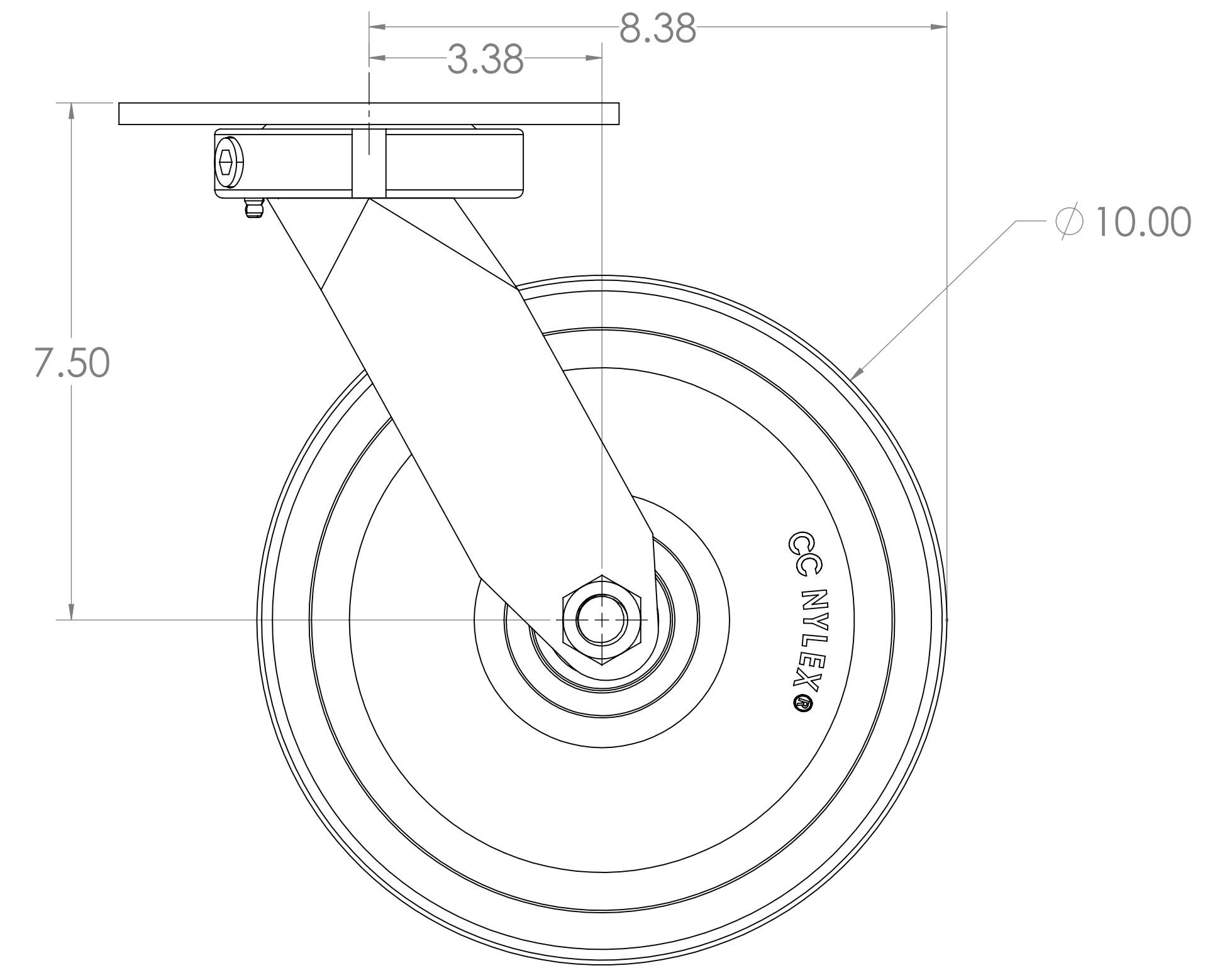
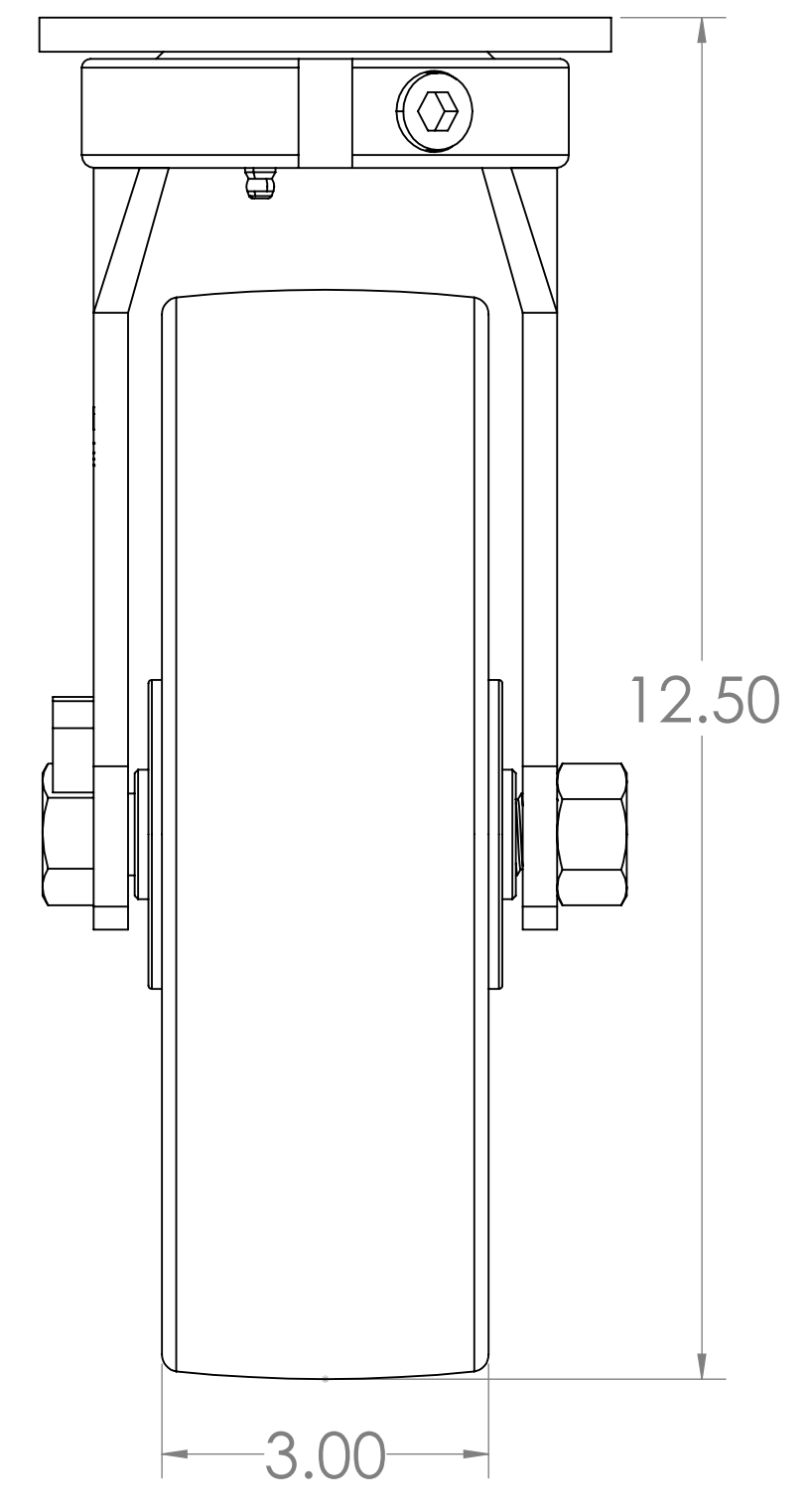
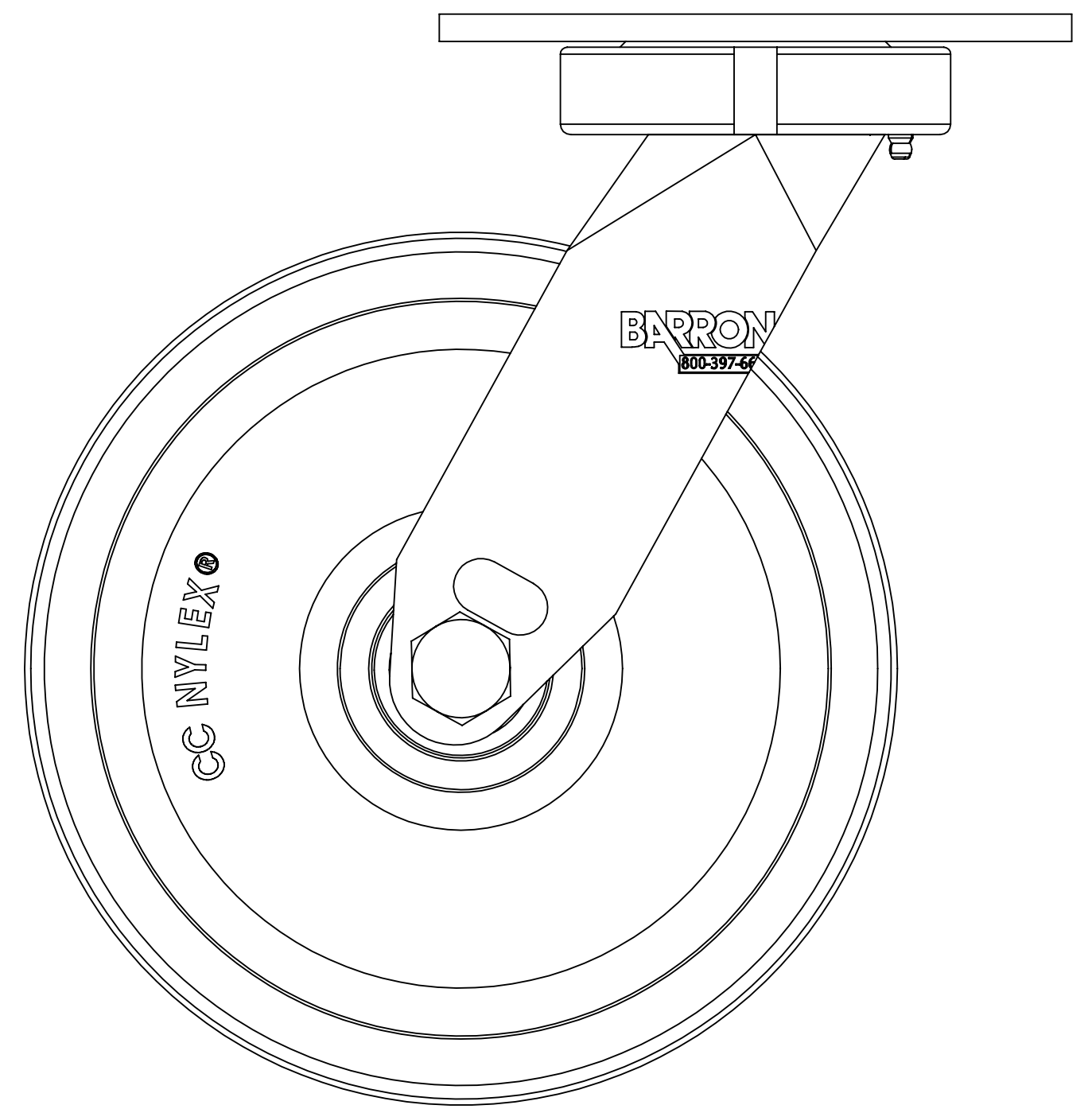
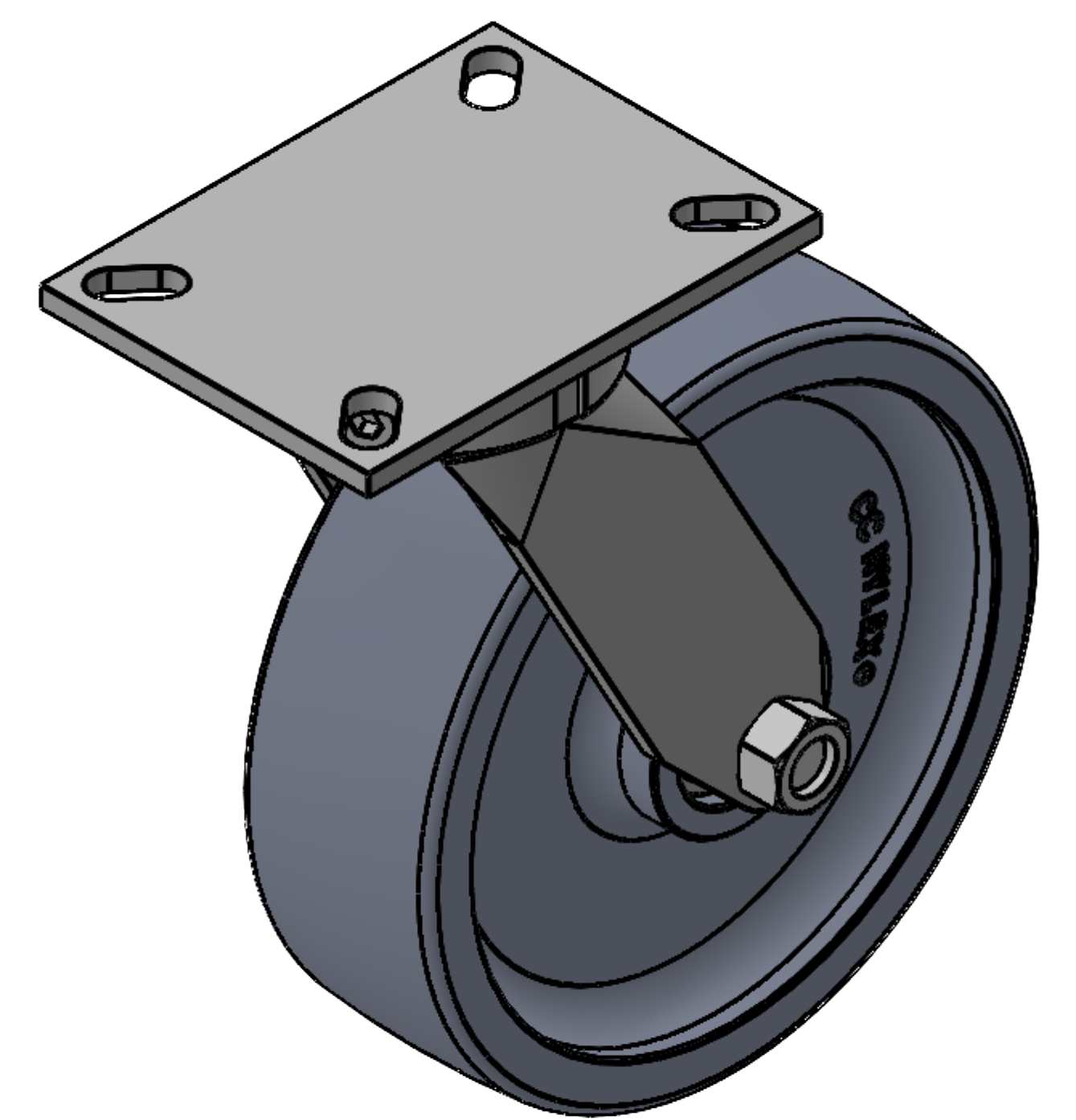
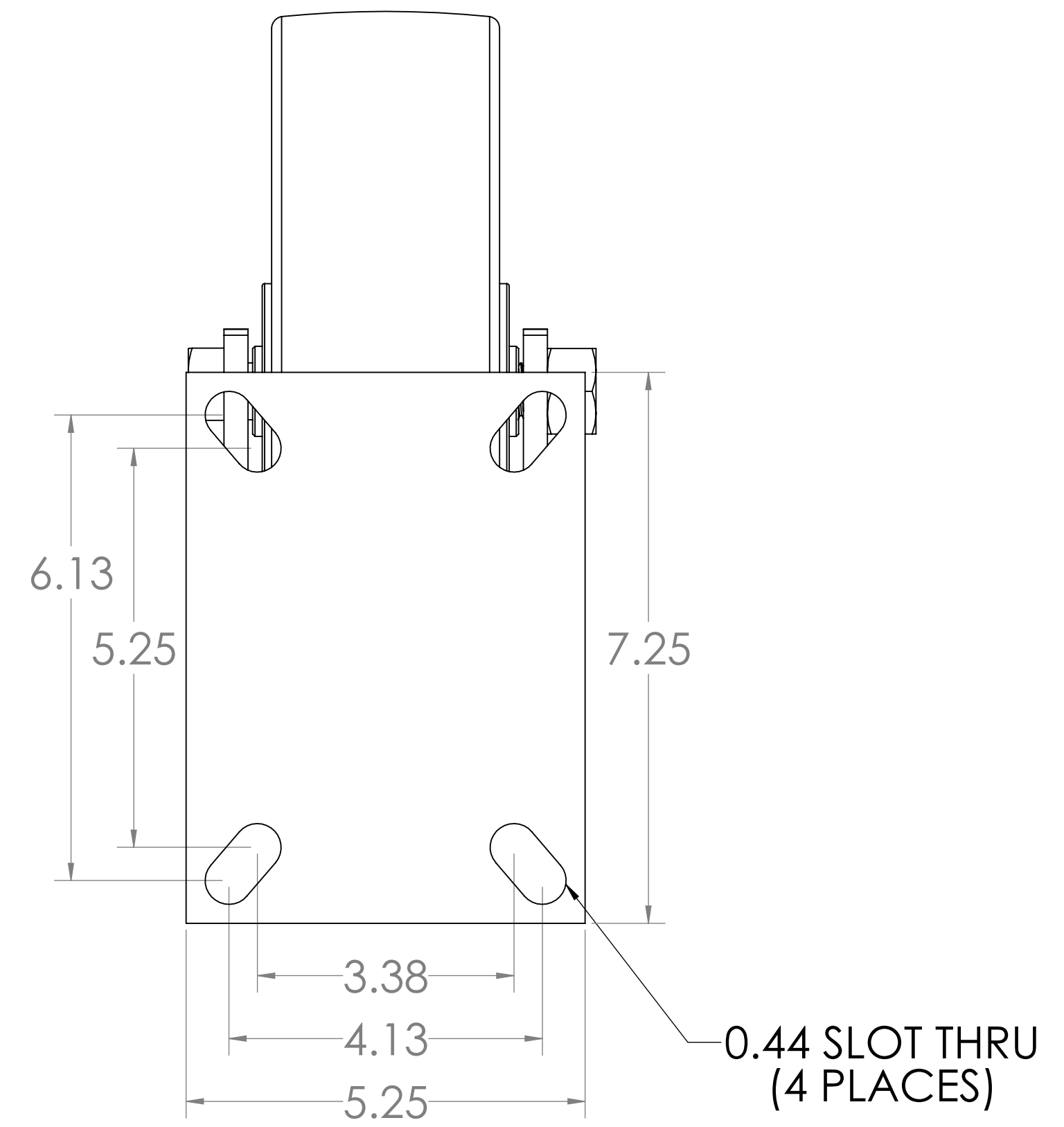


8 7 6 5 4 3 2 1

D  
C  
B  
A

D  
C  
B  
A



<b>PROPRIETARY AND CONFIDENTIAL</b> THE INFORMATION CONTAINED IN THIS DRAWING IS THE SOLE PROPERTY OF CASTER CONNECTION. ANY REPRODUCTION IN PART OR AS A WHOLE WITHOUT THE WRITTEN PERMISSION OF CASTER CONNECTION IS PROHIBITED.	UNLESS OTHERWISE SPECIFIED: DIMENSIONS ARE IN INCHES  TOLERANCES: FRACTIONAL: ±1/8 ANGULAR: ±1 TWO PLACE DECIMAL: ±.1 THREE PLACE DECIMAL: ±.005	<b>BARRON EQUIPMENT COMPANY INC.</b> 4710 N Brady St, Davenport, IA 52806		<b>BARRON</b> EQUIPMENT COMPANY INC. OVERHEAD DODDS	TITLE: 70.103.55.SEB
		Phone: (800)-397-6690	Fax: (563)-391-1052		DESCRIPTION: 10" CC Nylex Kingpinless Swivel Caster
		Web: barroneq.com	Projection:	DRAWN: J.Green	DATE: 11/11/2019
				CHECKED: S. Saad	WEIGHT: 17.65 LBS SCALE: 1:1.75 SHEET: 1 OF 1

8 7 6 5 4 3 2 1