

8

7

6

5

4

3

2

1

D

D

C

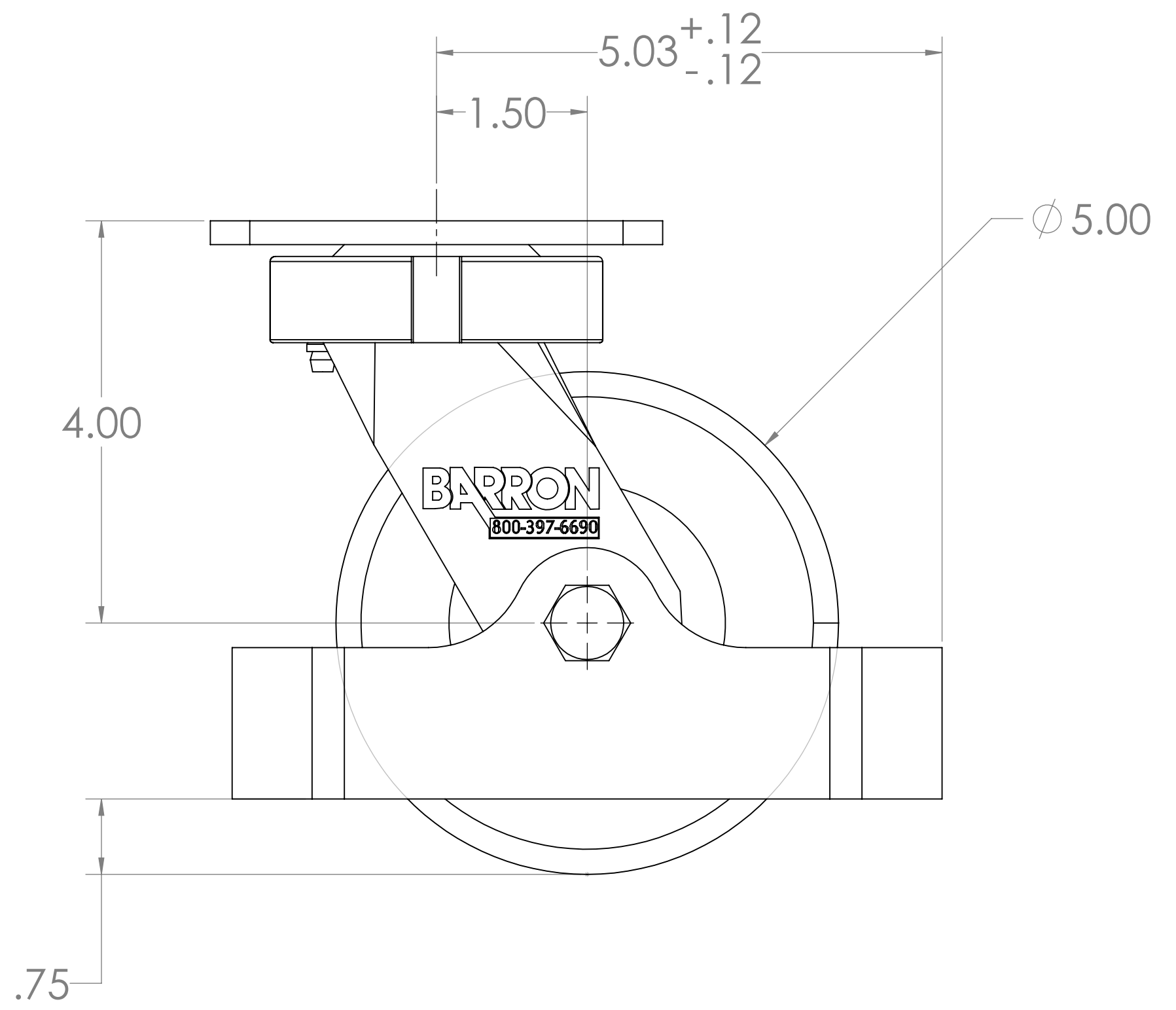
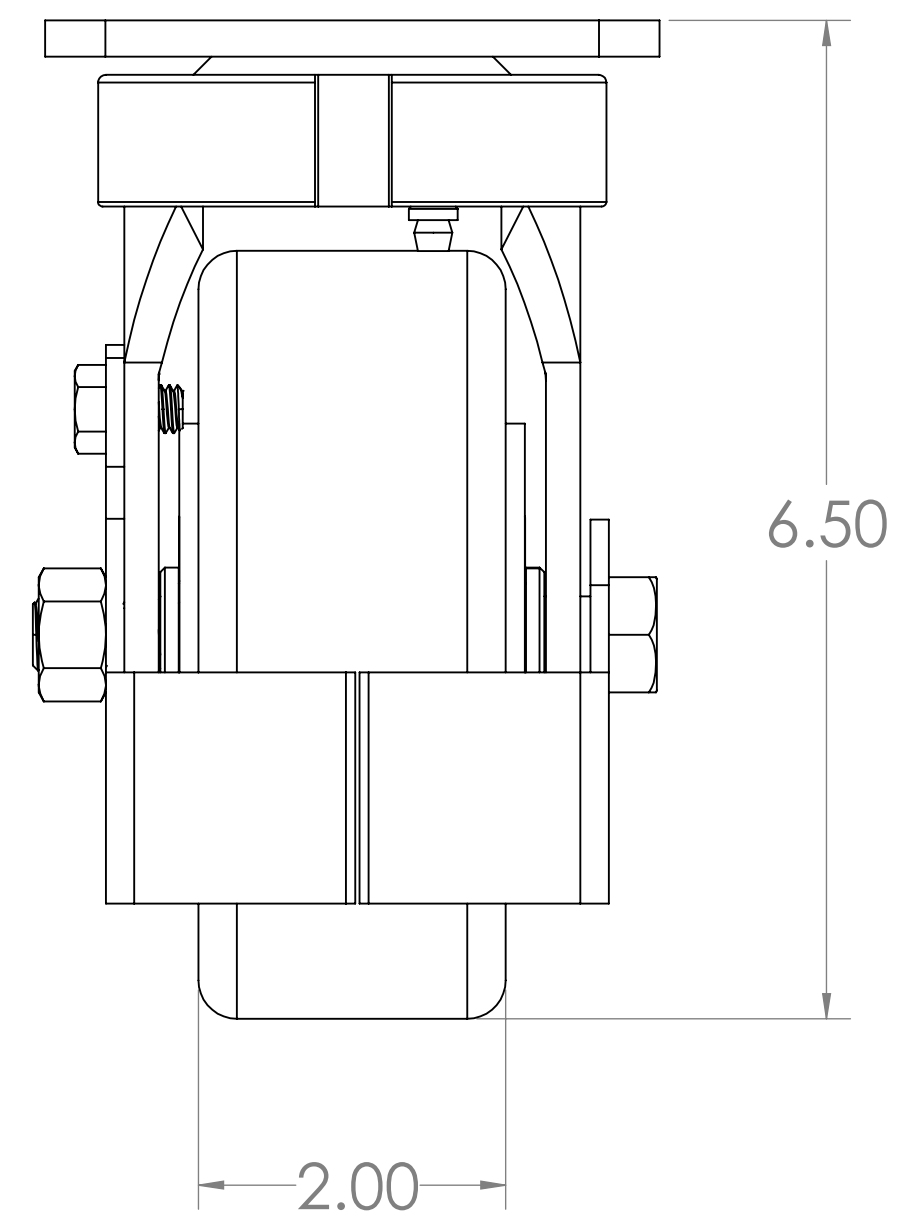
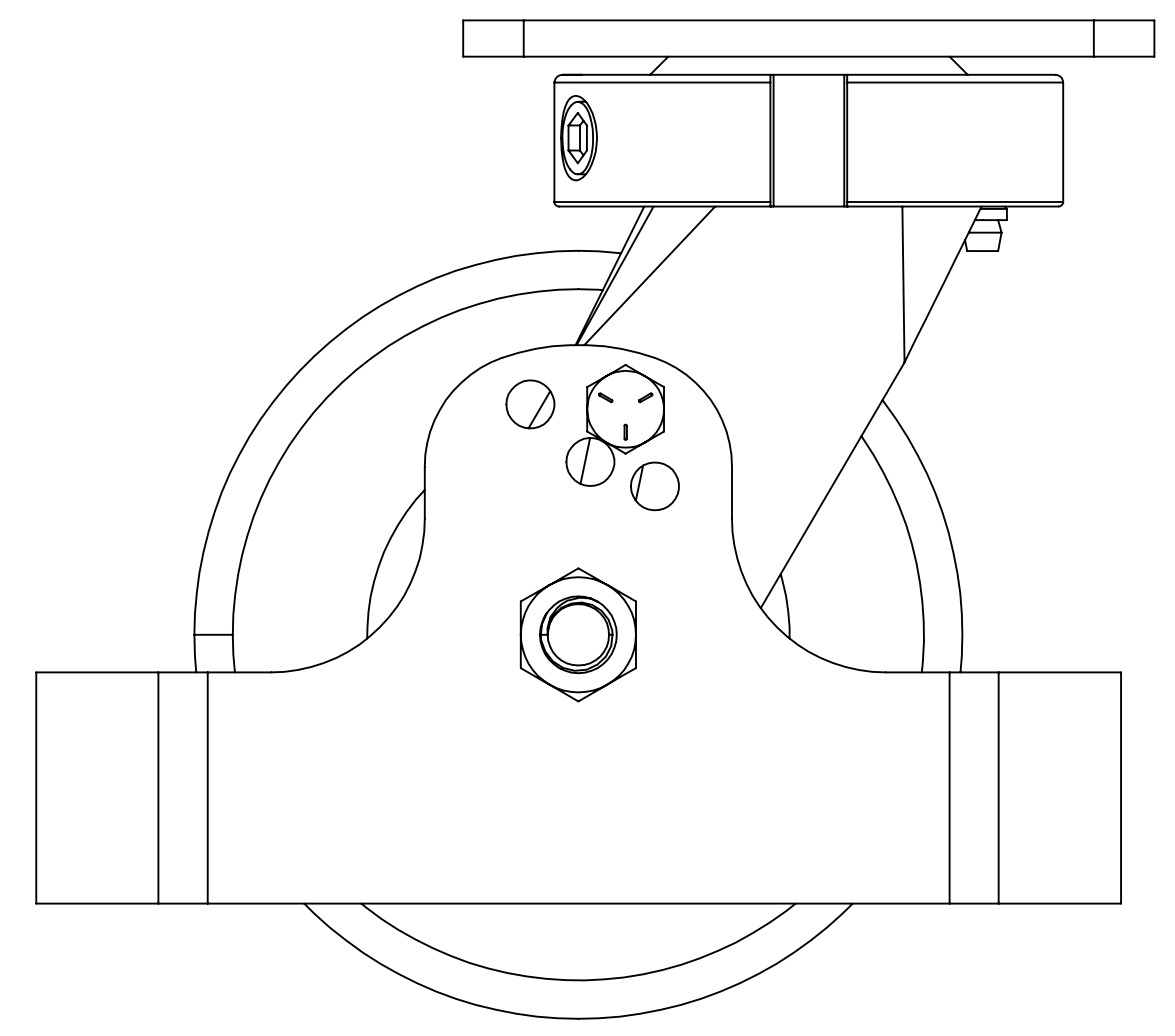
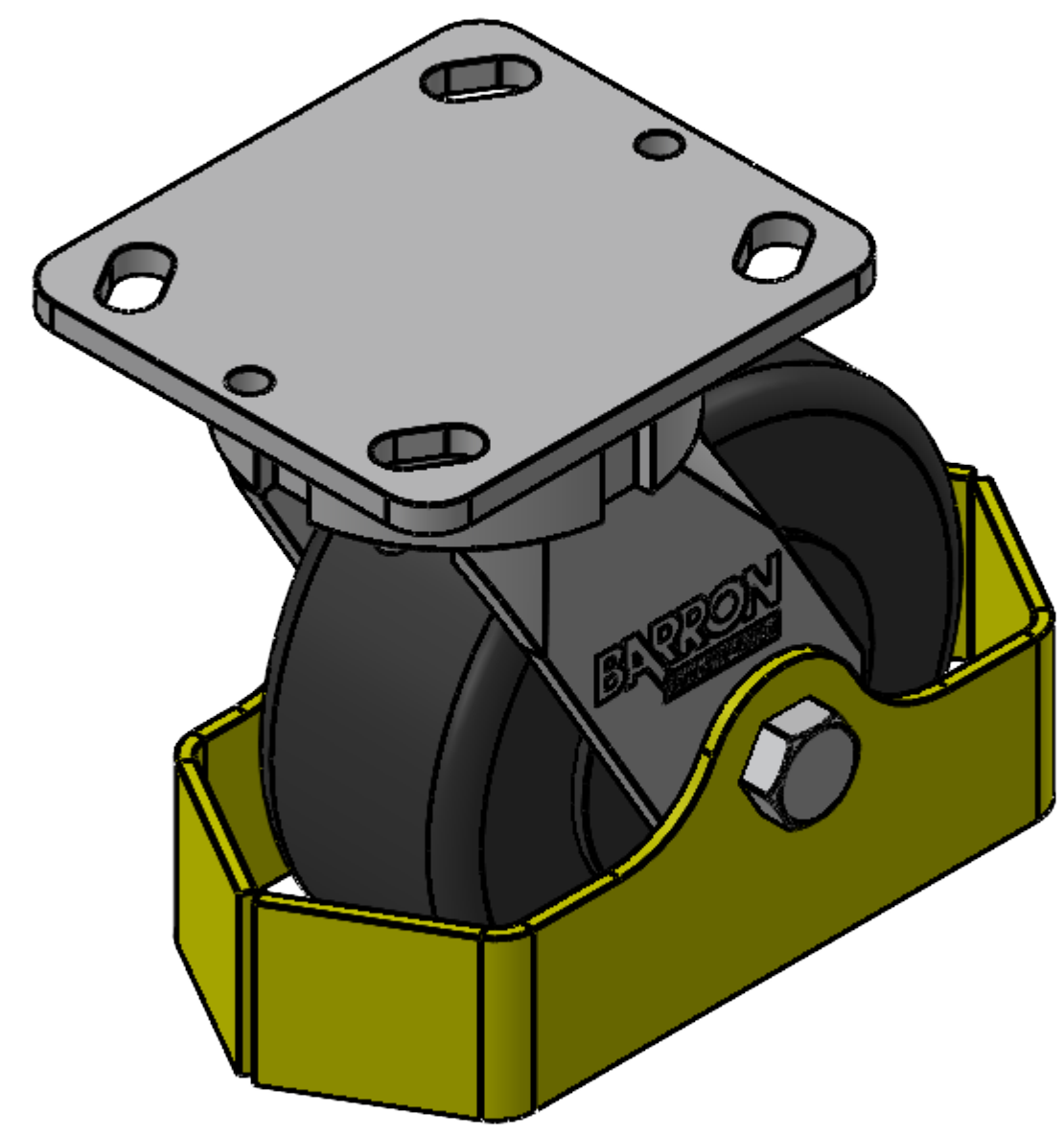
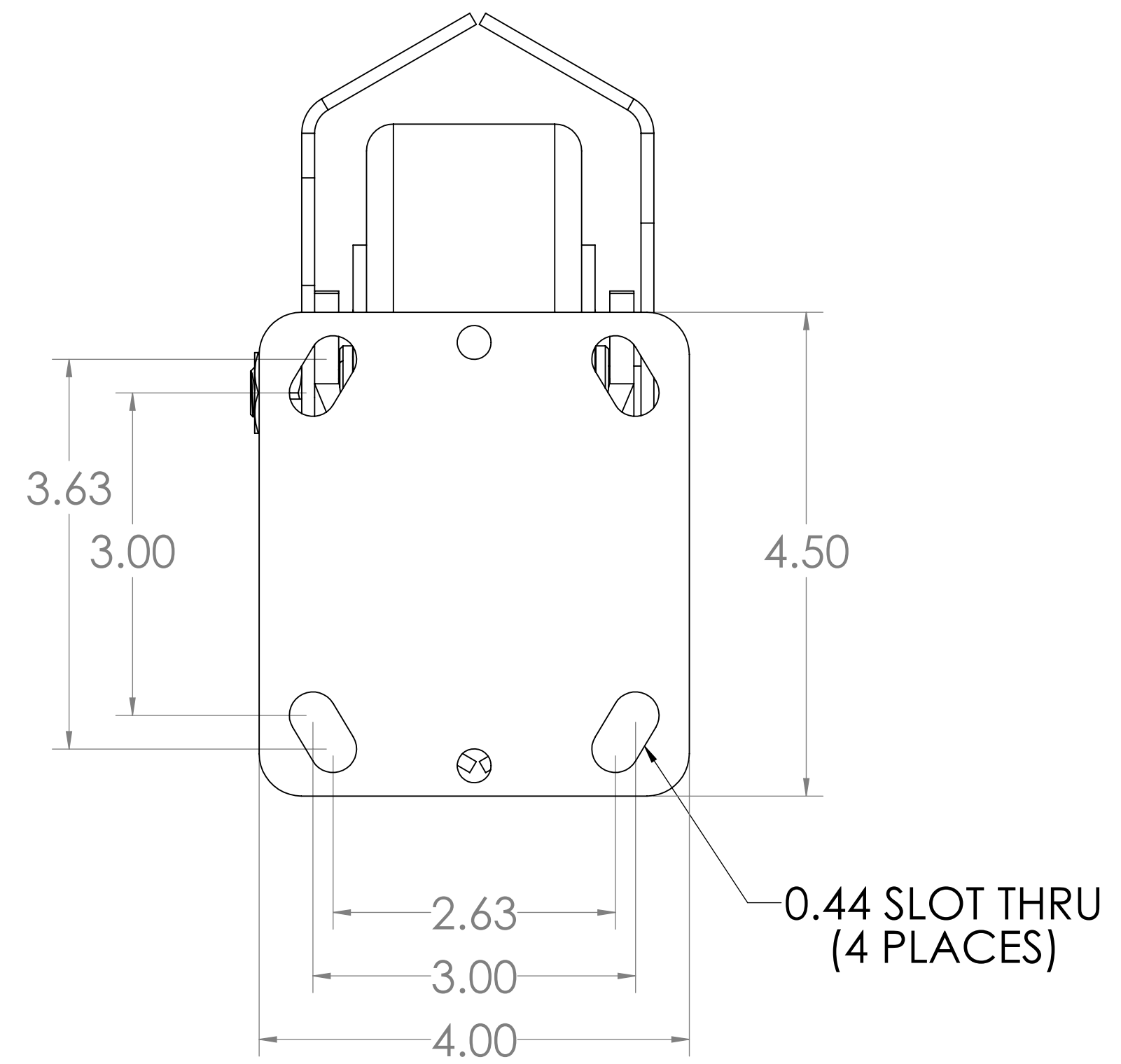
C

B

B

A

A



PROPRIETARY AND CONFIDENTIAL THE INFORMATION CONTAINED IN THIS DRAWING IS THE SOLE PROPERTY OF BARRON EQUIPMENT COMPANY INC. ANY REPRODUCTION IN PART OR AS A WHOLE WITHOUT THE WRITTEN PERMISSION OF BARRON EQUIPMENT COMPANY INC. IS PROHIBITED.	UNLESS OTHERWISE SPECIFIED: DIMENSIONS ARE IN INCHES TOLERANCES: FRACTIONAL: ±1/8 ANGULAR: ±1 TWO PLACE DECIMAL: ±.1 THREE PLACE DECIMAL: ±.005	BARRON EQUIPMENT COMPANY INC. 4710 N Brady St, Davenport, IA 52806			TITLE: 60.52.50.NYB.TG DESCRIPTION: 5" Nylast Kingpinless Swivel Caster with Foot Guard		
		Phone: (800)-397-6690	Fax: (563)-391-1052		DRAWN: J.Green	DATE: 8/31/2020	WEIGHT: 6.85 LBS
		Web: barroneq.com	Projection:	CHECKED: S. Saad	SCALE: 1:1.25	SHEET: 1 OF 1	

8

7

6

5

4

3

2

1