

8

7

6

5

4

3

2

1

D

D

C

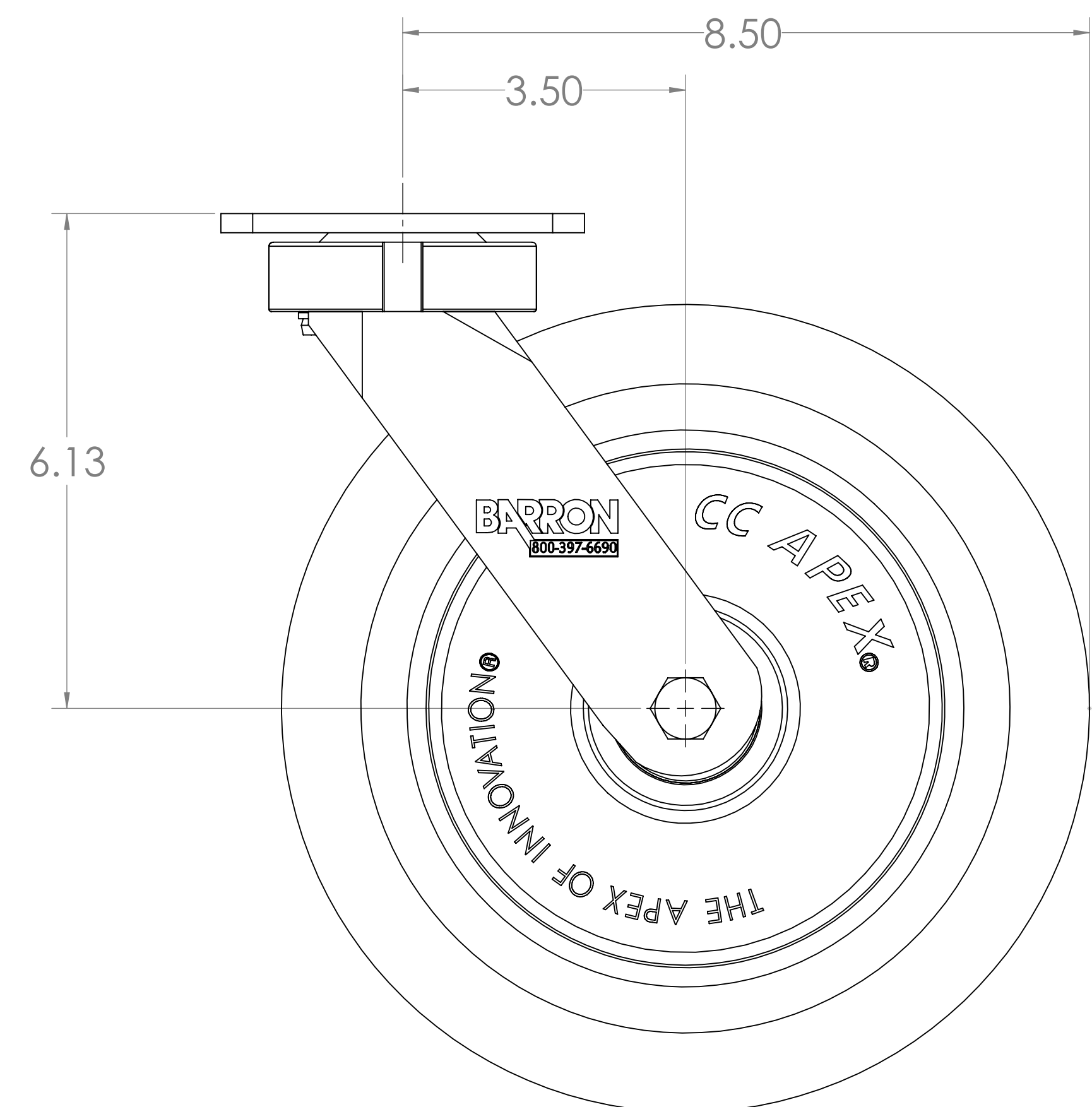
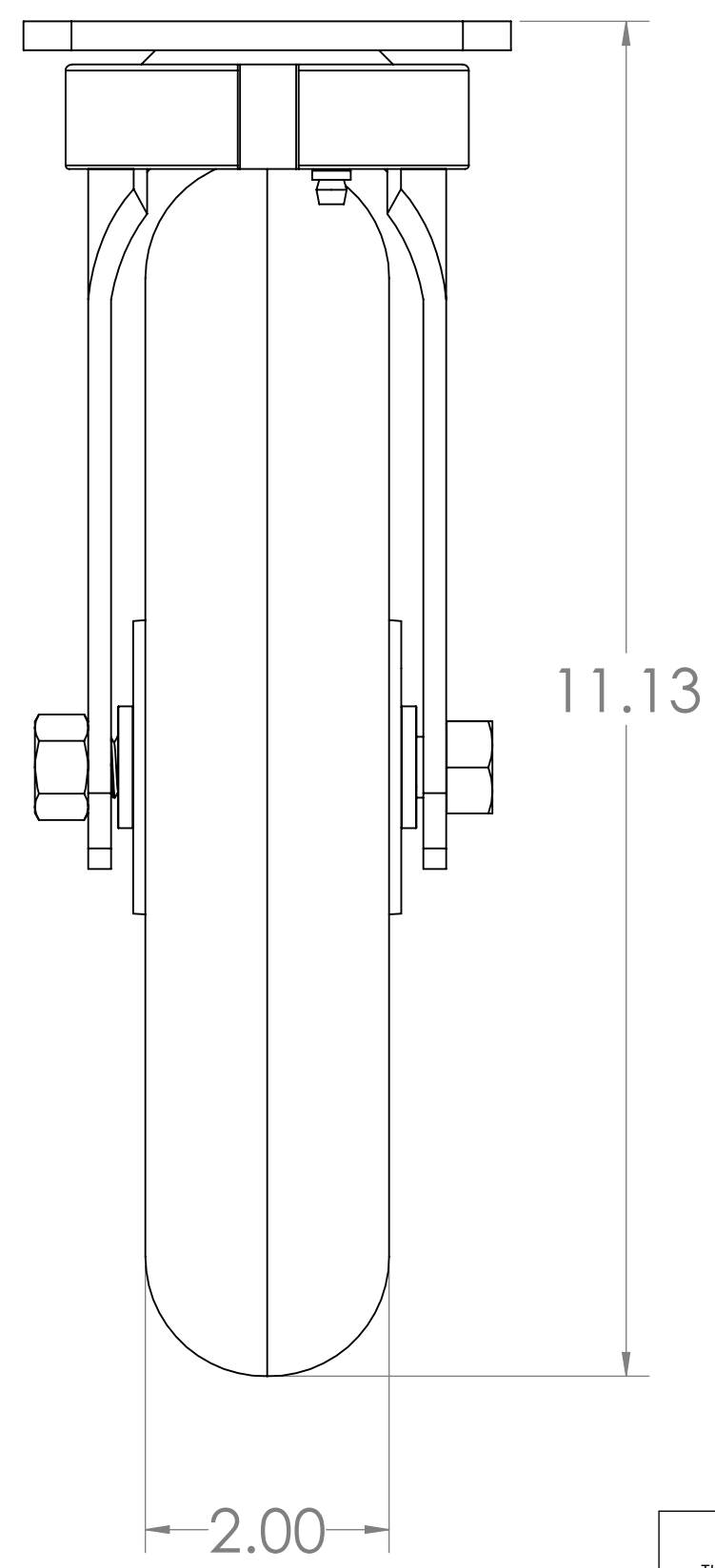
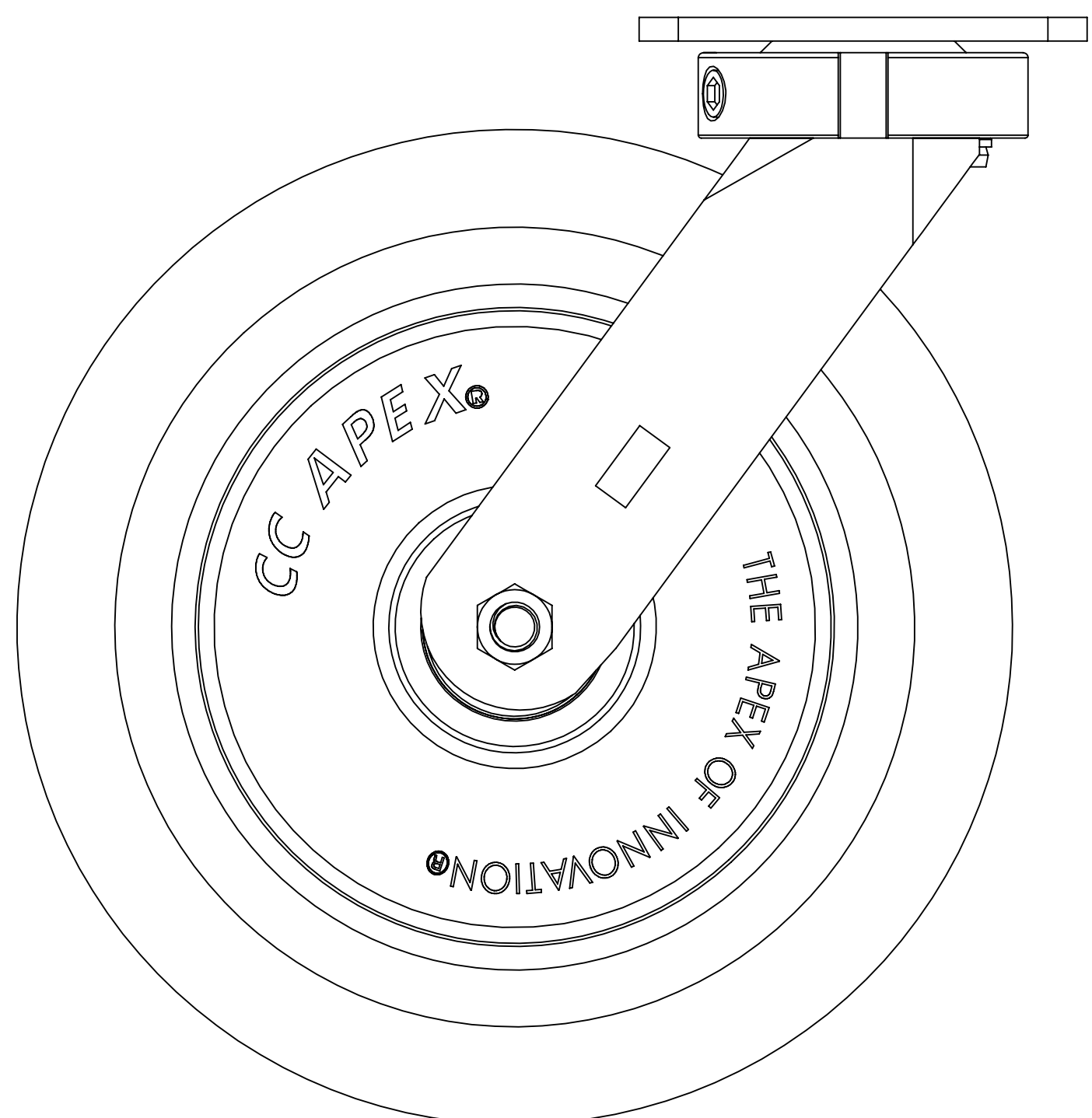
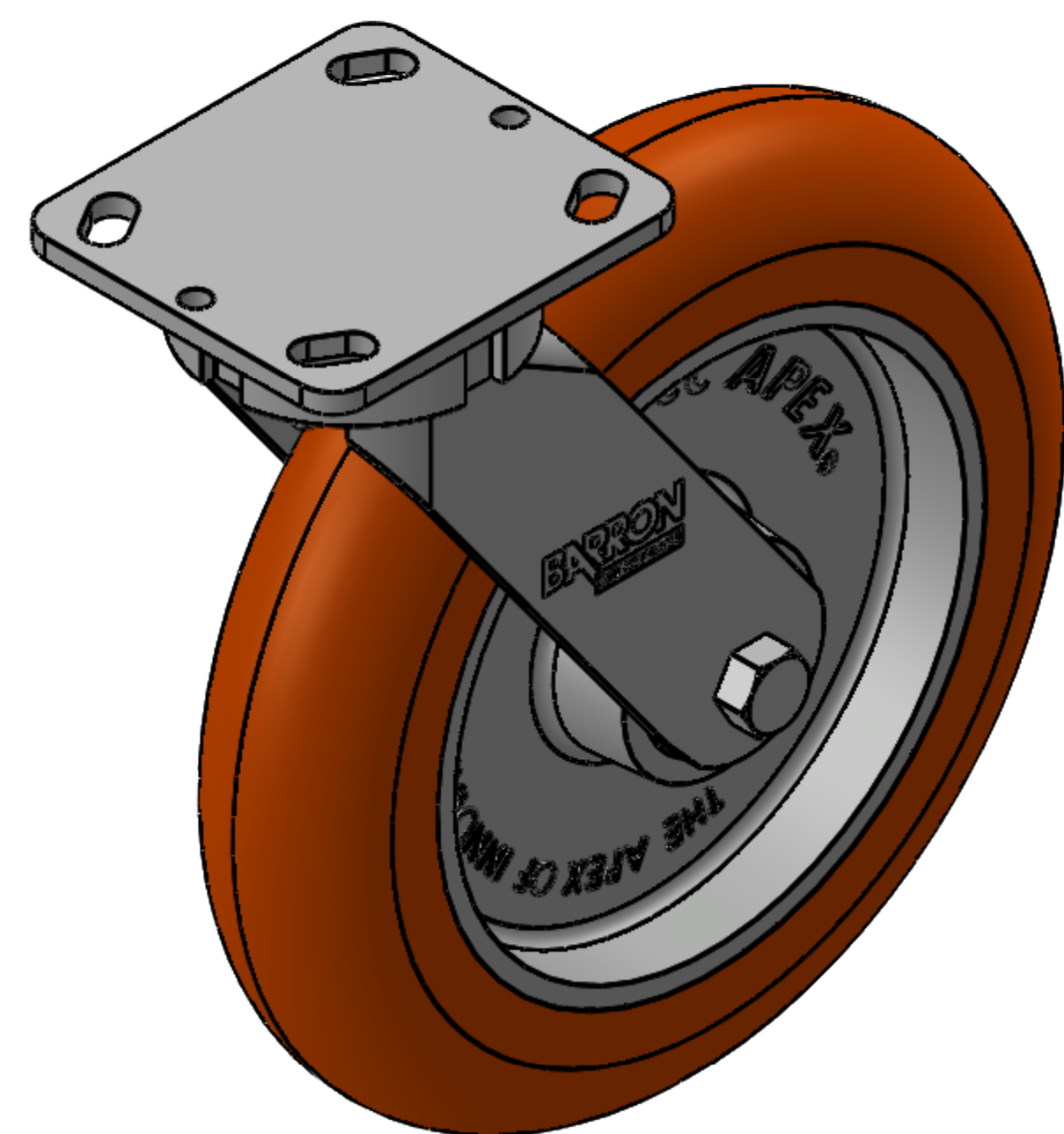
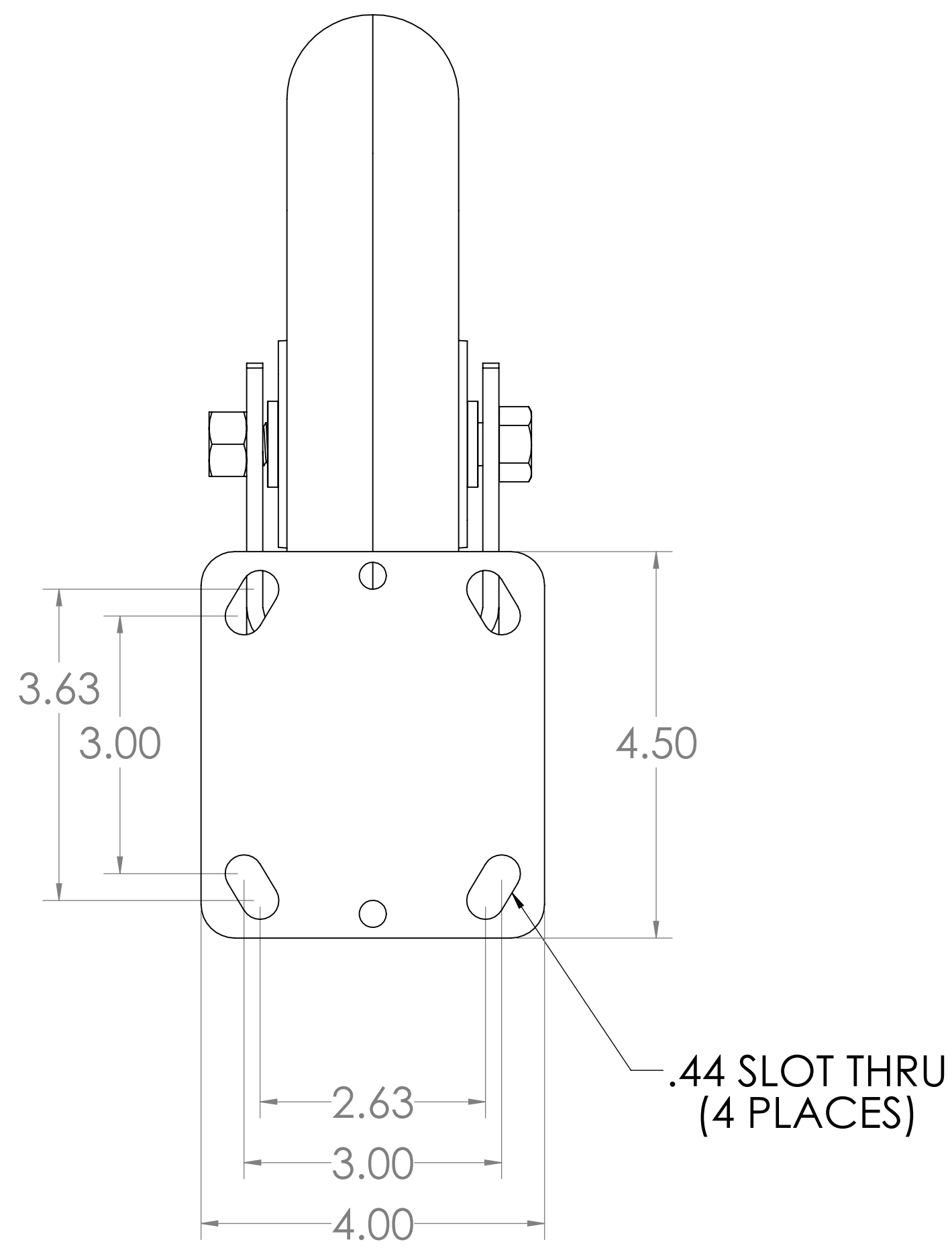
C

B

B

A

A



PROPRIETARY AND CONFIDENTIAL
THE INFORMATION CONTAINED IN THIS
DRAWING IS THE SOLE PROPERTY OF CASTER
CONNECTION. ANY REPRODUCTION IN PART
OR AS A WHOLE WITHOUT THE WRITTEN
PERMISSION OF CASTER CONNECTION IS
PROHIBITED.

UNLESS OTHERWISE SPECIFIED:
DIMENSIONS ARE IN INCHES
TOLERANCES:
FRACTIONAL ± 1/8
ANGULAR: ± 1°
TWO PLACE DECIMAL ± .1
THREE PLACE DECIMAL ± .005

BARRON EQUIPMENT COMPANY INC.
4710 N Brady St, Davenport, IA 52806
Phone: (800)-397-6690 Fax: (563)-391-1052
Web: barroneq.com Projection:



TITLE: 60.102.50.APB		
DESCRIPTION: 10" CC Apex Kingpinless Swivel Caster		
DRAWN: J.Green	DATE: 1/17/2019	WEIGHT: 10.15 LBS
CHECKED: S. Saad	SCALE: 1:1.5	SHEET: 1 OF 1

8

7

6

5

4

3

2

1