

8

7

6

5

4

3

2

1

D

D

C

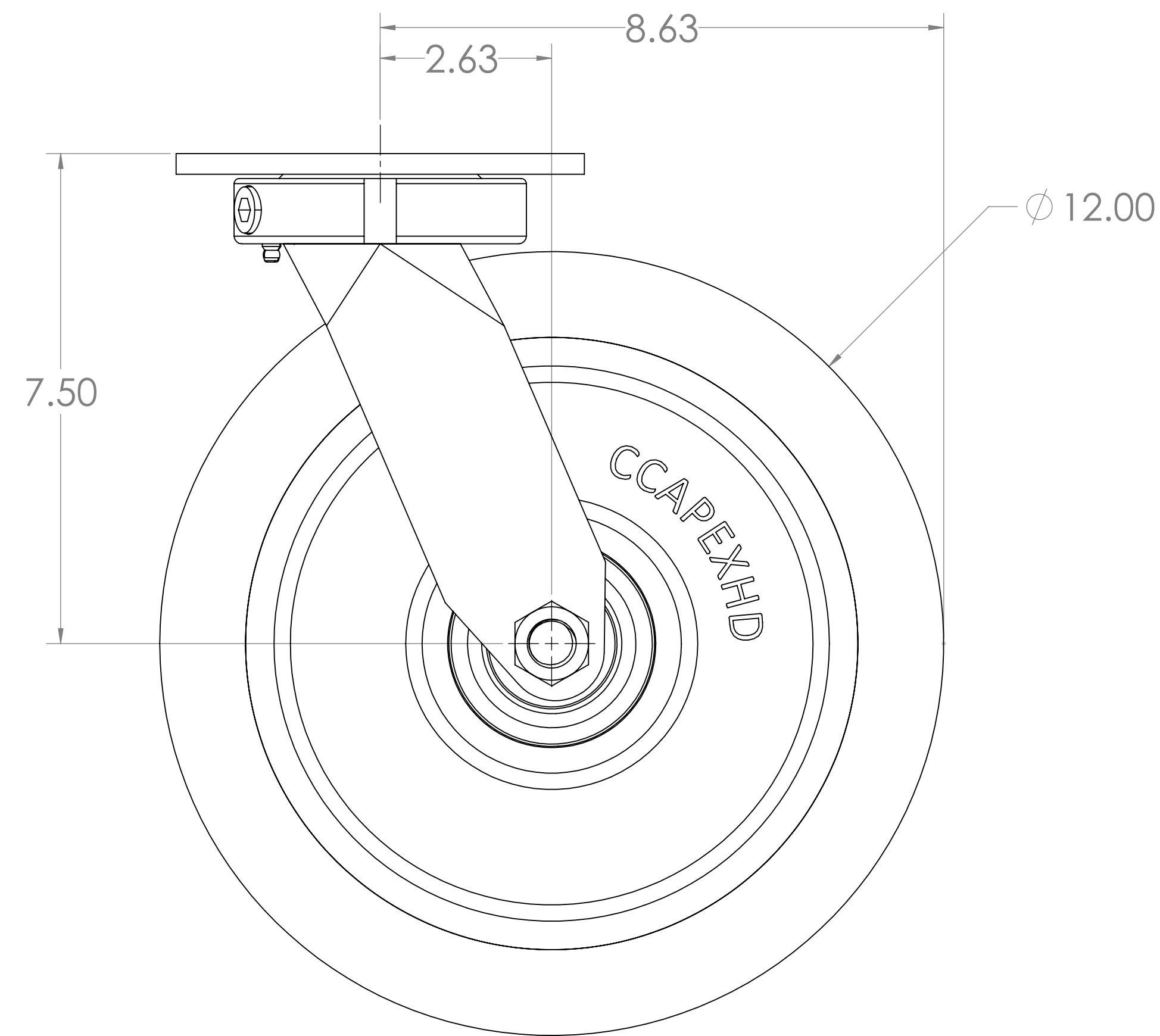
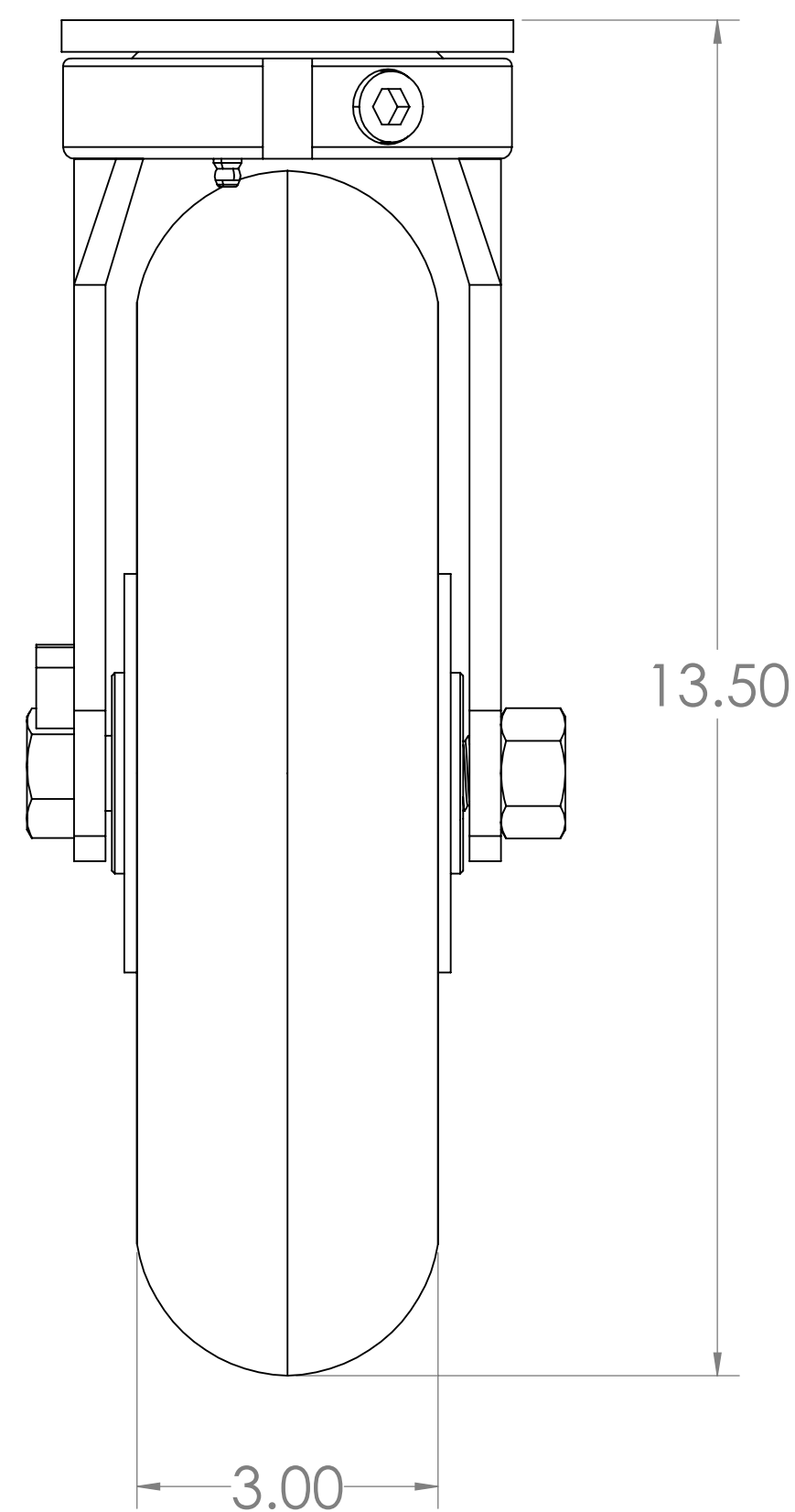
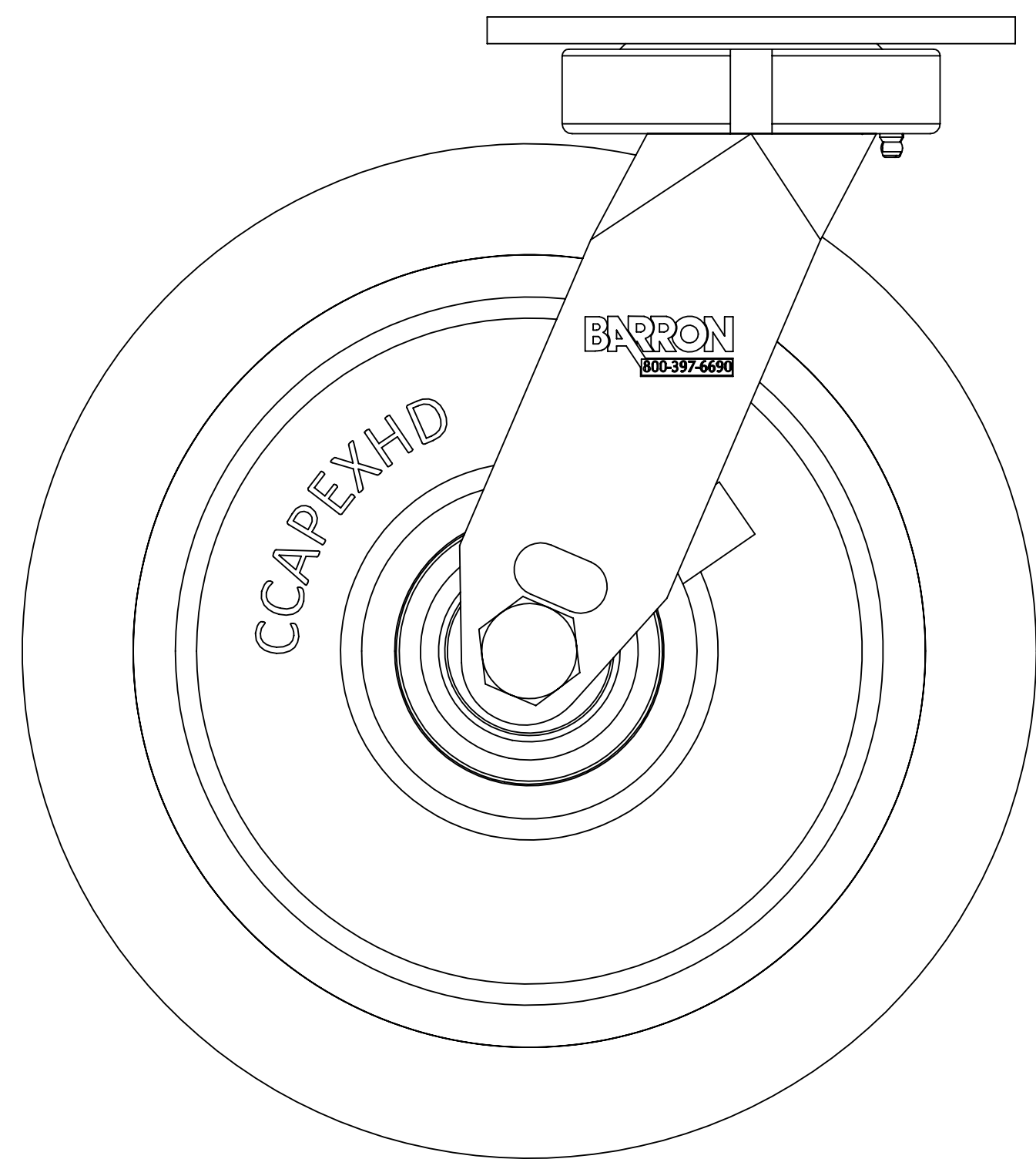
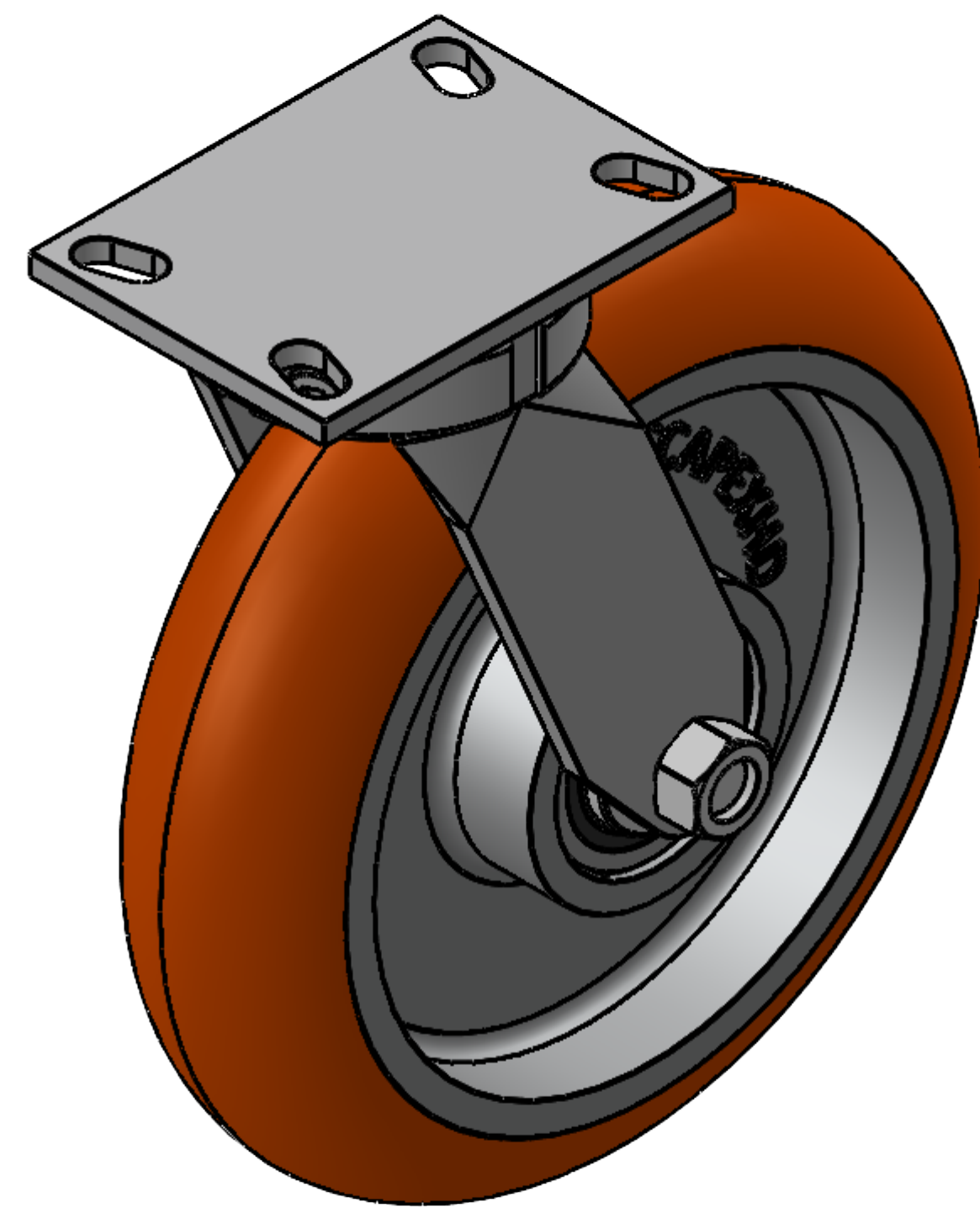
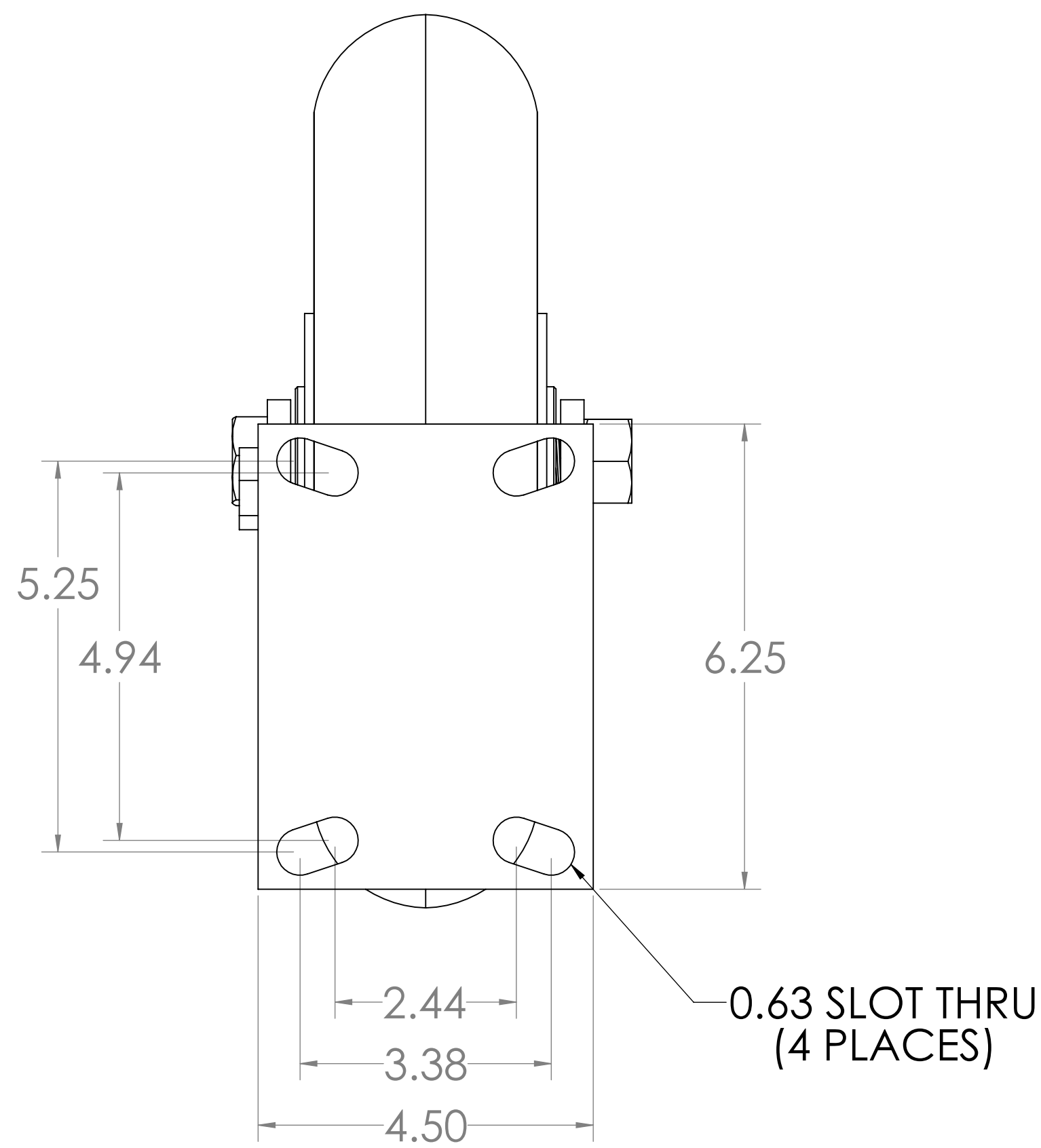
C

B

B

A

A



PROPRIETARY AND CONFIDENTIAL  
THE INFORMATION CONTAINED IN THIS  
DRAWING IS THE SOLE PROPERTY OF CASTER  
CONNECTION. ANY REPRODUCTION IN PART  
OR AS A WHOLE WITHOUT THE WRITTEN  
PERMISSION OF CASTER CONNECTION IS  
PROHIBITED.

UNLESS OTHERWISE SPECIFIED:  
DIMENSIONS ARE IN INCHES  
TOLERANCES:  
FRACTIONAL:  $\pm 1/8$   
ANGULAR:  $\pm 1$   
TWO PLACE DECIMAL:  $\pm .1$   
THREE PLACE DECIMAL:  $\pm .005$

BARRON EQUIPMENT COMPANY INC.  
4710 N Brady St, Davenport, IA 52806

Phone: (800)-397-6690

Fax: (563)-391-1052

Web: barroneq.com

Projection:



TITLE: 70.123.51.RAPB

DESCRIPTION: 12" CC Apex HD Kingpinless Swivel Caster

DRAWN: J.Green

DATE: 3/27/2020

WEIGHT: 37.61 LBS

CHECKED: S. Saad

SCALE: 1:1.75

SHEET: 1 OF 1

8

7

6

5

4

3

2

1