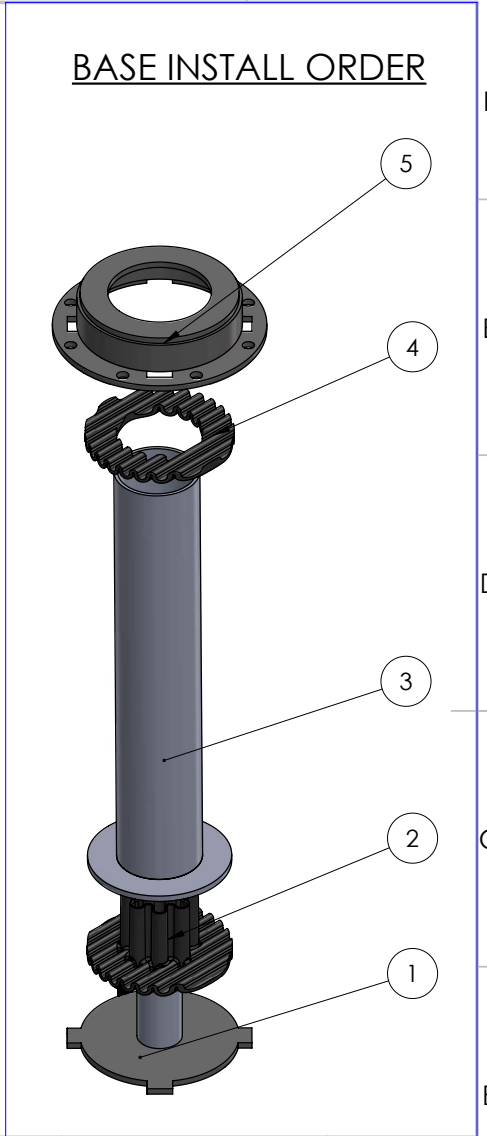
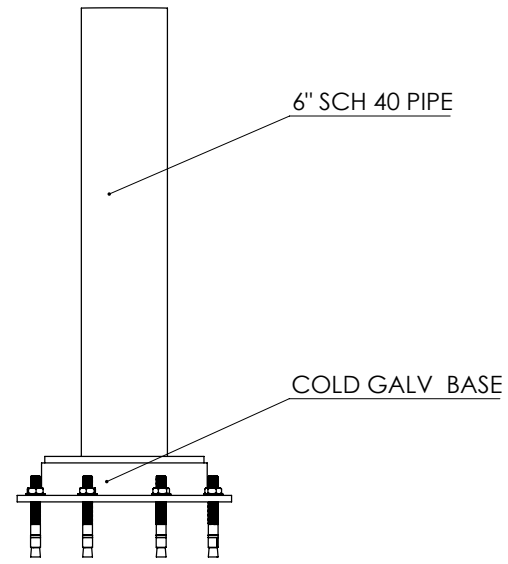


WRITE IN DESIRED HEIGHT (INCHES):



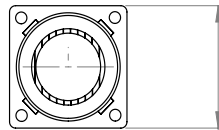
IMPACT ABSORBING BASE
 PROTECTS CONCRETE AND
 EQUIPMENT DURING IMPACTS

CUSTOMER SIGNATURE

UNLESS OTHERWISE SPECIFIED: DIMENSIONS ARE IN INCHES SURFACE FINISH: TOLERANCES: LINEAR: ANGULAR:				FINISH:		DEBURR AND BREAK SHARP EDGES	
DRAWN	NAME	SIGNATURE	DATE			TITLE:	
CHK'D						6" BOUNCE BACK BOLLARD	
APP'V'D					DWG NO.		
MFG							
Q.A				MATERIAL:			
				WEIGHT:		SCALE:1:10	REVISION
							A3
						SHEET 1 OF 1	



8 7 6 5 4 3 2 1



TOP VIEW

9.75

4" SCH 40 PIPE

UP TO 48"

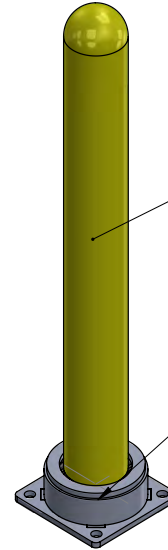
WRITE IN DESIRED HEIGHT (INCHES):

DEFLECTS UP TO 18 DEGREES

FRONT VIEW

IMPACT ABSORBING BASE

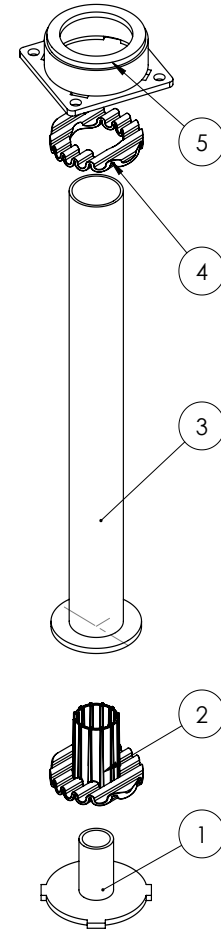
PROTECTS CONCRETE AND EQUIPMENT DURING IMPACT



4" SCH 40 PIPE W/SLEEVE

COLD GALV BASE OR GALVANIZED UNIT

BASE INSTALL ORDER



CUSTOMER SIGNATURE

UNLESS OTHERWISE SPECIFIED:
DIMENSIONS ARE IN INCHES
SURFACE FINISH:
TOLERANCES:
LINEAR:
ANGULAR:

FINISH:
COLD GALV SPAY OR GALVANIZED BASE

DEBURR AND BREAK SHARP EDGES

DO NOT SCALE DRAWING

REVISION



THIS DRAWING AND ALL THE INFORMATION THEREON IS THE PROPERTY OF THE IDEAL SHIELD, IS CONFIDENTIAL AND MUST NOT BE MADE PUBLIC, NOR COPIED, NOR USED, TO THE DISADVANTAGE OF SAID IDEAL SHIELD AND IS SUBJECT TO RETURN ON DEMAND
COPYRIGHT 2003
IDEAL SHIELD

	NAME	SIGNATURE	DATE			
DRAWN						
CHK'D						
APP'VD						
MFG						
Q.A						
				MATERIAL:		
				WEIGHT:		

TITLE:
4" BOUCE BACK BOLLARD

DWG NO.

A3

SCALE:1:10

SHEET 1 OF 1

8 7 6 5 4 3 2 1