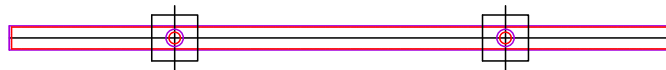
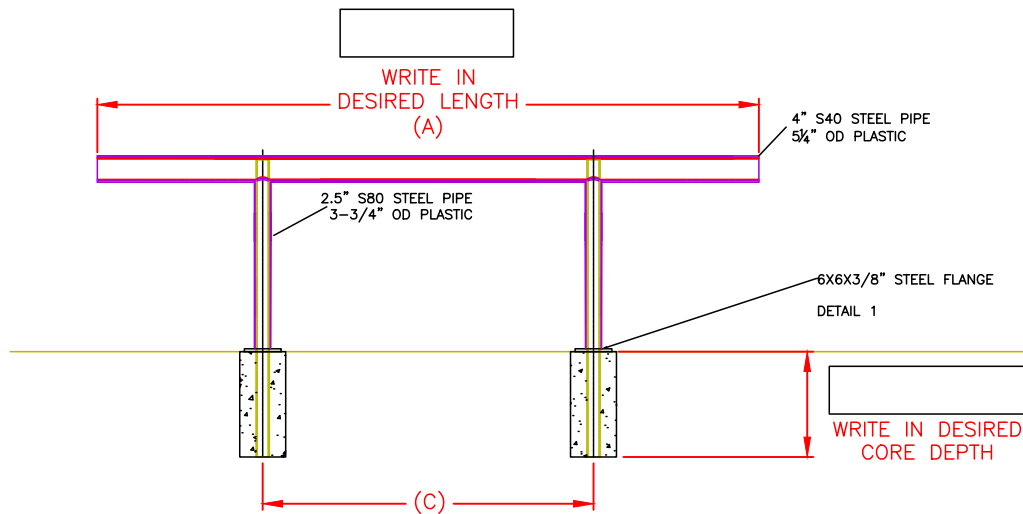


CORED ONE LINE STANDARD GUARDRAIL

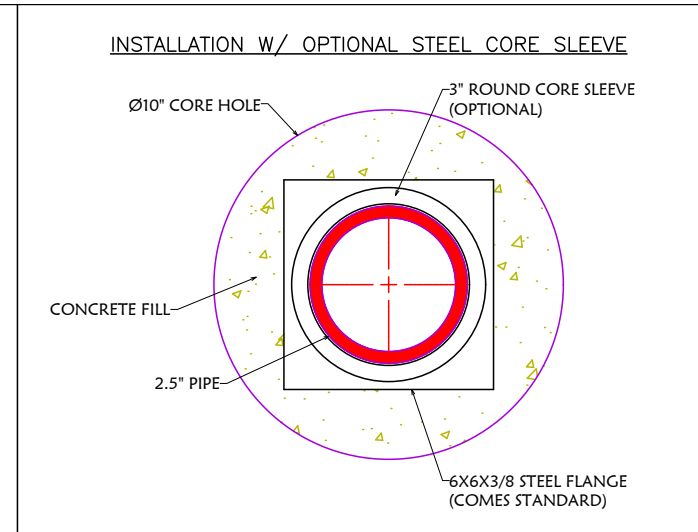
ONE LINE STANDARD GUARDRAIL SIZE CHART		
STANDARD LENGTH (A)	STANDARD HEIGHT (B)	POST TO POST LENGTH (C)
4'-0"	14.75", 27", 36", 42"	2'-0"
6'-0"	14.75", 27", 36", 42"	3'-0"
8'-0"	14.75", 27", 36", 42"	4'-0"
10'-0"	14.75", 27", 36", 42"	5'-0"
12'-0"	14.75", 27", 36", 42"	6'-0"
CUSTOM	CUSTOM	(C)=(A)/2



TOP VIEW

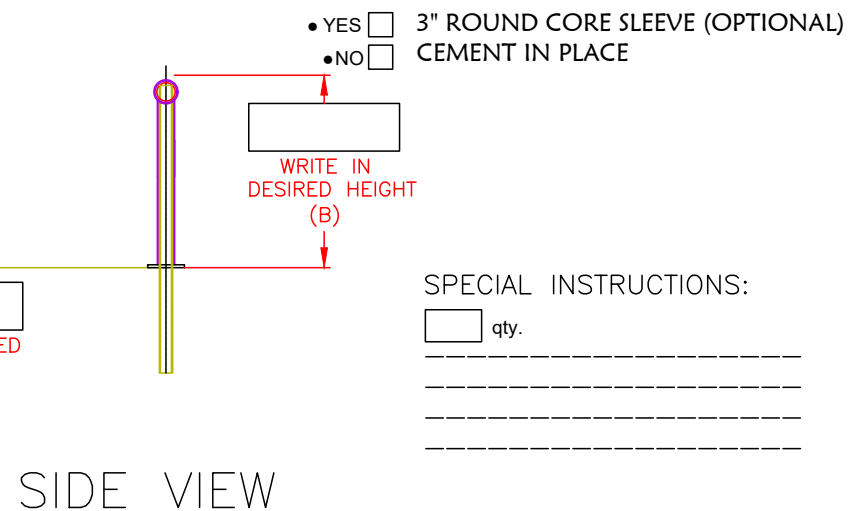


FRONT VIEW



INSTALLATION:
FOR INSTALLATION SET PRODUCT IN AT LEAST 12"
INCH DEEP HOLE AND FILL WITH CONCRETE

DETAIL 1



SIDE VIEW

SPECIAL INSTRUCTIONS:

qty. _____

THIS DRAWING AND ALL THE INFORMATION THEREON IS THE PROPERTY OF THE IDEAL SHIELD. IS CONFIDENTIAL AND MUST NOT BE MADE PUBLIC, NOR COPIED, NOR USED, TO THE DISADVANTAGE OF SAID IDEAL SHIELD AND IS SUBJECT TO RETURN ON DEMAND.

NO.	REVISIONS	DATE	APPROVED

BARRON
ENGINEERING CONSULTING DESIGN
OVERHEAD DOORS

4710 N Brady St,
Davenport, IA 52806

PROJECT _____

CUSTOMER _____

APPROVED BY: _____

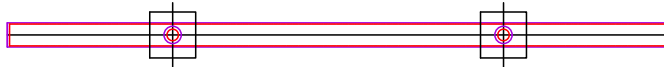
DESCRIPTION
BARRON STANDARD
DUTY GUARDRAIL
CORED

DRAWN BY: DP	APPROVED BY:	DATE:
PROJECT NO.:	SCALE:	
PRICE:	DRAWING NO.:	
MATERIAL: STEEL & HDPE PLASTIC	SHEET 1 OF 1	

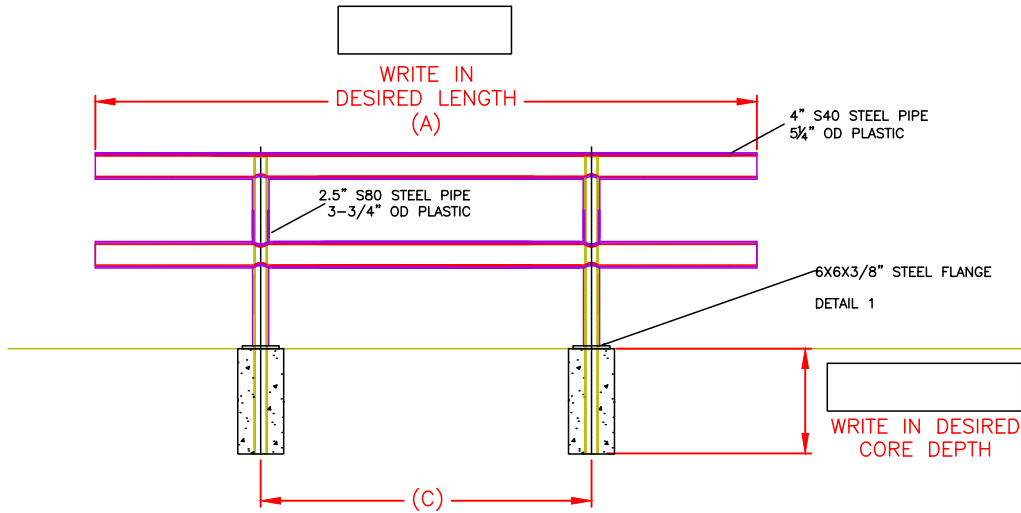
***SIGNATURE REQUIRED FOR SUBMITTAL**

CORED TWO LINE STANDARD GUARDRAIL

TWO LINE STANDARD GUARDRAIL SIZE CHART		
STANDARD LENGTH (A)	STANDARD HEIGHT (B)	POST TO POST LENGTH (C)
4'-0"	27",36",42"	2'-0"
6'-0"	27",36",42"	3'-0"
8'-0"	27",36",42"	4'-0"
10'-0"	27",36",42"	5'-0"
12'-0"	27",36",42"	6'-0"
CUSTOM	CUSTOM	(C)=(A)/2

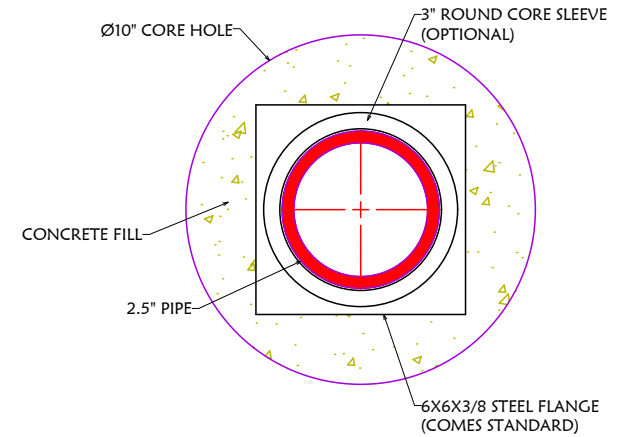


TOP VIEW



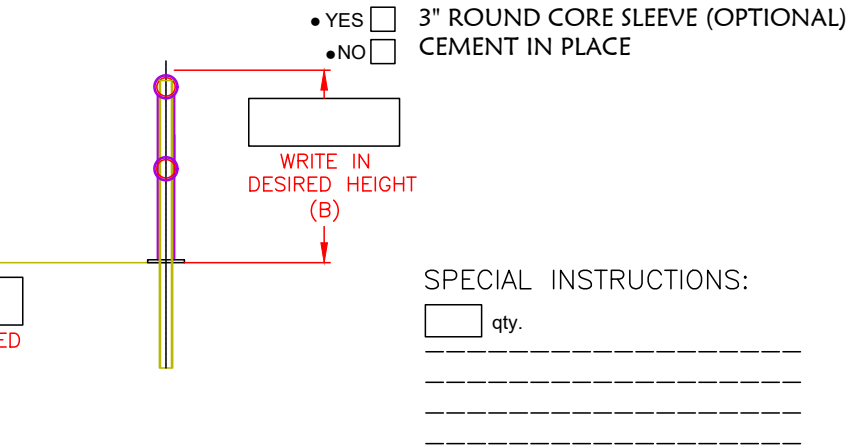
FRONT VIEW

INSTALLATION W/ OPTIONAL STEEL CORE SLEEVE



INSTALLATION:
FOR INSTALLATION SET PRODUCT IN AT LEAST 12" INCH DEEP HOLE AND FILL WITH CONCRETE

DETAIL 1



SIDE VIEW

SPECIAL INSTRUCTIONS:

qty.

THIS DRAWING AND ALL THE INFORMATION THEREON IS THE PROPERTY OF THE IDEAL SHIELD. IS CONFIDENTIAL AND MUST NOT BE MADE PUBLIC, NOR COPIED, NOR USED, TO THE DISADVANTAGE OF SAID IDEAL SHIELD AND IS SUBJECT TO RETURN ON DEMAND.

COPYRIGHT 2003 IDEAL SHIELD

NO.	REVISIONS	DATE	APPROVED

MANUFACTURED BY IDEAL SHIELD



4710 N Brady St,
Davenport, IA 52806

PROJECT

CUSTOMER

APPROVED BY:

DESCRIPTION

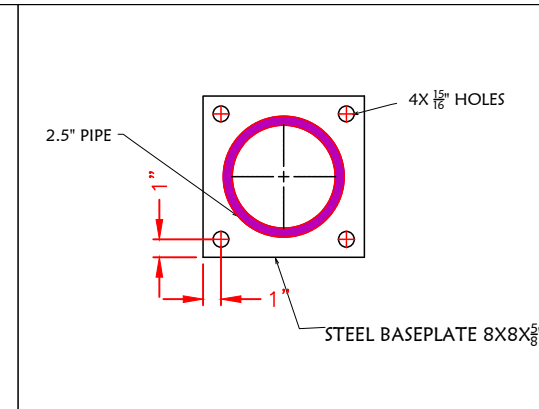
BARRON STANDARD
DUTY GUARDRAIL
CORED

DRAWN BY: DP	APPROVED BY:	DATE:
PROJECT NO.:		SCALE:
PRICE:		DRAWING NO.:
MATERIAL: STEEL & HDPE PLASTIC	SHEET 1	OF 1

***SIGNATURE REQUIRED FOR SUBMITTAL**

PLATED TWO LINE STANDARD GUARDRAIL

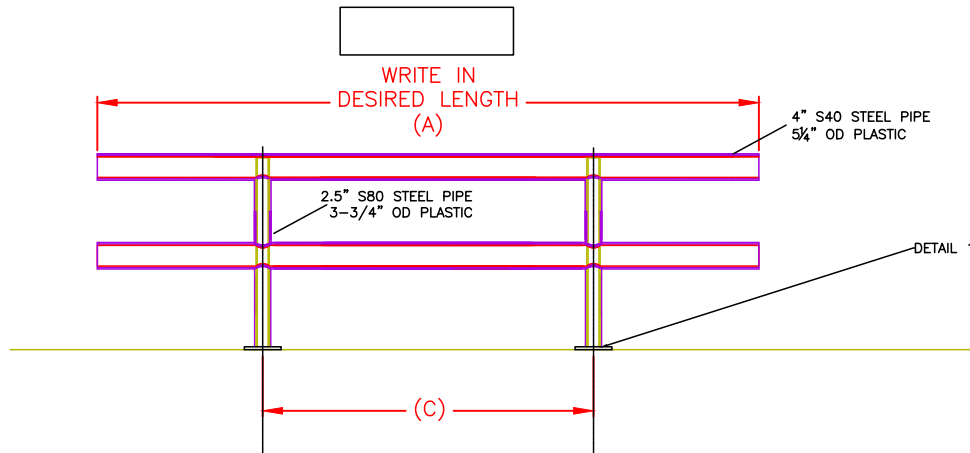
TWO LINE STANDARD GUARDRAIL SIZE CHART		
STANDARD LENGTH (A)	STANDARD HEIGHT (B)	POST TO POST LENGTH (C)
4'-0"	27",36",42"	2'-0"
6'-0"	27",36",42"	3'-0"
8'-0"	27",36",42"	4'-0"
10'-0"	27",36",42"	5'-0"
12'-0"	27",36",42"	6'-0"
CUSTOM	CUSTOM	(C)=(A)/2



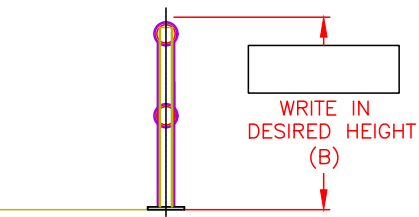
DETAIL 1



TOP VIEW



FRONT VIEW



SIDE VIEW

SPECIAL INSTRUCTIONS:

qty.

THIS DRAWING AND ALL THE INFORMATION THEREON IS THE PROPERTY OF THE IDEAL SHIELD. IS CONFIDENTIAL AND MUST NOT BE MADE PUBLIC, NOR COPIED, NOR USED, TO THE DISADVANTAGE OF SAID IDEAL SHIELD AND IS SUBJECT TO RETURN ON DEMAND.

NO.	REVISIONS	DATE	APPROVED

BARRON
OVERHEAD DOORS
 4710 N Brady St,
 Davenport, IA 52806

PROJECT

CUSTOMER

APPROVED BY:

DESCRIPTION

BARRON STANDARD
 DUTY GUARDRAIL
 PLATED

DRAWN BY: DP	APPROVED BY:	DATE:
PROJECT NO.:		SCALE:
PRICE:		DRAWING NO.:
MATERIAL: STEEL & HDPE PLASTIC	SHEET 1	OF 1

***SIGNATURE REQUIRED FOR SUBMITTAL**