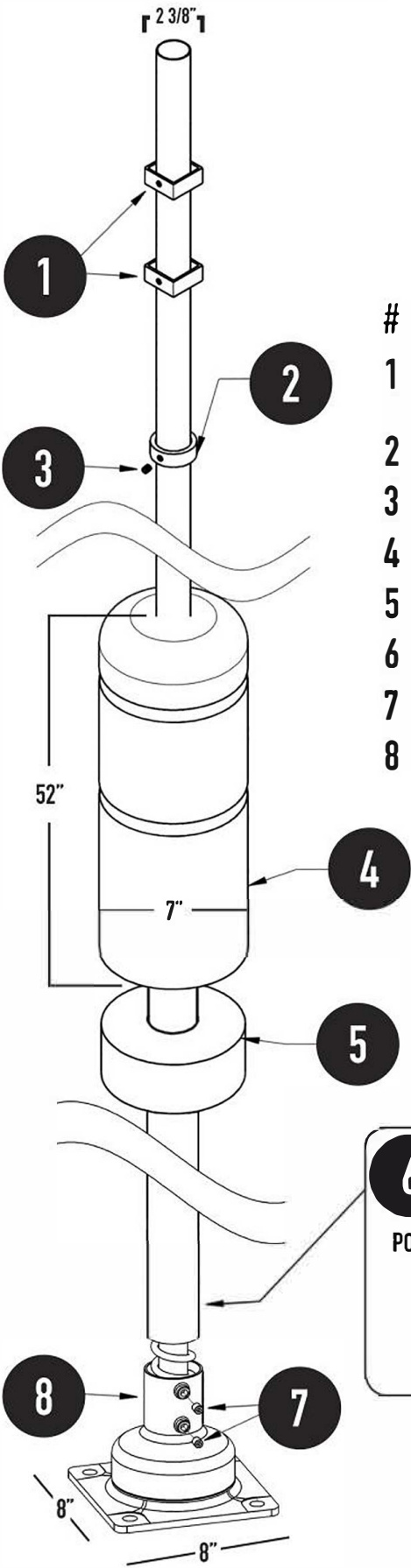


# ASSEMBLY GUIDE & PARTS LIST



#	Quantity	Part Number	Dimensions & Description
1	1	RE-SB	<b>Double Sided Sign Bracket Kit</b> (Includes 2 Sign Brackets, 4 Set Screws, and 4 Lock Nuts)
2	1	RE-CK3	<b>3" Round Collar Ring</b>
3	1	73278	<b>Set Screw for Collar</b>
4	1	RE-BC52	<b>52" x 7" Bollard Cover</b>
5	1	RE-FR-7	<b>7" Foam Spacer Ring</b>
6	1	RE-XL-#P	<b>2 3/8" Diameter Galv. Post - .055" Wall</b>
7	2	1139864	<b>5/16" - 18 x 1/2" Set Screw</b>
8	1	A-XL-SK	<b>8" x 8" Base &amp; Spring Assembly</b>

**CHOICE OF CONCRETE OR ASPHALT ANCHORING**  
REFER TO THE NEXT PAGE FOR ANCHORING INSTRUCTIONS

**6 CHOICE OF POST**

POST LENGTH	ASSEMBLED HEIGHT
75"	78"
99" →	102"
105"	108"



**+ SIGN  
+ BOLLARD**

**Heavy Duty  
Flexpost Bollard**