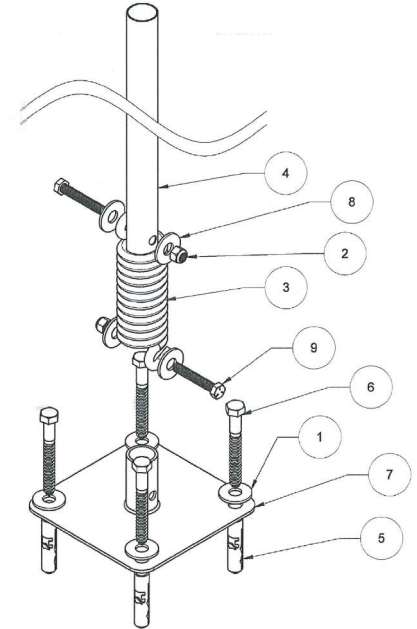


FLEX BOLLARD : STANDARD SIGNPOST ASPHALT MODEL

ITEM NUMBER	QUANTITY	PART NUMBER	PART NAME	REVISION	COMMENT
1	4	33016	.625 FLAT WASHER ZINC		
2	2	37030	HEX LOCKNUT ZINC		
3	1	RE-SK	TORSION SPRING		
4	1	RE-6P	6 FT. POST		
5	4	10240-08176	MUNGO PLUG		
6	4	22473	5 IN. LAG SCREW ZINC		
7	1	RE-BP	BASE PLATE		
8	4	33012	.5 FLAT WASHER ZINC		
9	2	13824	3 IN. HEX BOLT ZINC		



www.barroneq.com - sales@barroneq.com - 4710 N Brady St, Davenport, IA 52806 - (800) 397-6690

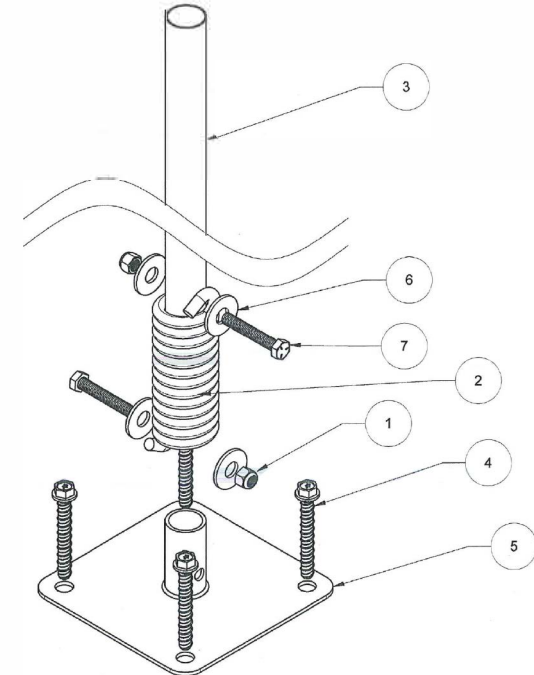
THIS DRAWING AND ALL THE INFORMATION THEREON IS THE PROPERTY OF THE IDEAL SHIELD. IS CONFIDENTIAL AND MUST NOT BE MADE PUBLIC, NOR COPIED, NOR USED, TO THE DISADVANTAGE OF SAID IDEAL SHIELD AND IS SUBJECT TO RETURN ON DEMAND.
COPYRIGHT 2019, IDEAL SHIELD®

NO.	REVISIONS	DATE	APPROVED

PROJECT	CUSTOMER	DESCRIPTION	DRAWN BY:	APPROVED BY:	DATE:
FLEX BOLLARD: ASPHALT					

STANDARD FLEXIBLE BOLLARD BASE PLATE-CONCRETE

ITEM NUMBER	QUANTITY	PART NUMBER	PART NAME	REVISION	COMMENT
1	2	37030	HEX LOCKNUT-ZINC		
2	1	RE-SK	TORSION SPRING		
3	1	R;E-6P	6 FT POST		
4	4	2140273	4 INCH WEDGE BOLT ZINC		
5	1	RE-BP	BASE PLATE		
6	4	33012	.5 FLAT WASHER ZINC		
7	2	13824	3 INCH HEX BOLT ZINC		



www.barroneq.com - sales@barroneq.com - 4710 N Brady St, Davenport, IA 52806 - (800) 397-6690

THIS DRAWING AND ALL THE INFORMATION THEREON IS THE PROPERTY OF THE IDEAL SHIELD. IS CONFIDENTIAL AND MUST NOT BE MADE PUBLIC, NOR COPIED, NOR USED, TO THE DISADVANTAGE OF SAID IDEAL SHIELD AND IS SUBJECT TO RETURN ON DEMAND.

COPYRIGHT 2019, IDEAL SHIELD®

NO.	REVISIONS	DATE	APPROVED

PROJECT	CUSTOMER	DESCRIPTION	DRAWN BY:	APPROVED BY:	DTC: