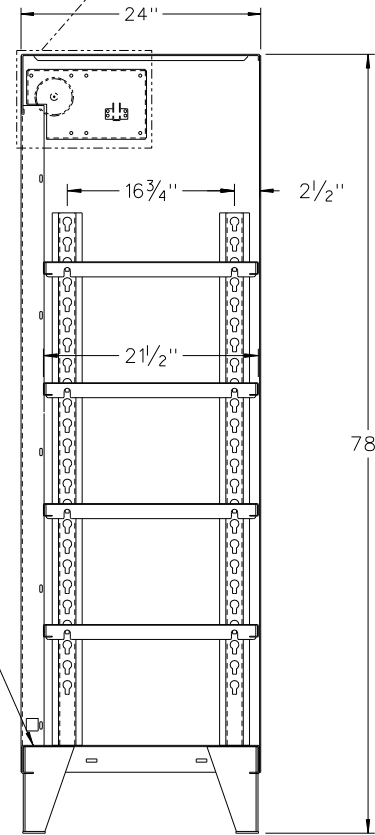
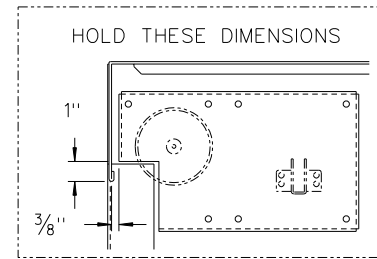


ROLL UP DOOR SHOWN OPEN



SECTION "A-A"

S.O.: _____
 QTY.: _____
 FINISH: _____

| REV. | DATE | DESCRIPTION |
|------|------|-------------|
| | | |
| | | |
| | | |

THIS DOCUMENT CONTAINS PROPRIETARY INFORMATION. DUPLICATION OR DISCLOSURE IS PROHIBITED WITHOUT THE EXPRESSED WRITTEN CONSENT OF FABRICATED METALS CORP.

TOLERANCES: UNLESS OTHERWISE SPECIFIED
 PLATE/PIPE +/- 1/16"
 MACHINING +/- .005"
 ANGLES +/- 1 DEG.

BARRON
EQUIPMENT COMPANY INC.
OVERHEAD DOORS

DESCRIPTION: **36-RUDD-244**

| | |
|-----------|----------|
| DRAWN BY: | D.FARMER |
| APPROVED: | |
| SCALE: | NTS |
| ECN: | |
| DATE: | 06/25/15 |

| | |
|----------|--------------------|
| PART NO. | |
| DWG. NO. | RU-15526-00 |
| SHEET OF | |