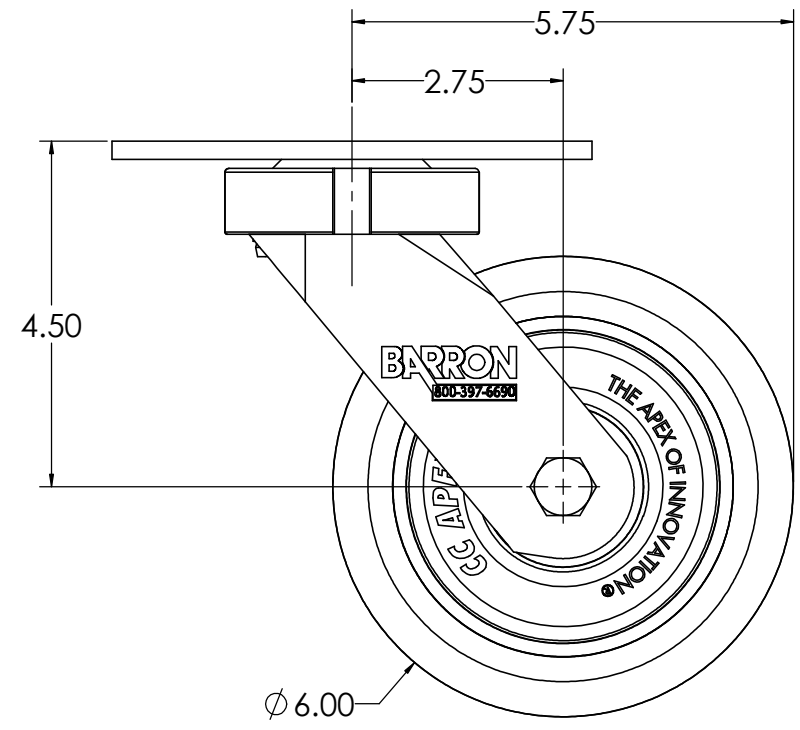
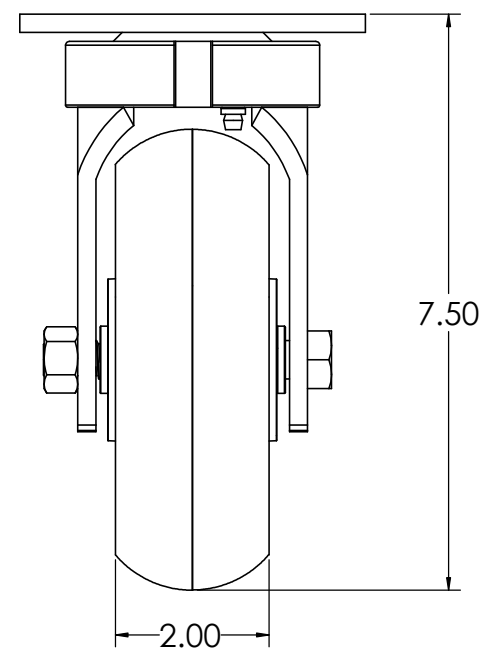
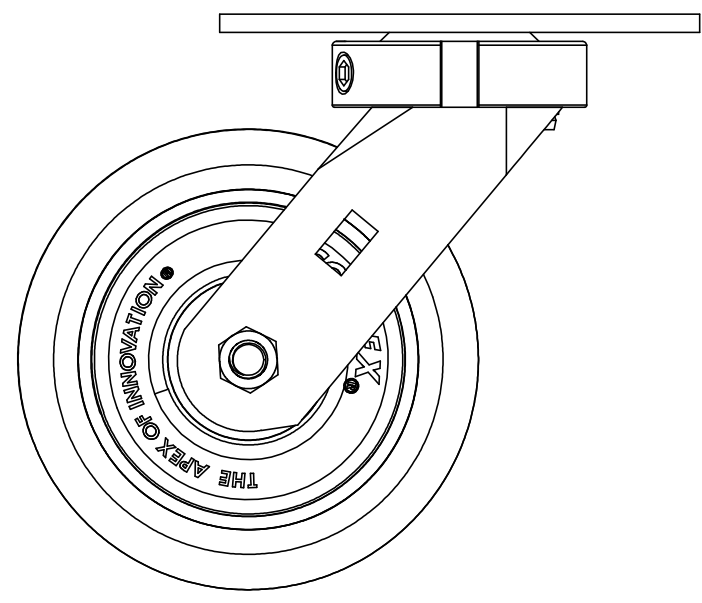
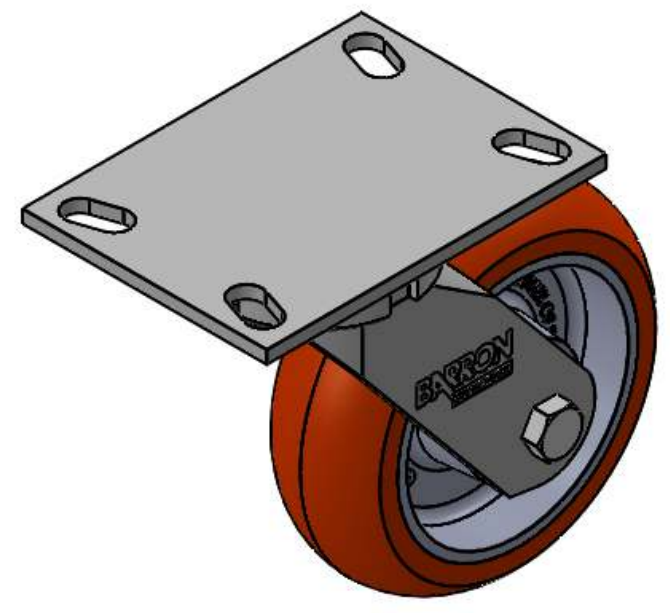
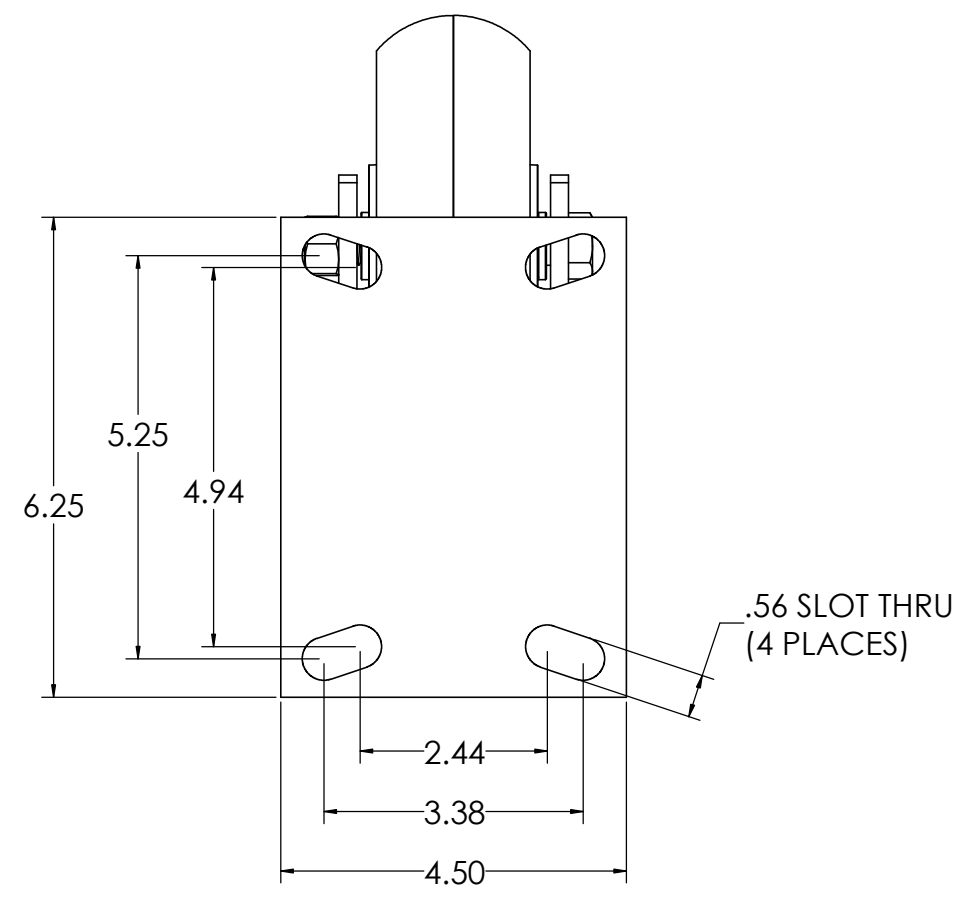


8 7 6 5 4 3 2 1

D  
C  
B  
A

D  
C  
B  
A



<b>PROPRIETARY AND CONFIDENTIAL</b> THE INFORMATION CONTAINED IN THIS DRAWING IS THE SOLE PROPERTY OF CASTER CONNECTION. ANY REPRODUCTION IN PART OR AS A WHOLE WITHOUT THE WRITTEN PERMISSION OF CASTER CONNECTION IS PROHIBITED.	UNLESS OTHERWISE SPECIFIED: DIMENSIONS ARE IN INCHES  TOLERANCES: FRACTIONAL: $\pm 1/8$ ANGULAR: $\pm 1$ TWO PLACE DECIMAL: $\pm .01$ THREE PLACE DECIMAL: $\pm .005$	<b>BARRON EQUIPMENT COMPANY INC.</b> 4710 N Brady St, Davenport, IA 52806		<b>TITLE:</b> 60.62.51.APB <b>DESCRIPTION:</b> 6" CC Apex Kingpinless Extended-Lead Swivel Caster		
		Phone: (800)-397-6690	Fax: (563)-391-1052			<b>DRAWN:</b> K.Becker
		Web: barroneq.com	Projection:	<b>CHECKED:</b> K.Becker		<b>SCALE:</b> 1:1.25

8 7 6 5 4 3 2 1