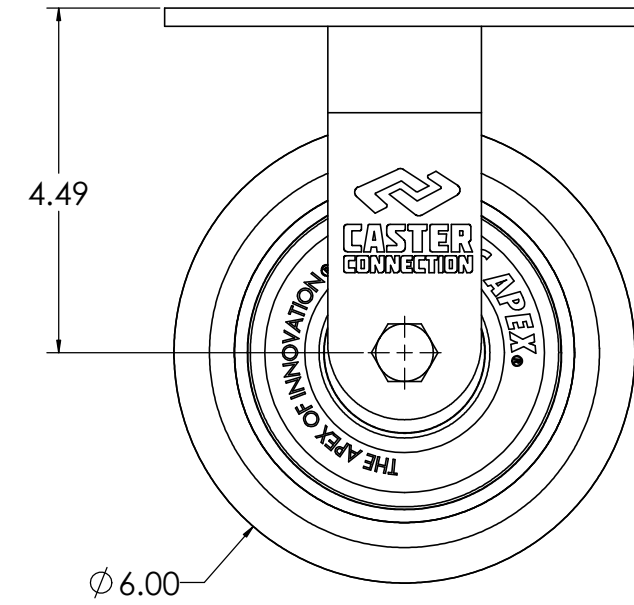
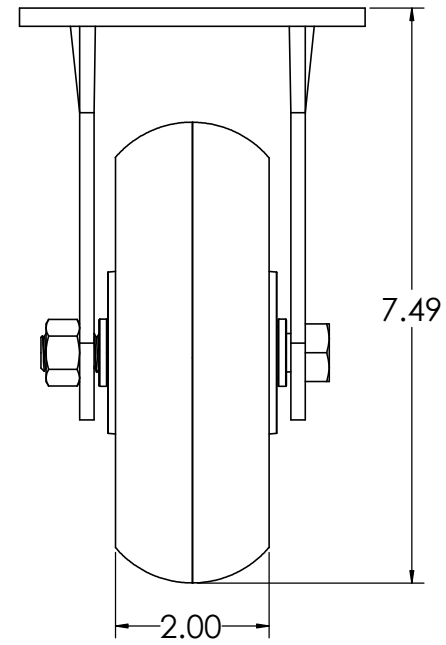
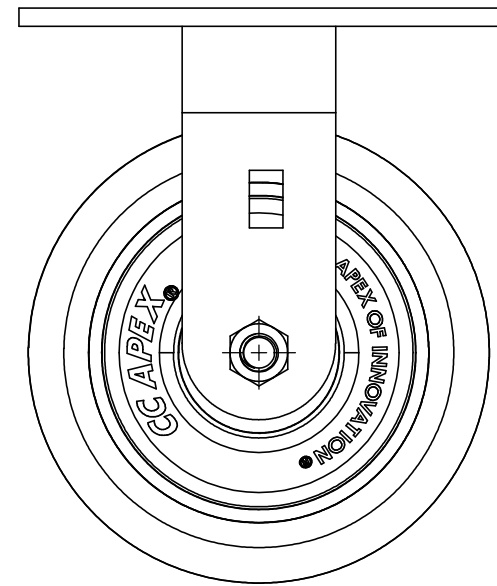
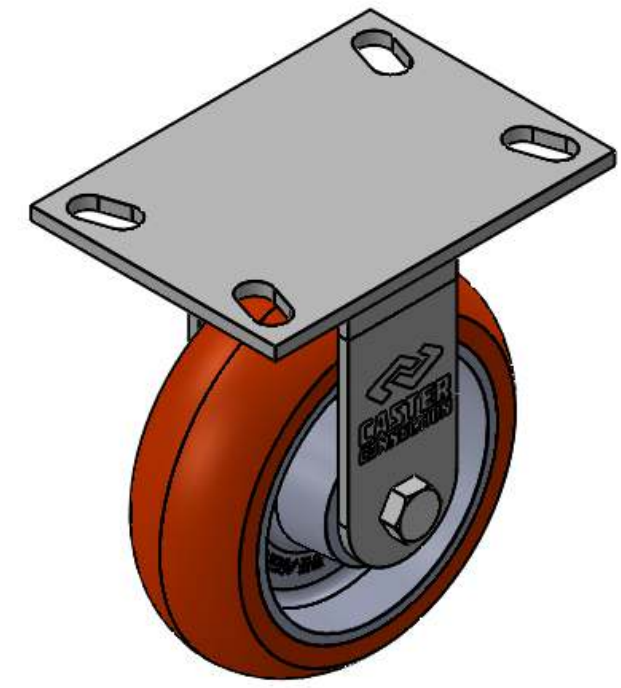
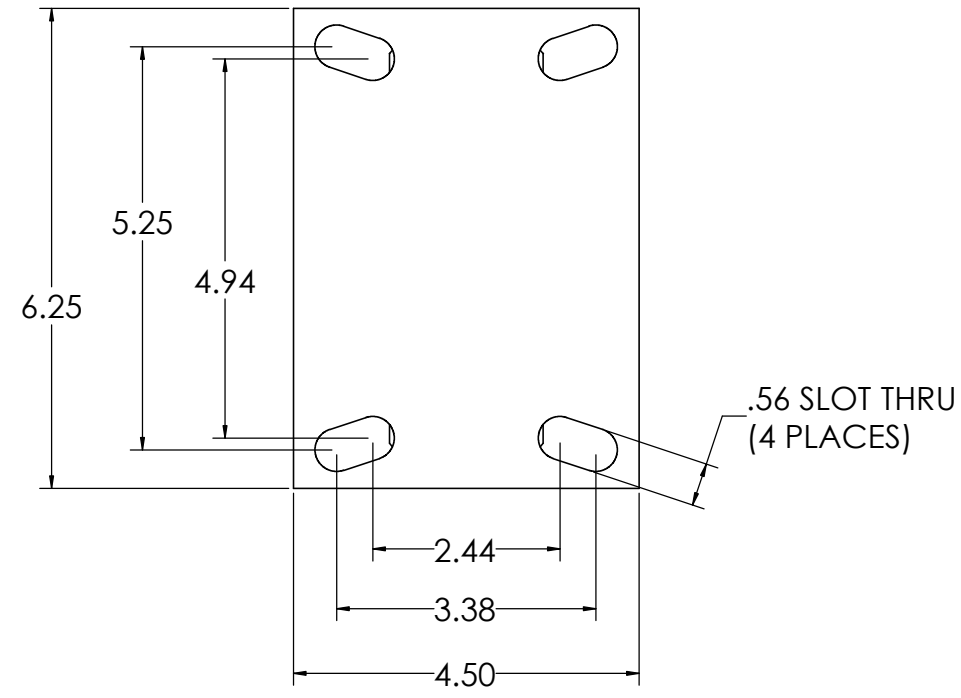


8 7 6 5 4 3 2 1

D
C
B
A



PROPRIETARY AND CONFIDENTIAL THE INFORMATION CONTAINED IN THIS DRAWING IS THE SOLE PROPERTY OF CASTER CONNECTION. ANY REPRODUCTION IN PART OR AS A WHOLE WITHOUT THE WRITTEN PERMISSION OF CASTER CONNECTION IS PROHIBITED.	UNLESS OTHERWISE SPECIFIED: DIMENSIONS ARE IN INCHES TOLERANCES: FRACTIONAL: ±1/8 ANGULAR: ±1 TWO PLACE DECIMAL: ±.01 THREE PLACE DECIMAL: ±.005	BARRON EQUIPMENT COMPANY INC. 4710 N Brady St, Davenport, IA 52806		TITLE: 61.62.51.APB DESCRIPTION: 6" CC Apex Rigid Caster	
		Phone: (800)-397-6690 Web: barroneq.com	Fax: (563)-391-1052 Projection:	DRAWN: K.Becker CHECKED: K.Becker	DATE: 1/15/2024 SCALE: 1:1.25

8 7 6 5 4 3 2 1