

Project: _____

Item: _____

Quantity: _____

Lug Dolly & Lugs

- Storage



99251

Lightweight, stackable one-piece aluminum sheet design with open corners for easy cleaning. Two-inch (2") sides bent upward to contain product.

- Constructed out of .080" aluminum sheet.
- Equipped with four 3" x 1¼" plate type swivel casters bolted directly to the sheet.
- Five-Year Guarantee against workmanship and material defects.
- Lifetime Guarantee against rust and corrosion.

► Lug Storage Dolly & Lugs

Model No.	Size W-H-D	With Handle	Ship Lbs.
99251	17" x 6" x 26"	No	13

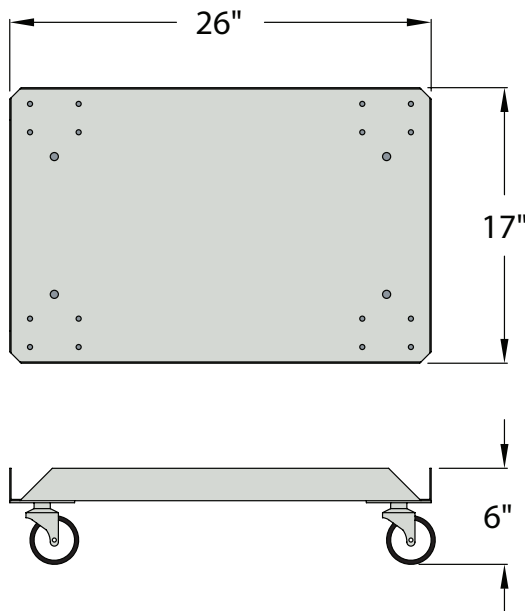
Four 3" x 1¾" plate type swivel casters.

Not NSF Certified.

Model No.	Size W-H-L	Color	Ship Lbs.
RGY16825	15½" x 8¾" x 25"	gray	4
0361	Lid For #RGY16825	gray	1

Food Approved Molded Poly • Formed Cross-Stacking Bottom'

Not NSF Certified.



Lugs & Lids Excluded From Guarantee.

Barron Equipment and Overhead Doors || Barroneq.com || Made in the USA

4710 N Brady St • Davenport, IA 52806 || Phone: (800) 397-6690 Davenport • (877) 262-6021 Des Moines || Fax: (563) 391-1321

This information is for general sales and engineering use only. Barron Equipment reserves the right to modify or make changes at any time, without notice, to materials and specifications.