

Project: _____

Item: _____

Quantity: _____

Can Racks 1/2-Size



1235



1225



1236NT



1226NT



1236



1226



1237



1227

- Each unit boasts heavy gauge aluminum construction with the most welds in the industry, ensuring years of strength and durability.
- Easily loaded and unloaded with one hand, providing automatic stock rotation when loaded from the rear.
- Five-Year Guarantee against material defects and workmanship.
- Lifetime Guarantee against rust and corrosion.
- NSF Certified.



1255
Solid Shelf Trays



Barron Equipment and Overhead Doors || Barroneq.com || Made in the USA 
4710 N Brady St • Davenport, IA 52806 || Phone: (800) 397-6690 Davenport • (877) 262-6021 Des Moines || Fax: (563) 391-1321

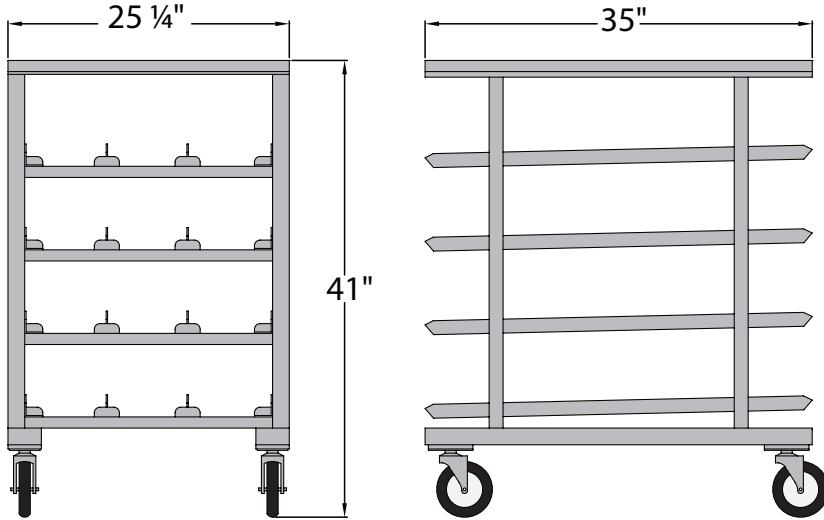
This information is for general sales and engineering use only. Barron Equipment reserves the right to modify or make changes at any time, without notice, to materials and specifications.

Project: _____

Item: _____

Quantity: _____

Can Racks 1/2-Size



1225

MATERIAL:

- Base is constructed of 1 1/2" x 2 3/4" x .070" wall tubing.
- Can guides are constructed of 1 1/4" x 2 1/4" x .100" wall T-Bar.
- Optional tops are available, such as stainless steel, aluminum, and poly top.

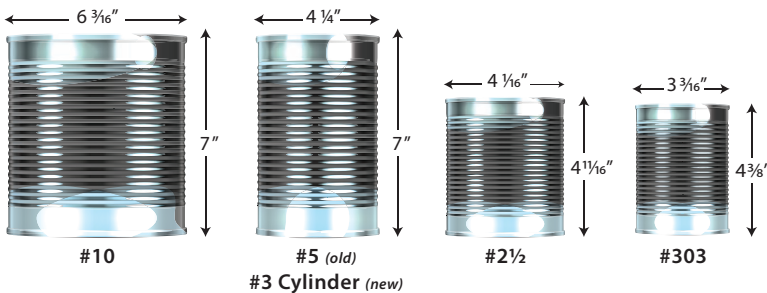
CASTERS:

- Equipped with four 5" plate type casters, two with swivel and brake and two rigid.

GUARANTEE:

- Lifetime Guarantee against rust and corrosion.
- Five-Year Guarantee against workmanship and material defects.

NSF Certified.



► Can Rack • 1/2-Size

Model No.	Size W-H-D	Can Cap.		Top Style	Ship Lbs.
		#10	#5		
1/2-Size - Can Rack (41" Tall)					
1225	25" x 41" x 35"	72	96	Stainless	73
1226	25" x 41" x 35"	72	96	Aluminum	60
1226NT	25" x 41" x 35"	72	96	None	50
1227	25" x 41" x 35"	72	96	Poly	72
Counter Height - Can Rack (35" Tall)					
1235	25" x 35" x 35"	54	72	Stainless	68
1236	25" x 35" x 35"	54	72	Aluminum	57
1236NT	25" x 35" x 35"	54	72	None	44
1237	25" x 35" x 35"	54	72	Poly	69

Template for mounting Edlund No.1 Can Opener included.

Four 5" plate type casters, two swivel w/ brake, two rigid.

Options: Options may not be NSF Certified. Contact the factory.

- Prison Package** - add "PP" suffix to model #.
- casters mounted with tamper resistant screws.
- 1255 Solid Shelf Trays (3).**



Barron Equipment and Overhead Doors || Barroneq.com || Made in the USA

4710 N Brady St • Davenport, IA 52806 || Phone: (800) 397-6690 Davenport • (877) 262-6021 Des Moines || Fax: (563) 391-1321

This information is for general sales and engineering use only. Barron Equipment reserves the right to modify or make changes at any time, without notice, to materials and specifications.