

Project: _____

Item: _____

Quantity: _____

Can Racks 1/2-Size



1235



1225



1236NT



1226NT



1236



1226



1237



1227

- Each unit boasts heavy gauge aluminum construction with the most welds in the industry, ensuring years of strength and durability.
- Easily loaded and unloaded with one hand, providing automatic stock rotation when loaded from the rear.
- Five-Year Guarantee against material defects and workmanship.
- Lifetime Guarantee against rust and corrosion.
- NSF Certified.



1255
Solid Shelf Trays

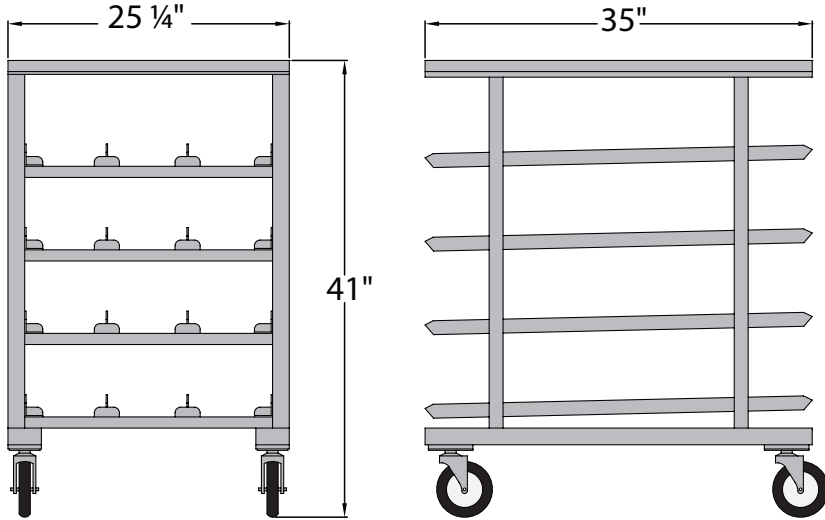


Project: _____

Item: _____

Quantity: _____

Can Racks 1/2-Size



1225

MATERIAL:

- Base is constructed of 1 1/2" x 2 3/4" x .070" wall tubing.
- Can guides are constructed of 1 1/4" x 2 1/4" x .100" wall T-Bar.
- Optional tops are available, such as stainless steel, aluminum, and poly top.

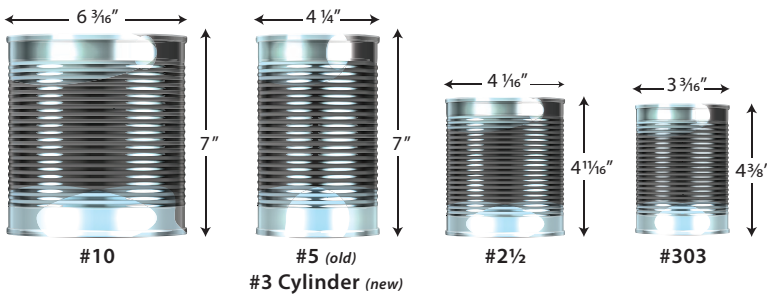
CASTERS:

- Equipped with four 5" plate type casters, two with swivel and brake and two rigid.

GUARANTEE:

- Lifetime Guarantee against rust and corrosion.
- Five-Year Guarantee against workmanship and material defects.

NSF Certified.



► Can Rack • 1/2-Size

Model No.	Size W-H-D	Can Cap.		Top Style	Ship Lbs.
		#10	#5		
1/2-Size - Can Rack (41" Tall)					
1225	25" x 41" x 35"	72	96	Stainless	73
1226	25" x 41" x 35"	72	96	Aluminum	60
1226NT	25" x 41" x 35"	72	96	None	50
1227	25" x 41" x 35"	72	96	Poly	72
Counter Height - Can Rack (35" Tall)					
1235	25" x 35" x 35"	54	72	Stainless	68
1236	25" x 35" x 35"	54	72	Aluminum	57
1236NT	25" x 35" x 35"	54	72	None	44
1237	25" x 35" x 35"	54	72	Poly	69

Template for mounting Edlund No.1 Can Opener included.
Four 5" plate type casters, two swivel w/ brake, two rigid.

Options: Options may not be NSF Certified. Contact the factory.

- Prison Package** - add "PP" suffix to model #.
- casters mounted with tamper resistant screws.
- 1255 Solid Shelf Trays (3).**



Barron Equipment and Overhead Doors || Barroneq.com || Made in the USA

4710 N Brady St • Davenport, IA 52806 || Phone: (800) 397-6690 Davenport • (877) 262-6021 Des Moines || Fax: (563) 391-1321

This information is for general sales and engineering use only. Barron Equipment reserves the right to modify or make changes at any time, without notice, to materials and specifications.