

Project: \_\_\_\_\_

Item: \_\_\_\_\_

Quantity: \_\_\_\_\_

## Wall Shelf - Bus Tub



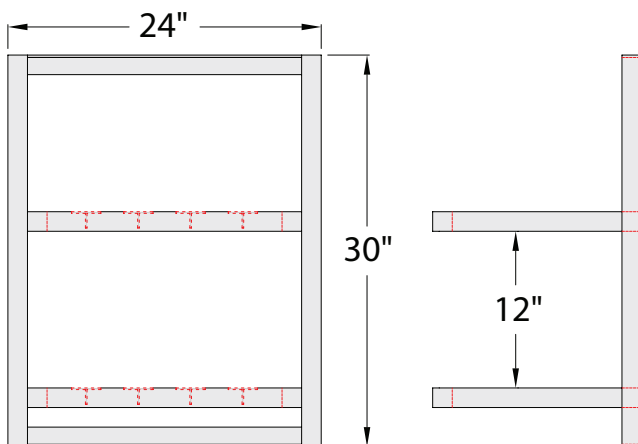
98142

Providing support for bus tubs, this wall-mounted shelf can be installed adjacent to dish machines, sinks or bus stations to streamline dish cleanup. It's made of heavy-duty aluminum that supports the weight of bus tubs and has slatted shelves that allow liquid to drain away freely and air to circulate.

- Constructed of Primary Grade Aluminum.
- Each shelf is constructed of 2¼" x 1¼" x .100" T-Bar.
- Frame is constructed of 1½" x 1½" x .070" tube.
- Five-Year Guarantee against material defects and workmanship.
- Lifetime Guarantee against rust and corrosion.

### ► Bus Tub Wall Shelf

Model No.	Size W-H-D	Number Of Tiers	Shelf Clearance	Ship Lbs.
98272	24" x 30" x 16"	2	12"	22
98301	36" x 30" x 16"	2	12"	24
98213	48" x 30" x 16"	2	12"	35
98142	60" x 30" x 16"	2	12"	45



**Weight Capacity =** Determined by installation method and type of wall



Barron Equipment and Overhead Doors || [Barroneq.com](http://Barroneq.com) || Made in the USA



4710 N Brady St • Davenport, IA 52806 || Phone: (800) 397-6690 Davenport • (877) 262-6021 Des Moines || Fax: (563) 391-1321

This information is for general sales and engineering use only. Barron Equipment reserves the right to modify or make changes at any time, without notice, to materials and specifications.